

Fortress 9000

User's Guide

DOC. NO. : DX3R-OL-E0009A



Copyright © 2000 Aopen Incorporated

All Rights Reserved.

Aopen Fortress 9000

User's Guide

Changes may be made periodically to the information in this publication without obligation to notify any person of such revision or changes. Such changes will be incorporated in new editions of this manual or supplementary documents and publications. This company makes no representations or warranties either expressed or implied, with respect to the contents hereof and specifically disclaims the implied warranties of merchantability or fitness for a particular purpose.

No part of this publication may be reproduced., stored in a retrieval system, or transmitted, in any form or by any means, electronic, mechanical, photocopy, recording, or otherwise, without the prior written permission of Aopen Incorporated.

All brand and product names mentioned in this manual are trademarks and/or registered trademarks of their respective companies.

Important Safety Instructions

1. Read these instructions carefully. Save these instructions for future reference.
2. Follow all warnings and instructions marked on the product.
3. Do not use this product near water.
4. Do not place this product on an unstable cart, stand, or table. The product may fall, causing serious damage to the product.
5. Slots and openings in the cabinet and the back or bottom are provided for ventilation; to ensure reliable operation of the product and to protect it from overheating, these openings must not be blocked or covered. The openings should never block by placing the product on a bed, sofa, rug, or other similar surface. This product should never be placed near or over a radiator or heat register, or in a built-in installation unless proper ventilation is provided.
6. This product should be operated from the type of power indicated on the marking label. If you are not sure of the type of power available, consult your dealer or local power company.
7. This product is equipped with a 3-wire grounding-type plug, a plug having a third (grounding) pin. This plug will only fit into a grounding-type power outlet. This is a safety feature. If you are unable to insert the plug into the outlet, contact your electrician to replace your obsolete outlet. Do not defeat the purpose of the grounding-type plug.
8. Do not allow anything to rest on the power cord. Do not locate this product where persons will

walk on the cord.

9. If an extension cord is used with this product, make sure that the total ampere rating of the equipment plugged into the extension cord does not exceed the extension cord ampere rating. Also, make sure that the total rating of all products plugged into the wall outlet does not exceed 15 amperes.
10. Never push objects of any kind into this product through cabinet slots as they may touch dangerous voltage points or short out parts that could result in a fire or electric shock. Never spill liquid of any kind on the product.
11. Do not attempt to service this product yourself, as opening or removing covers may expose you to dangerous voltage points or other risks. Refer all servicing to qualified service personnel.
12. Unplug this product from the wall outlet and refer servicing to qualified service personnel under the following conditions:
 - a. When the power cord or plug is damaged or frayed
 - b. If liquid has been spilled into the product
 - c. If the product has been exposed to rain or water
 - d. If the product does not operate normally when the operating instructions are followed. Adjust only those controls that are covered by the operating instructions since improper adjustment of other controls may result in damage and will often require

extensive work by a qualified technician to restore the product to normal condition.

- e. If the product has been dropped or the cabinet has been damaged
 - f. If the product exhibits a distinct change in performance, indicating a need for service
13. Replace the battery with the same type as the product's battery we recommend. Use of another battery may present a risk of fire or explosion. Refer battery replacement to a qualified serviceman.
 14. **Warning!** The battery could explode if not handled properly. Do not recharge, disassemble or dispose of it in fire. Keep it away from children and dispose of my used battery promptly.

Use only the proper type of power supply cord set (provided in your keyboard/manual accessories box) for this unit. It should be a detachable type: UL listed/CSA certified, type SVT/SJT, rated 6A 125V minimum, VDE approved or its equivalent. Maximum length is 15 feet (4.6 meters).

CD-ROM Safety Warning

DANGER
INVISIBLE RADIATION WHEN OPEN.
AVOID EXPOSURE TO BEAM.

CLASS 1 LASER PRODUCT
APPAREIL A LASER DE CLASSE 1
LASER KLASSE 1
LOUKAN 1 LASERLAITE
PRODUIT LASER
CATEGORIE 1

Caution on Lithium Batteries

CAUTION:

Danger of explosion if battery is incorrectly replaced. Replace only with the same or equivalent type recommended by the manufacturer. Discard used batteries according to the manufacturer's instructions.

FCC Class B Radio Frequency Interference Statement

Note:

This equipment has been tested and found to comply with the limits for a Class B digital device, pursuant to Part 15 of FCC Rules. These limits are designed to provide reasonable protection against harmful interference in a residential installation. This equipment generates, uses, and can radiate radio frequency energy and, if not installed and used in accordance with the instructions, may cause harmful interference to radio communications. However, there is no guarantee that interference will not occur in a particular installation. If this equipment does cause harmful interference to radio or television reception, which can be determined by turning the equipment off and on, the user is encouraged to try to correct the interference by one or more of the following measures:

1. Reorient or relocate the receiving antenna.

2. Increase the separation between the equipment and receiver.
3. Connect the equipment into an outlet on a circuit different from that to which the receiver is connected.
4. Consult the dealer or an experienced radio/television technician for help.

Notice 1:

The changes or modifications not expressly approved by the party responsible for compliance could void the user's authority to operate the equipment.

Notice 2:

Shielded interface cables, if any, must be used in order to comply with the emission limits.

About this Manual

Purpose

This user's guide aims to give you the information you need to operate the system properly and tells you how to install internal components.

Manual Structure

This user's guide consists of four chapters.

Chapter 1 Fortress 9000 Housing (SV520)

This chapter describes the housing and all its major components. It contains instructions for upgrade options and installation procedures.

Chapter 2 Fortress 9000 Motherboard (DX3R Plus)

This chapter describes the motherboard and all its major components. It contains the motherboard layout, jumper settings, cache and memory configurations, and information on other internal devices.

Chapter 3 BIOS Setup Utility

This chapter gives information about the system BIOS and tells how to configure the system by changing the settings of the BIOS parameters.

Chapter 4 SCSI Select Configuration Utility

This chapter gives information about the SCSI Select utility and tells how to configure the SCSI configuration by changed the settings of the SCSI parameters.

Conventions

The following conventions are used in this manual:

Text entered by user

   etc....



Represents text input by the user.

Represent the actual keys that you have to press on the keyboard.

NOTE

Gives bits and pieces of additional information related to the current topic.

CAUTION

Gives precautionary measures to avoid possible hardware or software problems.

IMPORTANT

Reminds you to take specific actions relevant to the accomplishment of procedures.

What's in this manual

FORTRESS 9000	1
IMPORTANT SAFETY INSTRUCTIONS	3
CD-ROM SAFETY WARNING.....	6
CAUTION ON LITHIUM BATTERIES.....	7
FCC CLASS B RADIO FREQUENCY INTERFERENCE STATEMENT.....	7
ABOUT THIS MANUAL.....	9
CONVENTIONS	10
WHAT'S IN THIS MANUAL	11
CHAPTER 1 HOUSING INSTRUCTION (SV520)	24
1.1 INTRODUCTION.....	24
1.2 FEATURES	25
1.2.1 <i>Front Panel</i>	25
1.2.2 <i>Real Panel</i>	29
1.2.3 <i>Internal Component</i>	32
1.2.4 <i>BPL6 Jumpers and Connectors (Optional)</i>	34

1.3 OPENING THE HOUSING PANELS	37
1.3.1 <i>Opening the front panel door</i>	37
1.3.2 <i>Removing the front panel door</i>	38
1.3.3 <i>Removing the side panels</i>	39
1.4 INSTALLING AND REMOVING DEVICE DRIVES.....	40
1.4.1 <i>Removing drive bay covers</i>	40
1.4.2 <i>Installing and Removing a 3.5" Device Drive</i>	41
1.4.3 <i>Installing and Removing a 5.25" Device Drive</i>	45
1.5 INSTALLING A HOT-SWAP CAGE (OPTIONAL).....	48
1.5.1 <i>Installing a HSC5 Hot-Swap Cage</i>	49
1.5.2 <i>Hot-Swapping SCSI SCA Hard Disk Drive</i>	51
1.5.3 <i>Hot-Swapping the Hot-Plug Fan-Sink Module</i>	54
1.6 HOT-SWAPPING REDUNDANT POWER SUPPLY.....	56
1.7 REPLACING THE POWER SUPPLY FAN	60
1.8 HOT SWAP REDUNDANT CHASSIS FAN	62
1.8.1 <i>Hot-Swap Fan Base Board</i>	63
1.8.2 <i>Replacing Housing Fans</i>	64

1.9 INSTALLING AN EXPANSION CARD	66
CHAPTER 2 HARDWARE INSTALLATION	68
2.1 OVERVIEW	68
2.2 FEATURE HIGHLIGHT	69
<i>CPU</i>	69
<i>Chipset</i>	69
<i>Memory</i>	69
<i>Expansion Slots</i>	70
<i>SCSI On-board</i>	70
<i>Video Subsystem</i>	70
<i>Intel 82559 LAN controller</i>	71
<i>Power Management/Plug and Play</i>	71
<i>Super Multi-I/O</i>	72
2.3 MOTHERBOARD MAP	73
2.4 BLOCK DIAGRAM	74
2.5 CONNECTORS AND JUMPERS	75
2.6 HARDWARE.....	77

2.6.1 CPU Installation	78
2.6.2 CPU Fan (3-pins) & Housing Fan (4-pins) Connector.....	79
2.6.3 Thermal Senses Connector.....	80
2.6.4 JP10 CPU Terminator Jumper.....	81
2.6.5 DIMM Slots	82
2.6.6 ATX Power Connector.....	84
2.6.7 Redundant SPS Connector.....	85
2.6.8 IDE and Floppy Connector.....	86
2.6.9 68-pins Ultra160/50-pins Narrow SCSI Connector	89
2.6.10 JP6 SCSI Channel Terminator Control	90
2.6.11 Front Panel Connector	91
2.6.12 WOL (Wake on LAN) Connector	92
2.6.13 Support 2 nd USB Port.....	94
2.6.14 NMI (Non-Maskable Interrupt) Switch Jumper.....	95
2.6.15 BP (Backplane) Connector.....	96
2.6.16 External Speaker Connector.....	97
2.6.17 JP5 System Event Clear Jumper.....	98

2.6.18 JP8 System BIOS Password Check.....	99
2.6.19 Event LED Connector.....	100
2.6.20 PC99 Color Coded Back Panel.....	101
2.6.21 Low ESR Capacitor.....	102
CHAPTER 3 BIOS SETUP UTILITY.....	103
3.1 ENTERING SETUP.....	104
3.2 SYSTEM INFORMATION.....	106
3.2.1 Processor.....	107
3.2.2 Processor Speed.....	107
3.2.3 CPU/SDRAM BUS Frequency.....	107
3.2.4 Level 1 Cache.....	107
3.2.5 Level 2 Cache.....	108
3.2.6 Diskette Drive A.....	108
3.2.7 Diskette Drive B.....	108
3.2.8 IDE Primary Channel Master.....	108
3.2.9 IDE Primary Channel Slave.....	108
3.2.10 Total Memory.....	109

3.2.11 1 st /2 nd /3 rd Bank.....	109
3.2.12 Serial Port 1.....	109
3.2.13 Serial Port 2.....	110
3.2.14 Parallel Port.....	110
3.2.15 PS/2 Mouse.....	110
3.3 PRODUCT INFORMATION.....	111
3.3.1 Product Name.....	112
3.3.2 System S/N.....	112
3.3.3 Main Board ID.....	112
3.3.4 Main Board S/N.....	112
3.3.5 System BIOS Version.....	112
3.3.6 SMBIOS Version.....	113
3.4 DISK DRIVES.....	114
3.4.1 Floppy Drives.....	115
3.4.2 IDE Drives.....	115
3.5 ONBOARD PERIPHERALS.....	119
3.5.1 Serial Ports 1 and 2.....	121

3.5.2 Parallel Port	122
3.5.3 Onboard Device Settings	126
3.6 POWER MANAGEMENT	130
3.6.1 Power Management Mode	132
3.6.2 Power Switch < 4 sec.....	134
3.6.3 System Wake-up Event.....	134
3.7 BOOT OPTIONS	137
3.7.1 Boot Sequence	138
3.7.2 Primary Display Adapter	138
3.7.3 Fast Boot	139
3.7.4 Silent Boot	139
3.7.5 Num Lock After Boot.....	140
3.7.6 Memory Test	140
3.7.7 Release All Blocked Memory	140
3.8 DATE AND TIME	141
3.8.1 Date.....	142
3.8.2 Time.....	142

3.9 SYSTEM SECURITY	144
3.9.1 Supervisor Password	145
3.9.2 User Password	147
3.9.3 Disk Drive Control	147
3.10 SYSTEM EVENT LOG	149
3.10.1 System Event Logging	151
3.10.2 Events Control	153
3.10.3 Event Process	154
3.10.4 Threshold Event Control	155
3.10.5 Temperature Threshold Setting	155
3.10.6 Voltage Threshold Setting	156
3.11 LOAD DEFAULT SETTINGS	157
3.12 ABORT SETTINGS CHANGE	158
CHAPTER 4 SCSISELECT™ UTILITY	159
<i>Settings for the SCSI Controller and All Devices</i>	159
<i>Individual Settings for SCSI Drives</i>	160
<i>When to Use the SCSISelect™ Utility</i>	161

4.1 RUNNING THE SCSISELECT™ UTILITY	162
4.2 UTILITY OPTIONS	163
4.2.1 <i>Configuring Channel A</i>	164
4.3 CONFIGURE/VIEW HOST ADAPTER SETTINGS MENU	167
4.3.1 <i>Host Adapter SCSI ID</i>	169
4.3.2 <i>SCSI Parity Checking</i>	172
4.3.3 <i>Boot Device Options</i>	174
4.3.4 <i>Boot Channel Options</i>	175
4.3.5 <i>Boot SCSI ID Options</i>	176
4.3.6 <i>Boot LUN Number Options</i>	177
4.3.7 <i>Boot LUN Number</i>	178
4.4 ADVANCED CONFIGURATION OPTIONS	183
4.4.1 <i>Host Adapter BIOS</i>	185
4.4.2 <i>Display <Ctrl-A> Message During BIOS Initialization</i>	185
4.4.3 <i>Extended BIOS Translation for DOS Drives > 1 GByte</i>	185
4.4.4 <i>Support Removable Disks Under BIOS as Fixed Disks</i>	186
4.4.5 <i>BIOS Support for Bootable CD-ROM</i>	187

4.4.6 BIOS Support for Int13 Extensions.....	187
4.5 SCSI DISK UTILITIES.....	188
4.5.1 Format Disk.....	190
4.5.2 Verify Media.....	190
4.6 DISK DRIVES OVER 1 GBYTE.....	192
4.6.1 Extended Translation.....	192
4.6.2 DOS 1 GByte Limit.....	192
4.7 WHEN TO USE THE EXTENDED TRANSLATION.....	194
4.7.1 with DOS 5.0 and above.....	194
4.7.2 drives with mixed partitions.....	194
4.7.3 Using FDISK.....	194
GLOSSARY.....	195
AC97.....	195
ACPI (ADVANCED CONFIGURATION & POWER INTERFACE).....	195
AGP (ACCELERATED GRAPHIC PORT).....	196
AMR (AUDIO/MODEM RISER).....	196
AOPEN BONUS PACK CD.....	196

APM.....	197
ATA/66	197
ATA/100	197
BIOS (BASIC INPUT/OUTPUT SYSTEM).....	198
BUS MASTER IDE (DMA MODE).....	198
CODEC (CODING AND DECODING)	198
DIMM (DUAL IN LINE MEMORY MODULE).....	199
ECC (ERROR CHECKING AND CORRECTION).....	199
EDO (EXTENDED DATA OUTPUT) MEMORY	199
EEPROM (ELECTRONIC ERASABLE PROGRAMMABLE ROM)	200
EPROM (ERASABLE PROGRAMMABLE ROM)	200
EV6 Bus.....	200
FCC DoC (DECLARATION OF CONFORMITY).....	201
FC-PGA	201
FLASH ROM.....	201
FSB (FRONT SIDE BUS) CLOCK.....	202
I ² C Bus.....	202

P1394	202
PARITY BIT	202
PBSRAM (PIPELINED BURST SRAM)	203
PC100 DIMM	203
PC133 DIMM	203
PDF FORMAT	203
PNP (PLUG AND PLAY)	204
POST (POWER-ON SELF TEST).....	204
RDRAM (RAMBUS DRAM).....	204
RIMM	205
SDRAM (SYNCHRONOUS DRAM)	205
SIMM (SINGLE IN LINE MEMORY MODULE)	205
SMBUS (SYSTEM MANAGEMENT BUS).....	206
SPD (SERIAL PRESENCE DETECT).....	206
ULTRA DMA/33	206
USB (UNIVERSAL SERIAL BUS).....	207
VCM (VIRTUAL CHANNEL MEMORY).....	207

ZIP FILE207

TROUBLESHOOTING208

PRODUCT REGISTRATION212

TECHNICAL SUPPORT214

PART NUMBER AND SERIAL NUMBER.....216

Chapter 1 Housing Instruction (SV520)

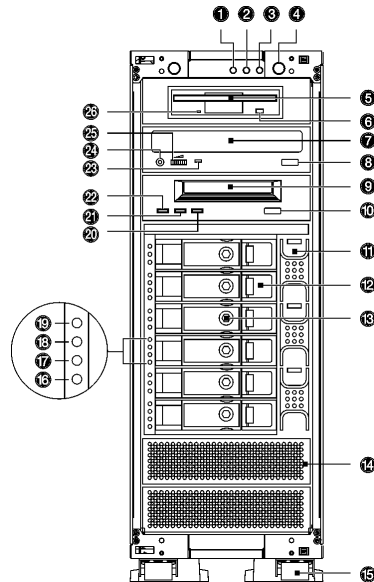
1.1 Introduction

This installation guide describes the features of the SV520 housing and tells you how to install the basic system components such as disk drives, a motherboard, or expansion boards.




1.2 Features

1.2.1 Front Panel





Additional duplicate keys can be found at the back of the system.



Fortress 9000 *Online Manual*

No.	Icon	Item
1	!	Event log LED
2		HDD access LED
3		Power/Suspend LED
4		Power button
5		3.5" FDD (Optional)
6		3.5" FDD eject button
7		CD-ROM tray (Optional)
8		CD-ROM tray eject button
9		Tape drive (Optional)
10		Tape drive eject button
11		Hot-swap redundant BPL6 cage fan (Optional, three fans)
12		BPL6 HDD trays (Optional, six trays)



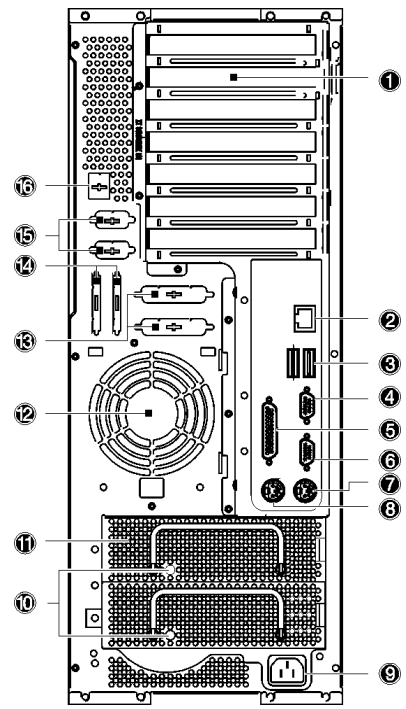
13		BPL6 HDD tray lock (Optional)
14		Drive bay cover
15		Housing wheels
16		SCSI drive error LED
17		SCSI drive activity LED
18		SCSI drive power LED
19		Hot-swap redundant fan fail LED
20		Drive LED (Amber)
21		Media LED (Green)
22		Clean LED (Green)
23		CD-ROM drive activity LED
24		Headphone/earphone port
25		Volume control

Fortress 9000 *Online Manual*

26		3.5" FDD activity LED
----	--	-----------------------



1.2.2 Real Panel



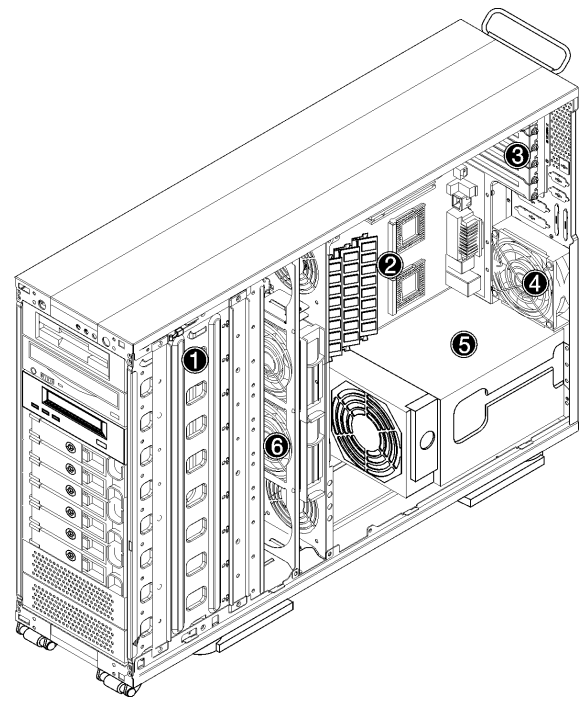
Fortress 9000 *Online Manual*

No.	Item
1	Add-on card brackets
2	RJ45 LAN port
3	1 st USB port
4	VGA D-sub 15-pins connector
5	Parallel port
6	Serial port (COM1)
7	PS/2 keyboard connector
8	PS/2 mouse connector
9	System power socket
10	Hot-swap power supply activity LED (Orange when fail)
11	Hot-swap power supply (Redundant power supply is optional)
12	Fan



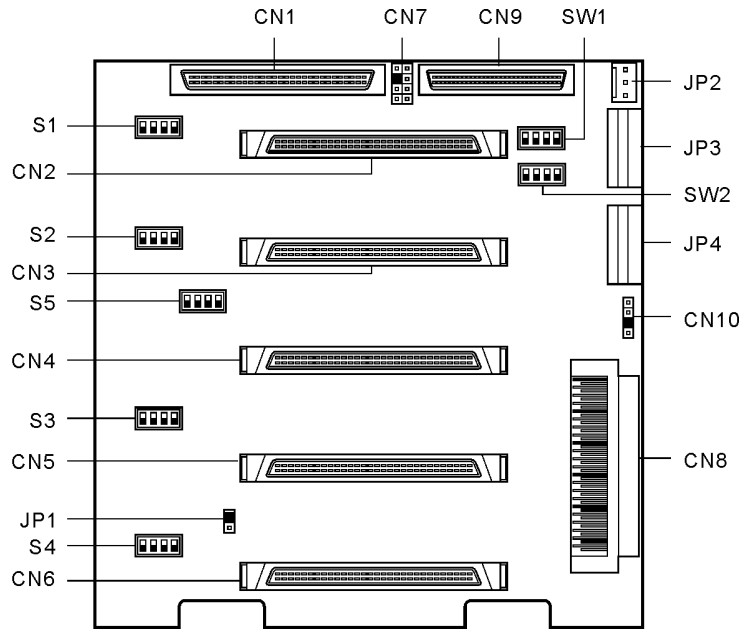
13	Parallel port punch out hole
14	SCSI connector punch out hole
15	Serial port punch out hole
16	NMI switch punch out hole

1.2.3 Internal Component



No.	Item
1	Drive bays
2	DX3R Plus M/B
3	Expansion brackets
4	Rear fan
5	Power supply
6	Front fans (Two fans)

1.2.4 BPL6 Jumpers and Connectors (Optional)



Connector or Jumper	Description
CN1	I ² C buffer connector
CN2	Front power LED connector
CN3	SCSI 68-pin P connector - Out
CN4	SCSI 68-pin P connector - Out
CN5	For SAF-TE card use
CN6	For SAF-TE card use
CN7	SCSI 68-pin P connector - In
CN8	SCSI 68-pin P connector - In
Fan 1 to 3	Hot-plug fan-sink connector
JP1/JP4	Terminator power source 1. Short: Both from backplane and host 2. Open: Only from host
JP2	Power connector* ¹

Fortress 9000 *Online Manual*

JP3	Power connector
Slot 1 to 6	SCSI hard disk slots
SW1	Slot 1 ID switch ²
SW2	Slot 2 ID switch
SW3	Slot 3 ID switch
SW4	Slot 4 ID switch
SW5	Slot 5 ID switch
SW6	Slot 6 ID switch

1. For the SCSI backplane board's loading requirement, please insert the independent power cable that don't connect to other device to each power connector on backplane board.
2. When you use the LVD SCSI hot-swap cage to arrange your system hard drives, please remove all the jumpers on each SCSI hard drive and use the switches on the backplane board (SW1~SW6) to set the hard drive's ID.

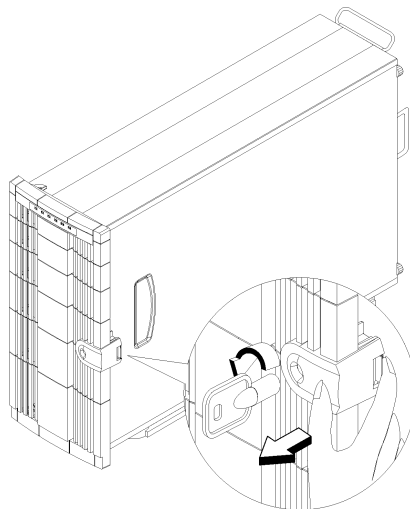


1.3 Opening the Housing Panels

1.3.1 Opening the front panel door

To open front door:

1. Insert the key, push, and then turn it clockwise. If you are using the chassis for the first time, you can find the key attach to the rear of the chassis.
2. Press the latch and open the door



1.3.2 Removing the front panel door

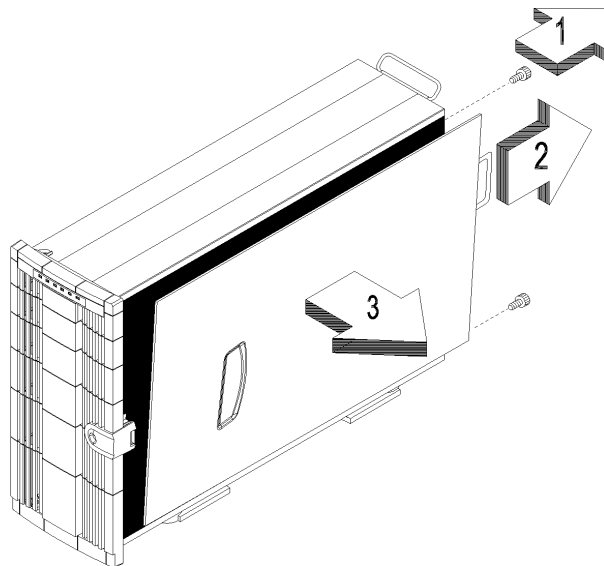
The door is attached to the main housing by screw-less hinges. Follow these steps to remove the door:

1. Unlock the door.
2. Open it up to a 45° angle.
3. Lift it up and pull out to detach.

1.3.3 Removing the side panels

To remove the side panels:

1. Turn off the power to the system unit and unplug all cables.
2. Unscrew two thumbscrews located at the back of the side panels.
3. Gently pull back the side panel and detach



1.4 Installing and Removing Device Drives

The chassis has nine 5.25" drive bay. You can install additional storage devices like CD-ROM drives, digital audio tape (DAT) drives or hard disk drives on the empty bays.



Turn off the power switch and unplug the power cord before installing or removing diskette drives.

1.4.1 Removing drive bay covers

The drive bay cover protects the inside of the chassis when the drive bay is not occupied.

To remove a drive bay cover:

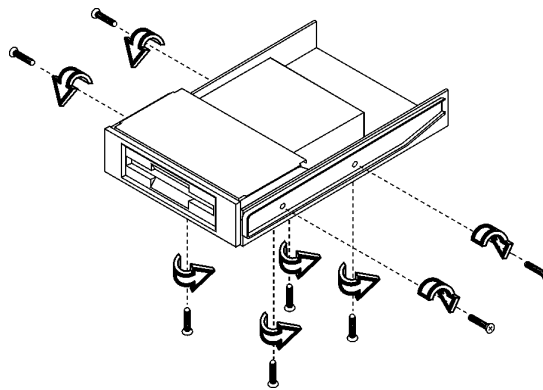
1. Open the front panel door and remove the side panels. See "[Opening the housing panel!](#)" on page 38 for more information.
2. Detach the drive bay cover. Use a Phillips screwdriver to remove one screws located on the right side of the drive bay cover.
3. Press the latch located on the left side of the drive bay using your finger. Pull out the drive bay cover. Keep the drive bay cover for future use.

1.4.2 Installing and Removing a 3.5" Device Drive

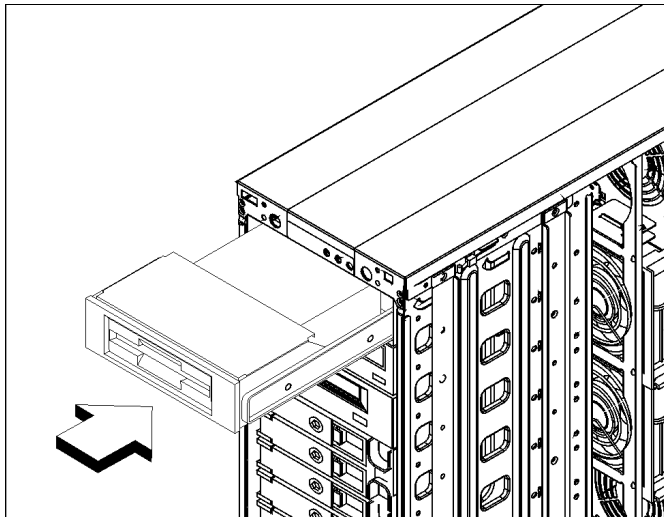
The housing comes with a 5.25" plastic casing for installing 3.5" storage devices.

To install 3.5-inch device drives:

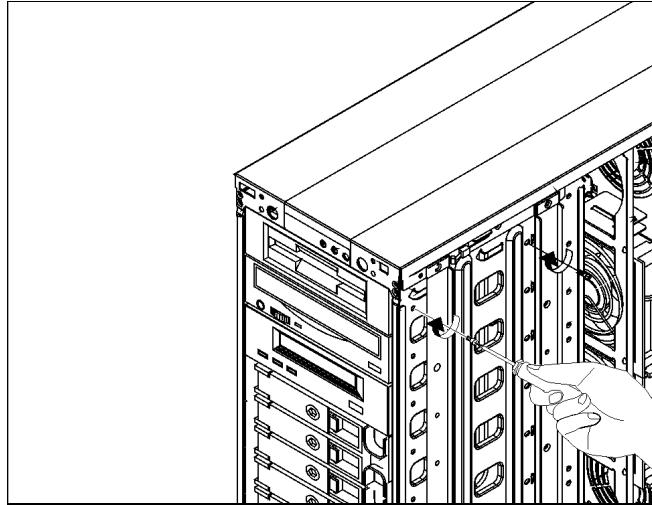
1. Open the front panel of the housing. See "[Opening the housing panel](#)" on page 38 for more information.
2. Attaching the 3.5" storage devices to the 5.25" plastic casing with four screws.
3. Attaching the drive rail to one side of the plastic casing and secure it with two screws. Do the same thing to the other side.



4. Insert the casing into the bay. If the drive bay has a cover, remove the cover first. See ["Removing drive bay covers"](#) on page 41.



5. Secure the casing with two screws.



6. Connect the power cable and signal cables to the storage devices.
7. Reinstall the side panel.

To remove a 3.5" storage device:

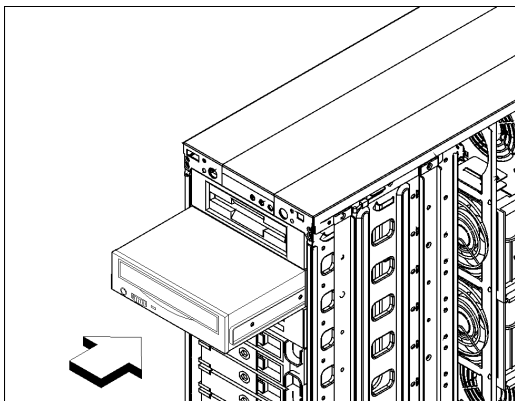
1. Open the front panel door and remove the side panels. See "[Opening the housing panels](#)" on page 38 for more information.
2. Disconnect the power and signal cables.
3. Use a Phillips screwdriver to remove the screws located on the right side of the plastic casing. Gently pull out the plastic casing.
4. Again, use a Phillips screwdriver to remove the screws located underneath the storage device. Detach the 3.5" storage device from the plastic casing.
5. Use the drive bay cover to cover the drive bay. Insert it into the empty drive bay and secure it with one screw.
6. Reinstall the side panel.

1.4.3 Installing and Removing a 5.25" Device Drive

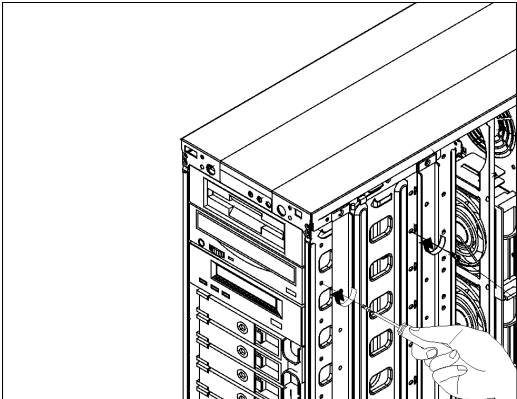
You may install a CD-ROM, digital-audio tape (DAT), hard disk, diskette drive or any other 5.25-inch device into the drive bay.

To install 5.25-inch devices:

1. Open the front panel door and remove the side panels. See "[Opening the housing panels](#)" on page 38 for more information.
2. Attach the driver rail to one side of the plastic casing and secure it with two screws. Do the same thing to the other side.
3. Insert the 5.25" storage drive into the bay. If the drive bay has a cover, remove the cover first. See "[Removing drive bay covers](#)" on page 41.



- 4. Secure the storage drive with two screws.



- 5. Connect the power cable and signal cables to the external devices.
- 6. Reinstall the side panels.

To remove a 5.25" storage device:

1. Open the front panel door and remove the side panels. See "[Opening the housing panels](#)" on page 38 for more information.
2. Disconnect the power and signal cables.
3. Use a Phillips screwdriver to remove the screws located on the right side of the storage device.
4. Gently pull out the storage drive to remove.
5. Use the drive bay cover to cover the drive bay. Insert it into the empty drive bay and secure it with one screw.
6. Reinstall the side panel.

1.5 Installing a Hot-Swap Cage (Optional)

The hot-swap cage occupied four drive bays. For more information about the backplane board, please refer to "[BPL6 Jumpers and Connectors](#)" on page 35,.

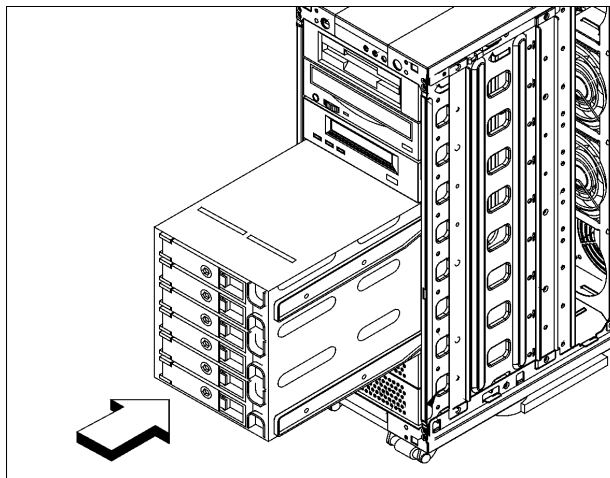
The BPL6 hot-swap cage includes the following components:

- One hot-swap cage (with back plane board attached)
- Six hard disk drive trays
- Three hot-plug fan-sink modules
- One SCSI terminator
- Two SCSI cables
- One I²C cable.

1.5.1 Installing a HSC5 Hot-Swap Cage

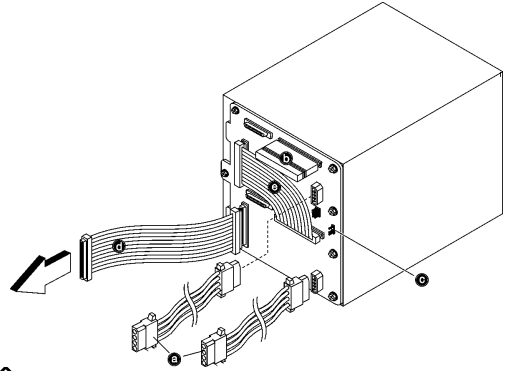
To install the hot-swap cage into the housing:

1. Open the front panel door and remove the side panels. See [“Opening the housing panels”](#) on page 38 for more information.
2. Attach two pairs of drive rails on each side of the hot-swap cage. Secure the rails with eight screws.
3. Insert the hot-swap cage into the drive bays and secure the hot-swap cage with four screws.



Fortress 9000 *Online Manual*

- 4. Attach the following to the BPL6 backplane board and attach the other end of the connector cable to the motherboard (See "[Motherboard Map](#)" on page 73).
 - a. Power cables
 - b. SCSI terminator
 - c. I²C cable (CN1, connect to motherboard)
 - d. SCSI cable (Connect to motherboard)
 - e. SCSI channel A to channel B connection cable



We suggest you use the lower four 5.25" bays for better heat dissipation.

1.5.2 Hot-Swapping SCSI SCA Hard Disk Drive

The hot-swap cage supports up to six hot-swapping SCSI SCA hard disk drives. You can hot-swap (remove and replace) a hard disk drive any time when it fails to operate (indicated by the yellow LED).

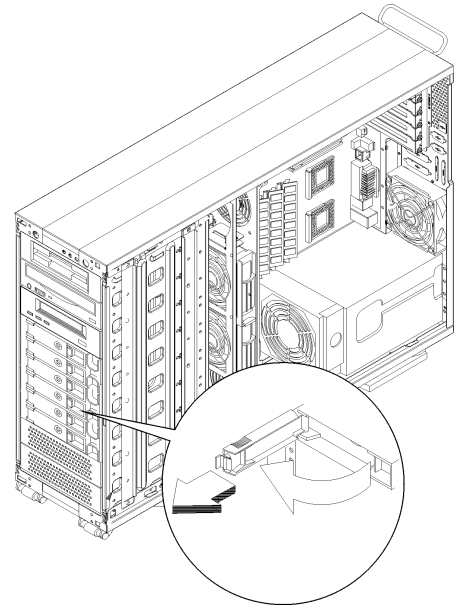


Do not remove a hard disk drive when active. This may cause undue damage to the hard disk drive.

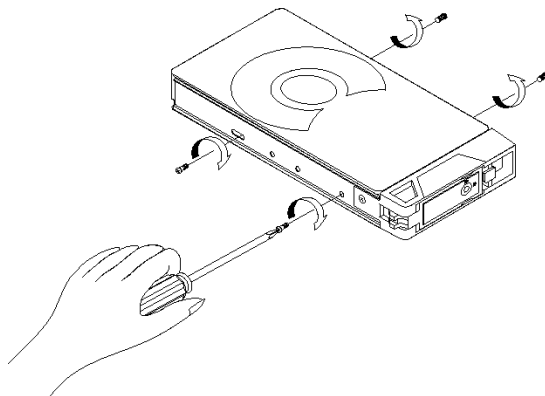
Fortress 9000 *Online Manual*

Follow these steps to install a hot swappable SCSI drive:

1. Use the hex key provided with the system to unlock the drive tray.
2. Use your finger to release the drive tray and then pull it out.



3. Place a hard disk on the tray. Secure it with four screws with the metal holder as shown below.



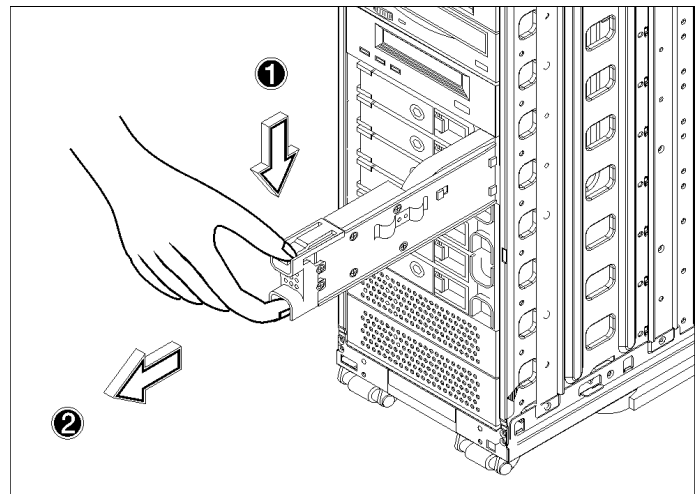
4. Insert the tray into the hot-swap cage with the lever still extended. Make sure that the drive is properly inserted before closing the lever.
5. Push the lever back until it clicks into place.

1.5.3 Hot-Swapping the Hot-Plug Fan-Sink Module

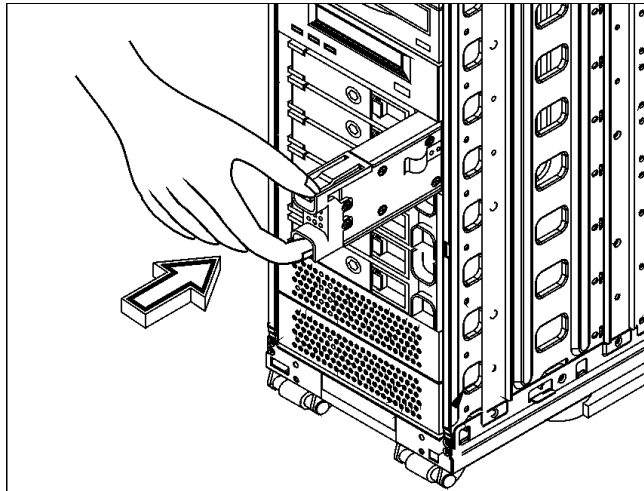
The hot-swap cage supports up to three hot-plug fan-sink modules to keep it cool. You can hot-swap (remove and replace) a hot-plug fan-sink any time when it fails to operate (indicated by the yellow LED).

Follow these steps to replace a hot-plug fan-sink module:

1. Insert your pointing finger and your thumb into the fan-sink module.
2. Squeeze the latch to release the fan and gently pull it out.



3. Insert a new fan-sink into the hot-swap cage. Push the fan-sink until it locks into place.



1.6 Hot-Swapping Redundant Power Supply

The power subsystem consists of two hot-swappable power supply module bays that allow the installation of two 337-watts power supply modules in a hot-swappable redundant configuration. A redundant power configuration enables a fully-configure system to continue running even if one power supply fails.



The SV520 comes with one hot-swappable redundant power supply installed.

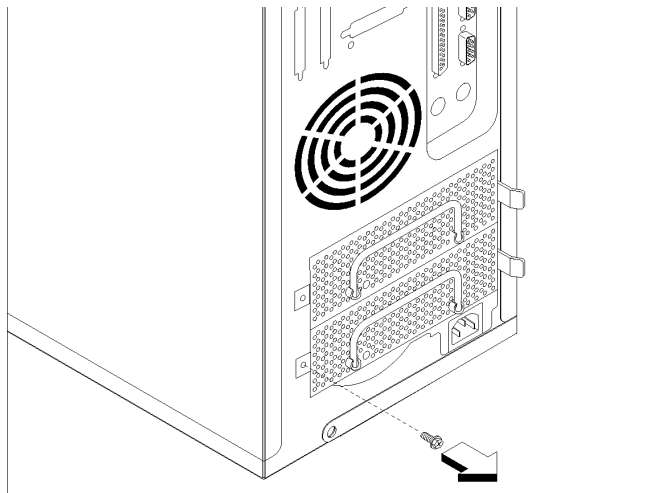
To install a hot-swappable redundant power supply:

1. Insert the power supply into the power supply cage



Make sure that the power supply is properly inserted.

2. Secure the power supply with a screw.



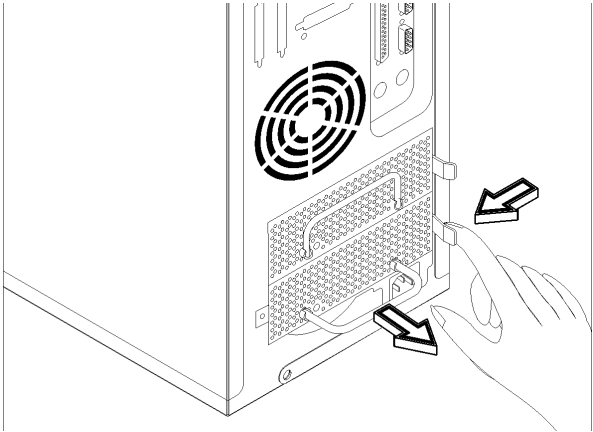
Fortress 9000 Online Manual

To remove a hot-swappable redundant power supply:



An orange colored LED indicates a failed power supply.

1. Remove the screw using a Phillips screwdriver.
2. Press the latch to release the power supply and gently pull it out using the metal handle.



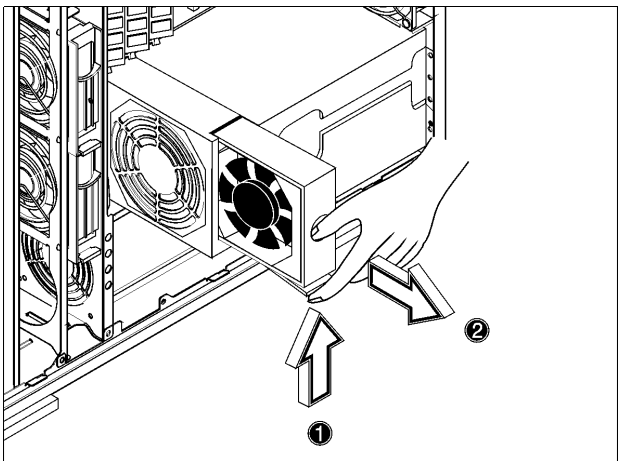


The power supply subsystem should supply a minimum of 337 Watts to the whole system. If you only have one power supply or if you have tow power supplies and are planning to remove both of them, remember to turn off the power first and disconnect the power cord from the electrical outlet.

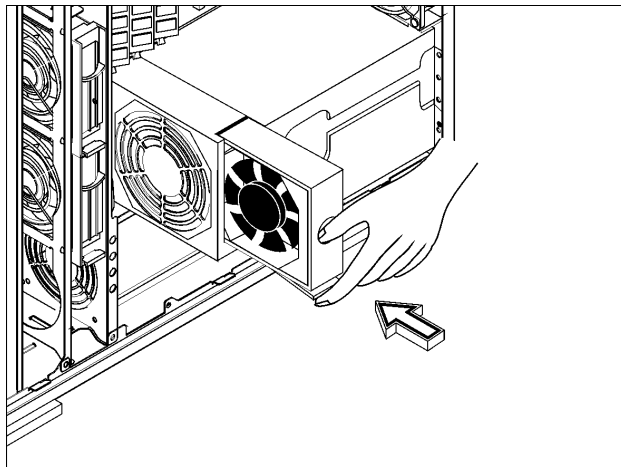
1.7 Replacing the Power Supply Fan

To replace the power supply fan:

1. Open the front panel door and remove the right panel. See "[Opening the housing panels](#)" on page 38 for more information.
2. Insert your pointing finger and thumb into the power supply fan.
3. Squeeze the latch to release the fan and gently pull it out.



4. Insert a new fan and gently push it down until it locks into place.



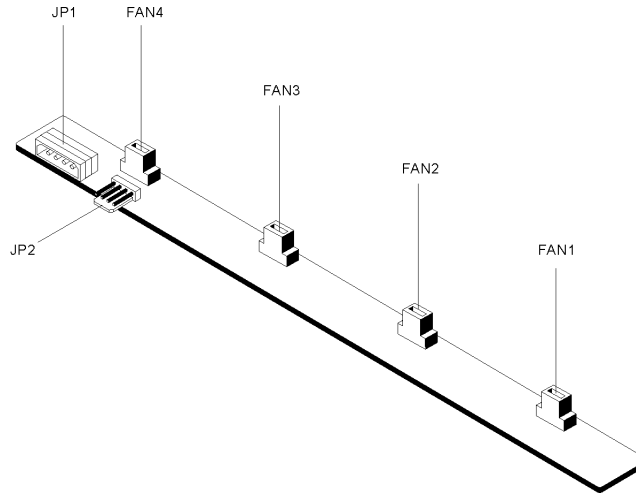
1.8 Hot Swap Redundant Chassis Fan

The chassis can house five cooling fans, however, it only needs a minimum of three cooling fans to operate properly. These fans are distributed inside the chassis to cool down the system (two in front and one at the back). The rear cooling fan is fixed and not hot-swappable. You have to shutdown the system before changing the rear cooling fan. However, the cooling fans in front are hot-swappable. When the front cooling fans becomes defective, you can simple take it out and put a new one in even when the system is operating.



Make sure that there are three cooling fans (two in front and one at rear) distributed in the chassis to ensure proper system operation. Also, remember to shutdown the system when changing a defective rear cooling fan.

1.8.1 Hot-Swap Fan Base Board



Connector or Jumper	Description
JP1	Power connector
JP2	Signal cable (4-pin)
Fan1 to 4	Hot-plug fan connector

1.8.2 Replacing Housing Fans

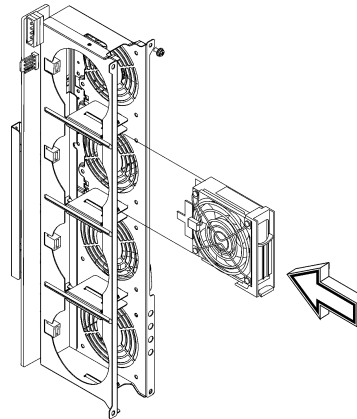
To change a rear housing fan:

1. Shutdown the system
2. Open the front panel door and remove the side panels. See [“Opening the housing panels”](#) on page 38 for more information.
3. Remove the fan cable from the motherboard.
4. Press the fan holder arm outward until it is loose enough for the cooling fan to come through.
5. Replace the defective cooling fan.
6. Reattach the fan cable to the motherboard.
7. Close the chassis panel and restart the system.

To change a front hot-swap housing fan:



1. Open the front panel door and remove the side panels. See [“Opening the housing panels”](#) on page 38 for more information.
2. See which of the fan is defective. Refer to the LED located at the bottom side of each fan.
3. Insert your forefinger into the grasp hole and use your thumb to press the latch to release the defective fan.
4. Pull out the fan and replace it with a good one. Make sure that the fan is operating properly.
5. Close the chassis panel.

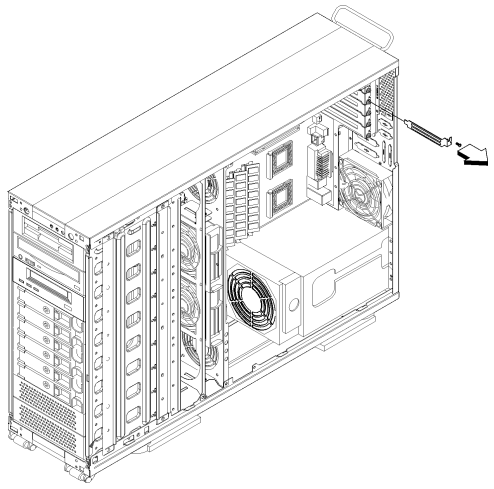


1.9 Installing an Expansion Card

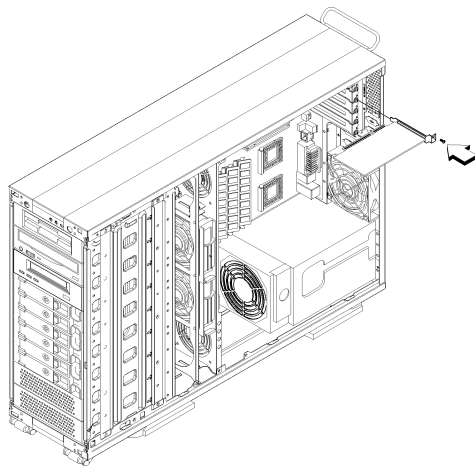
The expansion card connects to the motherboard expansion slots. The number of expansion slots available depends on the motherboard that you want to install. However, the chassis can only accommodate a maximum of seven expansion cards.

To install an expansion card:

1. Open the front panel door and remove the side panels. See "[Opening the housing panels](#)" on page 38 for more information.
2. Remove the expansion slot bracket opposite an empty expansion slot. Save the screw for later use.



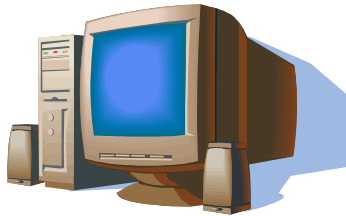
3. Align and insert the expansion card to the empty expansion slot.
4. Secure the expansion card to the chassis with a screw.



5. Reinstall the side panel.

Chapter 2 Hardware Installation

2.1 Overview



The AOpen DX3R Plus is a PCI bus based dual processor motherboard built on an extended ATX baseboard. It comes with two socket 370 processor slots utilizing two Intel® Pentium® III processors integrated with the [Server Works LE north and OSB4 south bridge chipsets](#). The dual channel SCSI architecture supports [Ultra160 SCSI](#) with bandwidth of up to 160MB/s for each channel. The DX3R Plus also integrates the Intel® 82559 10/100Mbps PCI Ethernet

chipset that supports [WOL](#) (Wake On LAN) function for better remote site management. For expandability, the DX3R Plus includes four 64bit/33MHz PCI slots, two 32bit/33MHz PCI slots and four DIMM slots that allows memory installation to a maximum of 4GB using four 1G (1024MB) [SDRAM](#) (Synchronous DRAM). For Connectivity, the DX3R Plus supports two USB connector, a video port and other standard features such as two serial ports, one enhanced parallel port with EPP/ECP feature, a diskette drive interface and two embedded hard disk interfaces.

2.2 Feature Highlight

CPU

Supports single/dual Intel® FC-PGA Pentium® III 533MHz~1GHz with 100/133MHz FSB (Front Side Bus) designed for Socket 370 technology.

Chipset

The Server Works CNB30LE chipset incorporated as a north bridge is in charge of the host bus interface and memory bus control. The memory bus control supports two and four way interleaved of PC-100 and PC-133 SDRAM registered [ECC](#) DIMM up to 4GB. The north bridge provides one 32bit PCI bus running at 33MHz and another secondary PCI bus running at 33/66MHz.

Memory

The four DIMM sockets on board allow memory upgrade to a maximum of 4GB using four 1024MB registered SDRAM (Synchronous DRAM) DIMMs. For data integrity, the default setting of the ECC (Error-Correcting Code) function of the memory system in BIOS is enabled. The DX3R Plus supports both 100 and 133MHz registered SDRAM only, 66MHz SDRAM is not supported.

Expansion Slots

Including four 64-bit/33MHz, two 32-bit/33MHz PCI and one AGP Pro slots. The PCI local bus throughput can be up to 264MB/s. The Intel® AGP Pro specification provides a new level of video display sophistication and speed. The AGP Pro video cards support data transfer rates up to 1066MB/s. As DX3R Plus include one AGP Pro expansion slot for a bus mastering AGP graphics card. For AD and SBA signaling, DX3R Plus can supports 133MHz 2X/4X mode.

SCSI On-board

The dual channel Adaptec AIC-7899 chip host adapter delivers Ultra160/m SCSI data transfer rates which doubles the Ultra3 SCSI data transfer rate of up to 160MB/s. With two channels, it delivers a total of 320MB/s bandwidth. In addition, the AIC-7899 features a 66MHz, 64bit PCI interface that supports zero wait-state memory which also operates on 33MHz, 32bit PCI buses. It supports up to 15 devices on a 12 meters cable (or 25 meters in a point to point configuration), making it ideal for both clustering and RAID configurations.

Video Subsystem

The ATI Rage XL harbors 2D and 3D display capacities that bring life to any multimedia and work applications. With a remarkable color depths and high resolutions of up to 1280*1024 for an enhanced visual experience on your system. The on-board ATI Rage XL chipset comes with 4MB

of video memory and supports up to 1280*1024 display mode at high colors with a maximum of 4MB video memory option.

Intel 82559 LAN controller

Another cost-effective feature for network solution is the integration of Intel 82559 10/100 Mbps Fast Ethernet controller that supports:

1. Advanced Configuration and Power Interface ([ACPI](#)) 1.20A based power management.
2. Wake on Magic Packet.
3. Wake on interesting packet.
4. Advanced System Management Bus (SMB) based manageability.
5. Wired for Management (WfM) 2.0 compliance.
6. IP checksum assist.
7. PCI 2.2 compliance.
8. PC99 compliance.

Power Management/Plug and Play

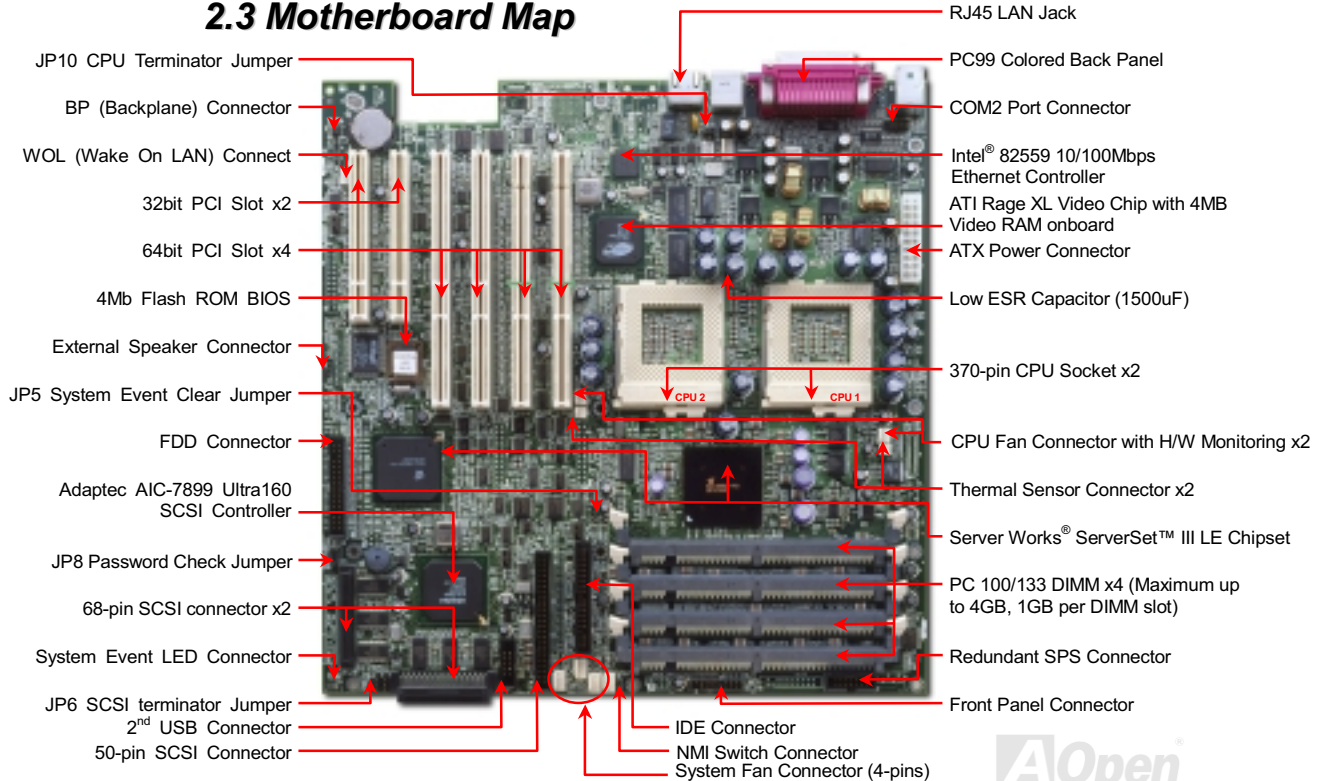
The DX3R Plus supports the power management function that confirms to the power-saving

standards of the U.S. Environmental Protection Agency (EPA) Energy Star program. It also offers Plug-and-Play which helps save users from configuration problems, thus making to system more user-friendly.

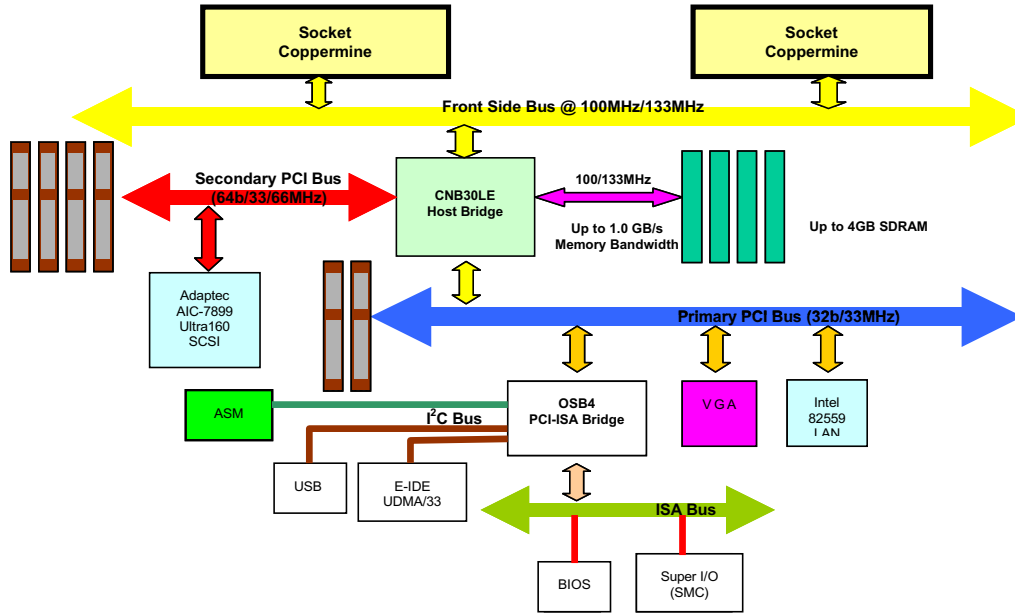
Super Multi-I/O

The DX3R Plus provides two high-speed UART compatible serial ports and one parallel port with EPP and ECP capabilities. UART2 can also be directed from COM2 to the Infrared Module for the wireless connections.

2.3 Motherboard Map



2.4 Block Diagram



Hardware
Installation

2.5 Connectors and Jumpers


The table below lists the different connectors or jumpers on the motherboard and their respective functions.

Connector or Jumper	Description	Page
CN3	ATX Power Connector	76
CN4	Keyboard/Mouse Connector	93
CN5	Serial Port Connector	93
CN7/CN25	CPU1/CPU2 Thermal Sense Connector	72
CN8/CN24	CPU1/CPU2 Fan Connector	71
CN9	Redundant SPS Connector	77
CN10	Printer/VGA/RS232 Connector	93
CN13/19/20/23/28	System Fan Connector (4-pins)	71
CN14	USB 1/2 Connector	93
CN15	Front Panel Connector	83
CN16	RJ45 LAN Connector	93
CN18	NMI Switch Connector	87
CN21	IDE Connector	78

Connector or Jumper	Description	Page
CN29	50-pins Narrow SCSI Connector	81
CN30	2 nd USB Connector	86
CN35/CN38	68-pins SCSI Connector	81
CN37	WOL Connector	84
CN40	FDD Connector	78
CN41	System Event LED Connector	92
CN42	BP (Backplane) Connector	88
CN46	External Speaker Connector	89
JP5	System Event Clear Jumper	92
JP6	SCSI Terminator Jumper	82
JP8	Password Check Jumper	91
JP10	CPU Terminator Jumper	73

2.6 Hardware

This chapter describes jumpers, connectors and hardware devices of this motherboard.



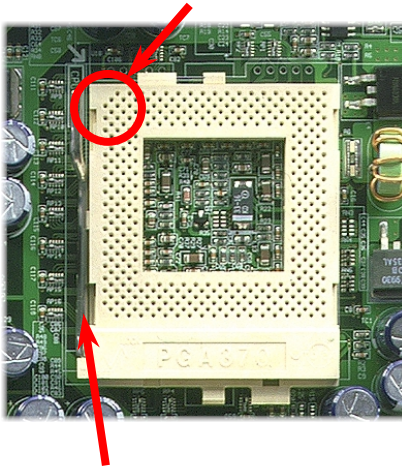
Note: *Electrostatic discharge (ESD) can damage your processor, disk drives, expansion boards, and other components. Always observe the following precautions before you install a system component.*

1. Do not remove a component from its protective packaging until you are ready to install it.

2. Wear a wrist ground strap and attach it to a metal part of the system unit before handling a component. If a wrist strap is not available, maintain contact with the system unit throughout any procedure requiring ESD protection.

2.6.1 CPU Installation

CPU Pin 1 and cut edge



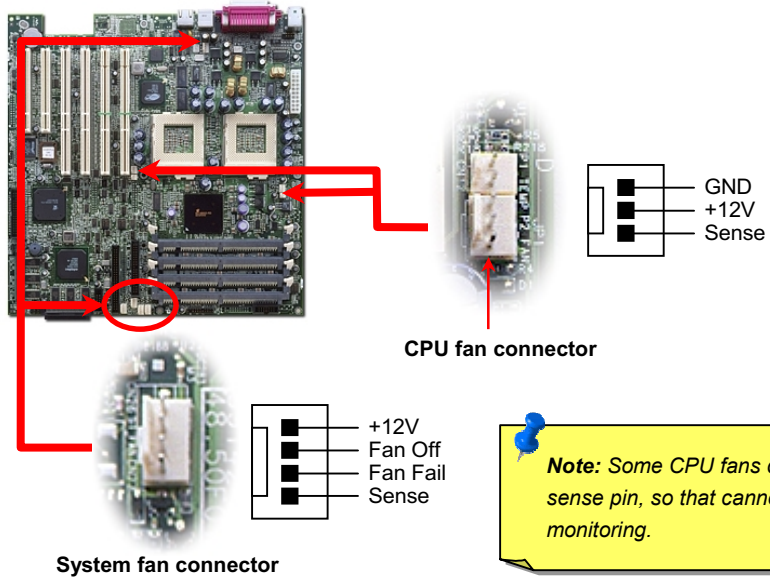
CPU socket level

1. Pull up the CPU socket level and up to 90-degree angle.
2. Locate Pin 1 in the socket and look for a (golden) cut edge on the CPU upper interface. Match Pin 1 and cut edge. Then insert the CPU into the socket.
3. Press down the CPU socket level and finish CPU installation.

Note: If you do not match the CPU socket Pin 1 and CPU cut edge well, it may damage the CPU.

2.6.2 CPU Fan (3-pins) & Housing Fan (4-pins) Connector

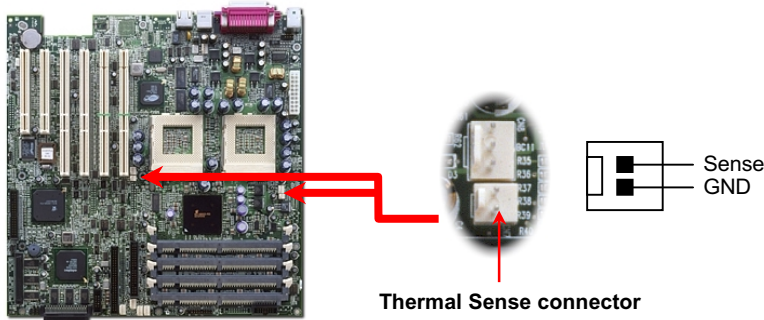
Plug in the CPU fan cable to the 3-pin **CPU FAN** connector and housing fan cable to the **Housing Fan** connector.



Note: Some CPU fans do not have sense pin, so that cannot support fan monitoring.

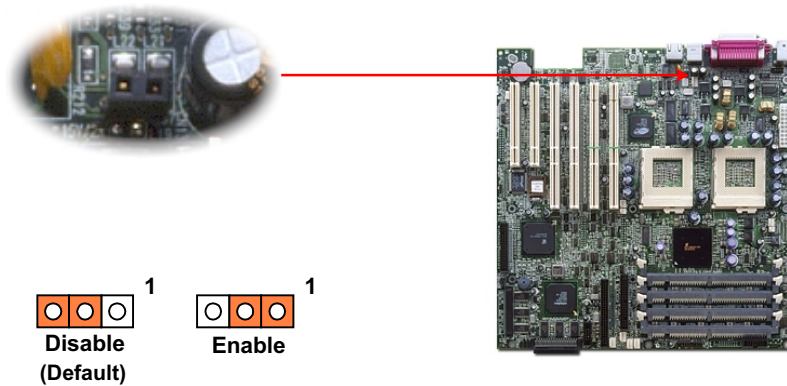
2.6.3 Thermal Sense Connector

The Thermal Sense Connector (CN7 & CN25) provides you to use the thermal sensor to detect the temperature of the components on the motherboard.



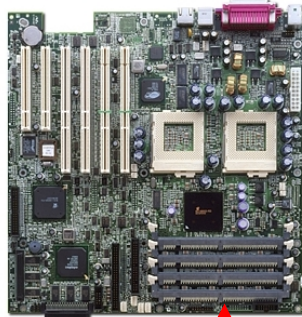
2.6.4 JP10 CPU Terminator Jumper

When you are using single Intel® Pentium III/Celeron CPU with DX3R Plus, you must short the pin-1 and pin-2 to enable CPU terminator function.

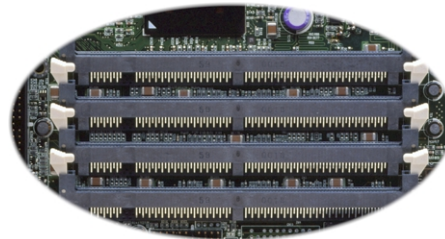


2.6.5 DIMM Slots

This motherboard has four 168-pin [DIMM sockets](#) that allow you to install PC100 or [PC133](#) Registered memory up to 4.0GB.




Note: The ServerSet™ III LE chipset only allows you using the Registered SRAM with it.




- DIMM 1
- DIMM 2
- DIMM 3
- DIMM 4

DIMM can be single side or double side; it has 64 bit data and 2 or 4 clock signals. We strongly

recommend choosing 4-clock SDRAM for its reliability



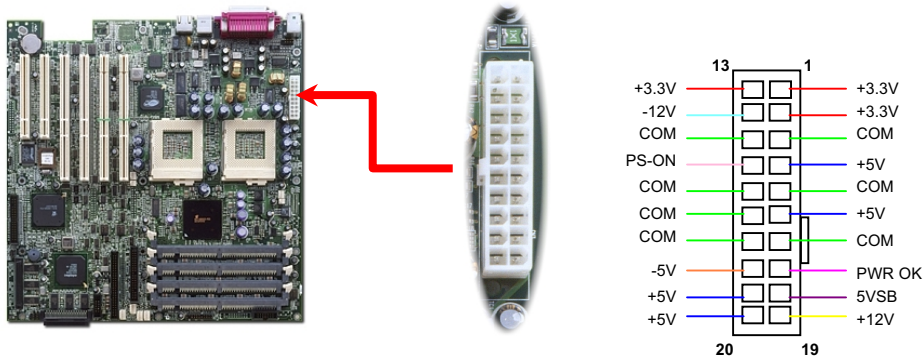
Tip: To identify 2-clock and 4-clock DIMM, you may check if there are traces connected to the golden finger pins 79 and 163 of the SDRAM. If there are traces, the SDRAM is probably 4-clock; otherwise, it is 2-clock.



Tip: To identify single-side or double-side DIMM, check golden finger pin 114 and pin 129. If there are traces connected to pin 114 and pin 129, the DIMM is probably double side; otherwise, it is single-side.

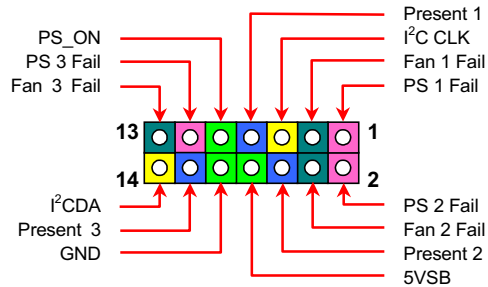
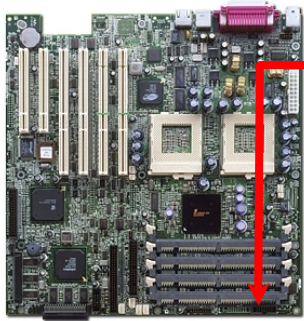
2.6.6 ATX Power Connector

The DX3R Plus uses 20-pins ATX power connector. Make sure you plug the connector in the right direction.



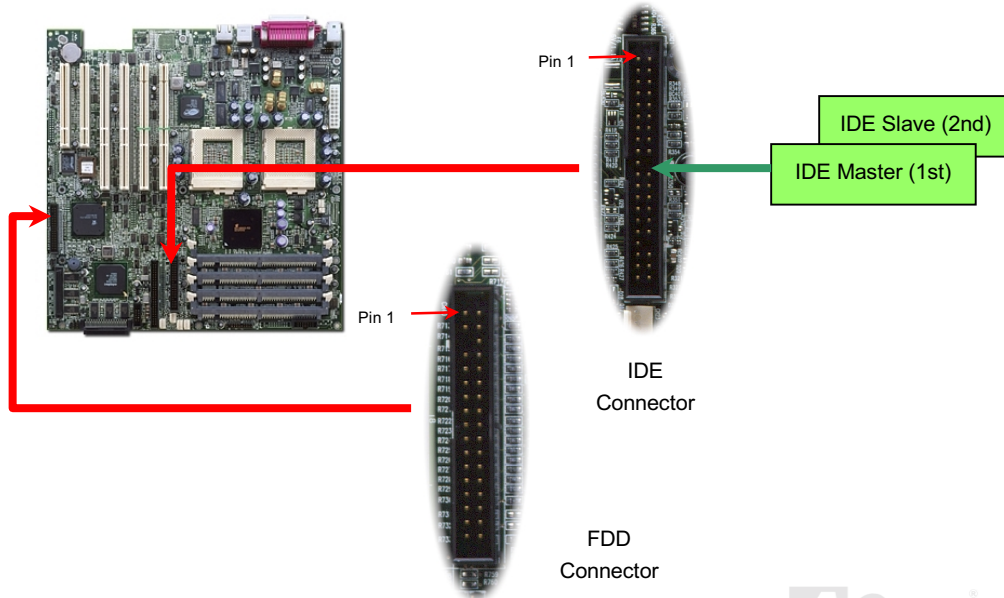
2.6.7 Redundant SPS Connector

The Redundant SPS connector provides the signal to hardware monitoring module if it had fail.




2.6.8 IDE and Floppy Connector


Connect 34-pin floppy cable and 40-pin IDE cable to floppy connector FDC and IDE connector. Pin1 of cable is normally marked with red color. Be careful of the pin1 orientation. Wrong orientation may cause system damage.



As known, each IDE channel supports two IDE devices. In order to work together, the two devices on each channel must be set differently to **Master** and **Slave** mode. Either one can be the hard disk or the CDROM. The setting as master or slave mode depends on the jumper on your IDE device, so please refer to your hard disk and CDROM manual accordingly.



Warning: *The specification of the IDE cable is a maximum of 46cm (18 inches), make sure your cable does not exceed this length.*



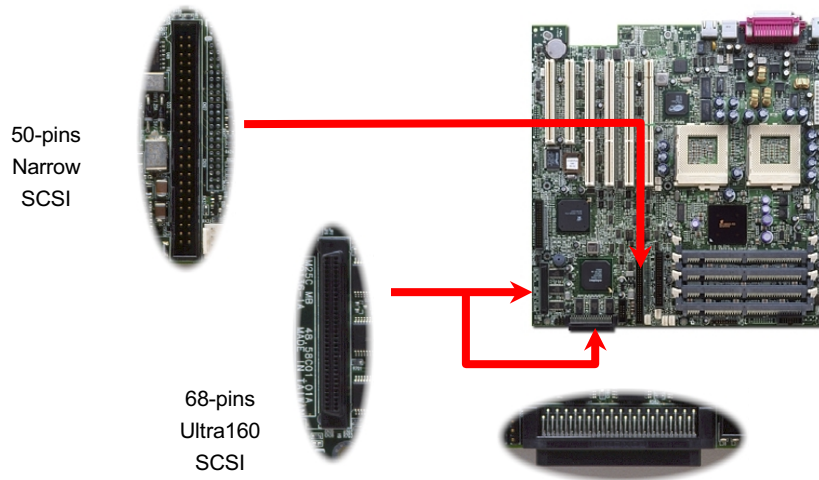
Tip: *For better signal quality, it is recommended to set the far end side device to master mode and follow the suggested sequence to install your new device. Please refer to above diagram.*

This motherboard supports [Ultra DMA/33](#) mode. Following table lists the transfer rate of IDE PIO and DMA modes. The IDE bus is 16-bit, which means every transfer is two bytes.

Mode	Clock per 33MHz PCI	Clock Count	Cycle Time	Data Transfer Rate
PIO mode 0	30ns	20	600ns	$(1/600\text{ns}) \times 2\text{byte} = 3.3\text{MB/s}$
PIO mode 1	30ns	13	383ns	$(1/383\text{ns}) \times 2\text{byte} = 5.2\text{MB/s}$
PIO mode 2	30ns	8	240ns	$(1/240\text{ns}) \times 2\text{byte} = 8.3\text{MB/s}$
PIO mode 3	30ns	6	180ns	$(1/180\text{ns}) \times 2\text{byte} = 11.1\text{MB/s}$
PIO mode 4	30ns	4	120ns	$(1/120\text{ns}) \times 2\text{byte} = 16.6\text{MB/s}$
DMA mode 0	30ns	16	480ns	$(1/480\text{ns}) \times 2\text{byte} = 4.16\text{MB/s}$
DMA mode 1	30ns	5	150ns	$(1/150\text{ns}) \times 2\text{byte} = 13.3\text{MB/s}$
DMA mode 2	30ns	4	120ns	$(1/120\text{ns}) \times 2\text{byte} = 16.6\text{MB/s}$
UDMA/33	30ns	4	120ns	$(1/120\text{ns}) \times 2\text{byte} \times 2 = 33\text{MB/s}$

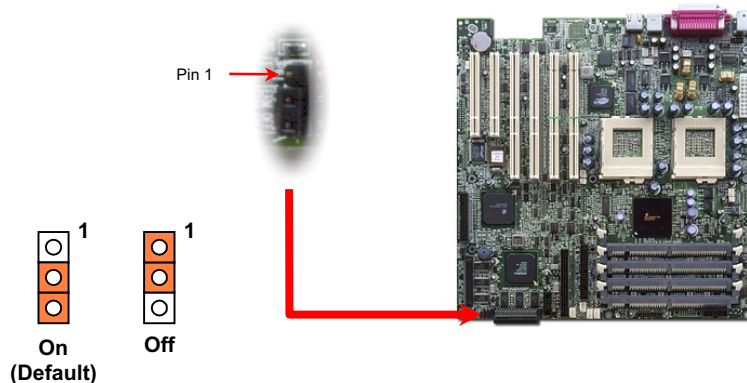
2.6.9 68-pins Ultra160/50-pins Narrow SCSI Connector

The DX3R Plus provides two 68-pins Ultra Wide/Ultra2/3 and one 50-pins Narrow SCSI connectors for 8/16-bit or 16-bit differential SCSI devices.



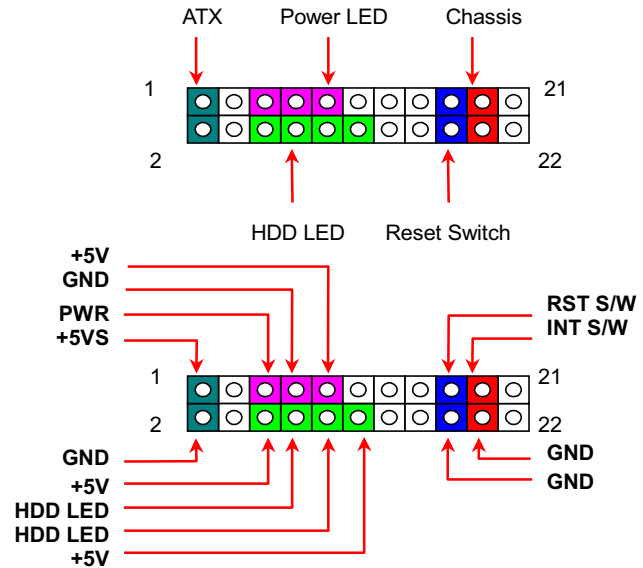
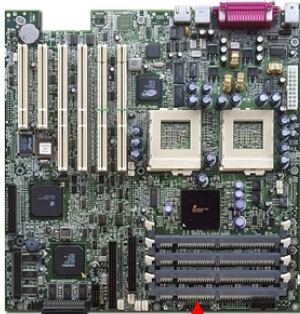
2.6.10 JP6 SCSI Channel Terminator Control

The **JP6** allows you to enable or disable the on-board SCSI terminator control function.



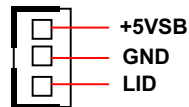
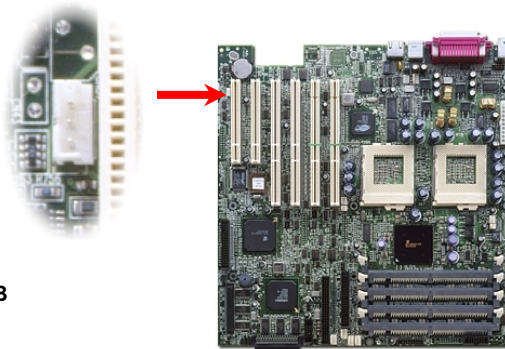
2.6.11 Front Panel Connector

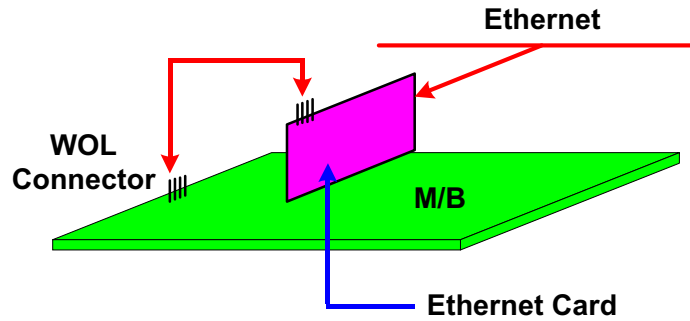
Attaching such as power LED, speaker, reset switch, power switch connector, etc.... to corresponding pins.



2.6.12 WOL (Wake on LAN) Connector

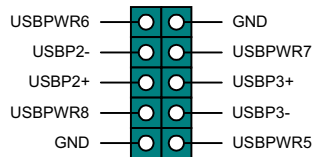
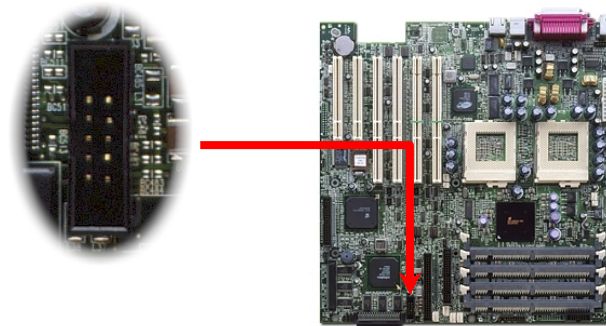
To use Wake On LAN function, you must have a Ethernet card with chipset that supports this feature, and connect a cable from LAN card to motherboard WOL connector. The system identification information (probably IP address) is stored on network card and because there is a lot of traffic on the Ethernet, you need to install network management software, such as ADM, for the checking of how to wake up the system. Note that, at least 600mA ATX standby current is required to support the LAN card for this function.





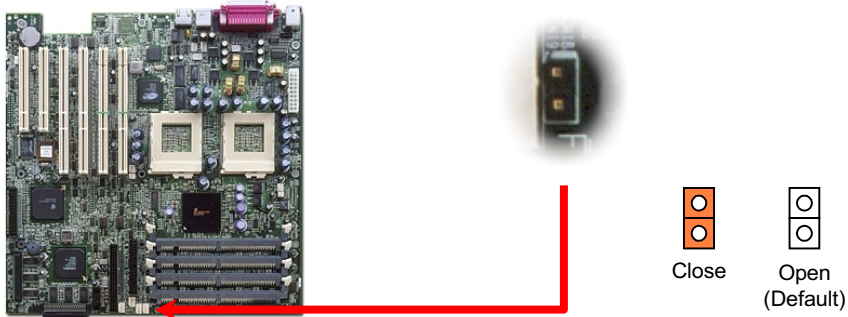
2.6.13 Support 2nd USB Port

This motherboard supports four USB ports. Two of them are on back panel connector, the other two are on the left-bottom area of this motherboard. With proper cable, you can connect them to front panel.



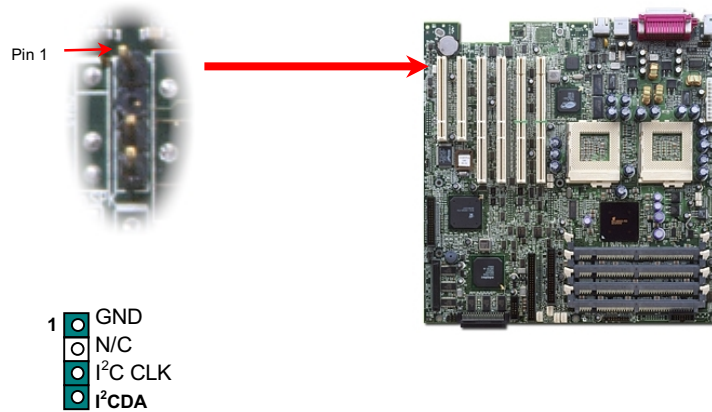
2.6.14 NMI (Non-Maskable Interrupt) Switch Jumper

Non- Maskable Interrupt used for event handling. When event is occurred, system will receive an NMI and execute a unique task. To disable this function, please short CN18 by jumper cap.



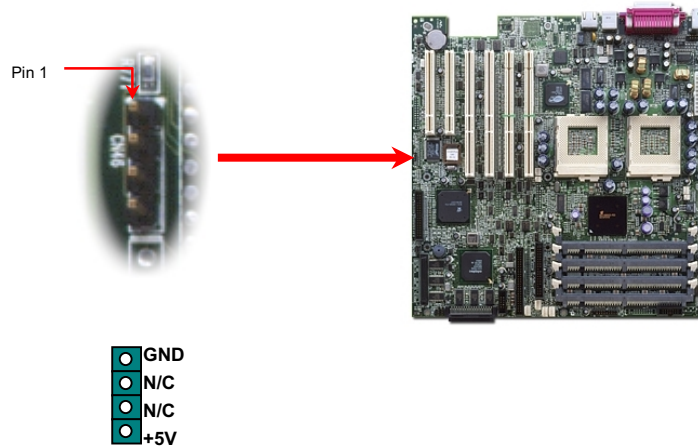
2.6.15 BP (Backplane) Connector

The BP connector provides the signals of BPL6 backplane to ASM (Advanced Server Management) software monitoring program, such as storage category, HDD fault, fan present, fan fault.



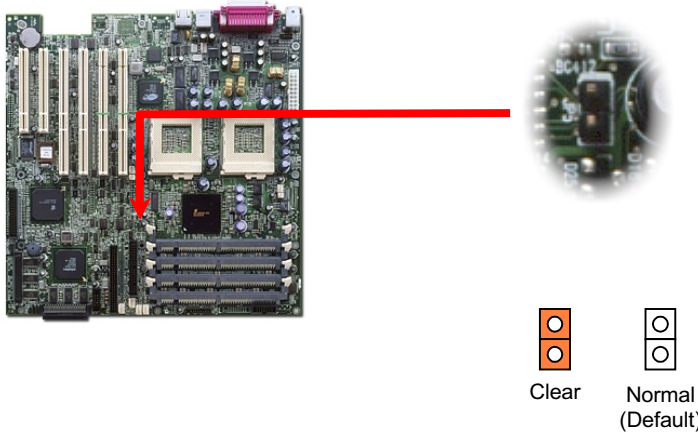
2.6.16 External Speaker Connector

If you want to use external case-mounted speaker instead of internal buzzer, the 4-pins external speaker connector can let you connect with external case-mounted speaker.



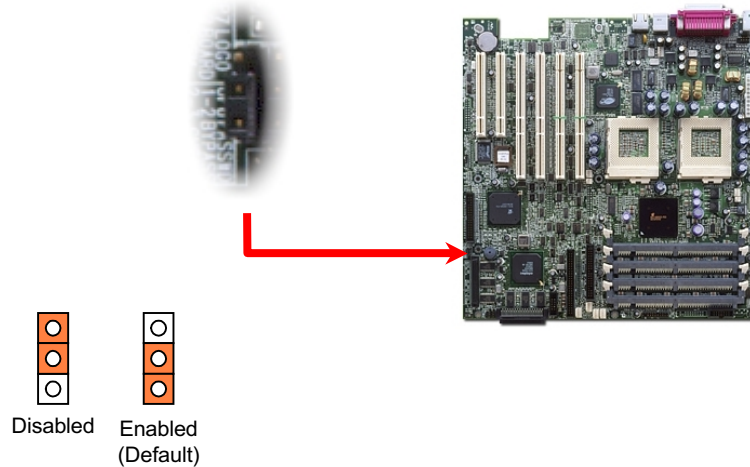
2.6.17 JP5 System Event Clear Jumper

The **JP5** allows you to clear the system event log record whenever the event log area is full. Please short the JP5 by jumper cap if you want to clear all of the event logs.



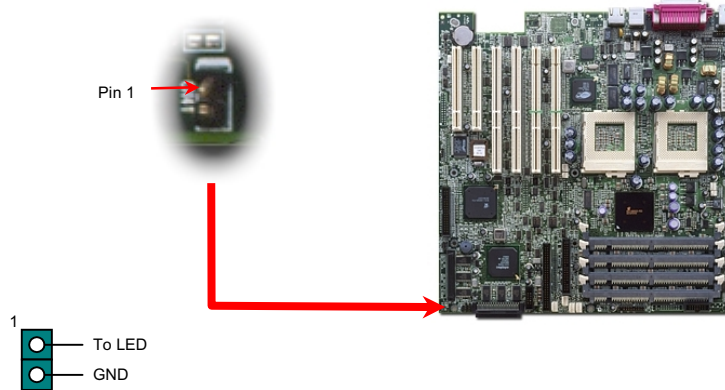
2.6.18 JP8 System BIOS Password Check

There is one jumper cap over pin2 and pin3 of JP8 for system BIOS password check. If you want to use the system without BIOS password check, please remove the jumper cap to short pin1 and pin2.



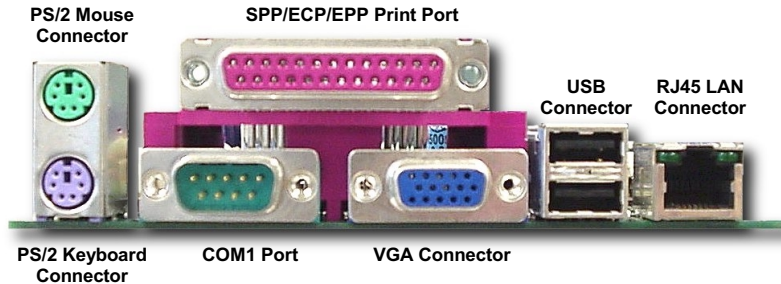
2.6.19 Event LED Connector

The DX3R Plus BIOS supports the system monitored event logs recording function. If there is any event happens or hard disk fails when you operate your system, the **Event LED** will keep flash to warn you.



2.6.20 PC99 Color Coded Back Panel

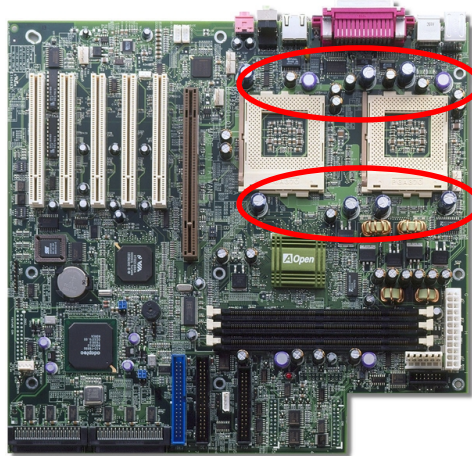
The onboard I/O devices are PS/2 Keyboard, PS/2 Mouse, serial ports COM1, Printer, [USB](#), and RJ45 LAN jack. The view angle of drawing shown here is from the back panel of the housing.



Note: The **COM2 Port connector** is behind the PS/2 Mouse & Keyboard connector. You can use the COM2 cable to connect with it.

2.6.21 Low ESR Capacitor

The quality of low ESR capacitor (Low Equivalent Series Resistor) during high frequency operation is very important for stability of CPU power. The location of where to put these capacitors is another know-how that requires experience and detail calculation.



Chapter 3 BIOS Setup Utility

Most of system had already configured by the manufacturer or the dealer. There is no need to run BIOS setup program when starting the computer unless you get a run setup program message.

The setup program loads configuration values into the battery-backed nonvolatile memory called CMOS RAM. This memory area is not part of the system RAM.



If you repeatedly receive Run Setup messages, the battery may be bad. In this case, the system cannot retain configuration values in CMOS. Ask a qualified technician for assistance.

The system will reboot immediately after you exit Setup.

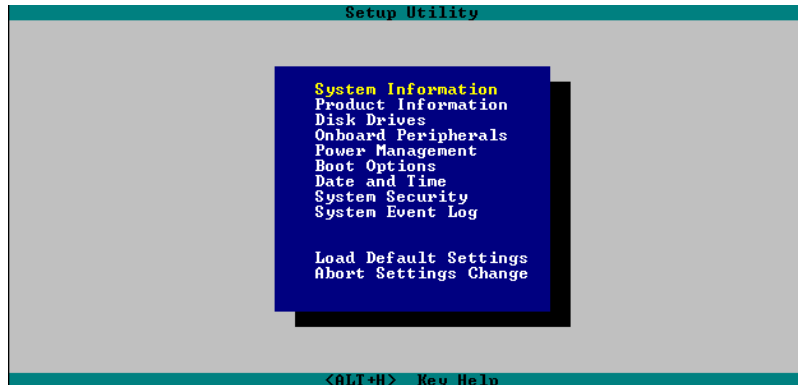
3.1 Entering Setup

To enter Setup, press the DELETE key.



You must press **DELETE** while the system is booting. This key does not work during any other time.

The Setup Utility Main Menu appears:



The system supports two BIOS Utility levels: Basic and Advanced.

If you are an advanced user, you may want to check the detailed configuration of your system.

Detailed system configurations are contained in the Advanced Level. To view the Advanced Level, press **F8**.



The asterisk (*) mark indicates that the parameter appears only when you are in the Advanced Level.

The parameters on the screens show default values.

These values may not be the same as those in your system.

The grayed items on the screens have fixed settings and are not user-configurable.

Use the arrow keys **↑** and **↓** to move around the Setup Utility screen.

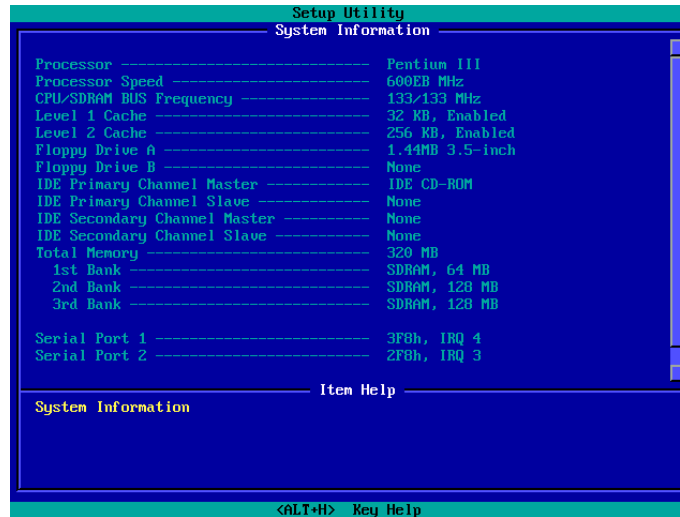
Use **←** to move to the next page or **→** to return to the previous page if the setup screen has more than one page available.

Use **PGUP**, **PGDN**, "+" or "-" to select the options if they are available.

Press **ESC** to return to the Main menu.

3.2 System Information

The following screen appears if you select System Information from the Main menu:



The System Information menu shows the current basic configuration of your system.

The sections below explain the parameters.

3.2.1 Processor

The Processor parameter specifies the type of processor currently installed in your system. The system supports Intel Pentium® II and Pentium® III processors.

3.2.2 Processor Speed

The Processor Speed parameter specifies the speed of the processor currently installed in your system.

3.2.3 CPU/SDRAM BUS Frequency

This parameter specifies the currently FSB (Front Side Bus) frequency of the CPU/SDRAM.

3.2.4 Level 1 Cache

This parameter specifies the first-level or the internal fast accessed memory (i.e., the memory integrated into the CPU) size, and whether it is enabled or disabled.

3.2.5 Level 2 Cache

This parameter specifies the second-level cache memory size that comes with the CPU. The available cache size is 256/512 KB.

3.2.6 Diskette Drive A

This parameter specifies the system's current diskette drive A settings.

3.2.7 Diskette Drive B

This parameter specifies the system's current diskette drive B settings.

3.2.8 IDE Primary Channel Master

This parameter specifies the current configuration of the IDE device connected to the master port of the primary IDE channel.

3.2.9 IDE Primary Channel Slave

This parameter specifies the current configuration of the IDE device connected to the slave port of the primary IDE channel.

3.2.10 Total Memory

This parameter specifies the total amount of onboard memory. The memory size is automatically detected by BIOS during the POST. If you install additional memory, the system automatically adjusts this parameter to display the new memory size.

1st Bank/2nd Bank/3rd Bank

The 1st Bank, 2nd Bank, and 3rd Bank parameters indicate the type and size of DRAM installed in DIMM sockets 1, 2, and 3 respectively. The "None" setting indicates that there is no DRAM installed. For the location of the DIMM sockets, refer to section 2.3 or 2.4.

3.2.11 1st/2nd/3rd Bank

Type and Size of DRAM installed in DIMM socket 1, 2, 3 and 4 respectively. The "None" setting indicates that there is no DRAM installed.

3.2.12 Serial Port 1

This parameter shows the serial port 1 address and IRQ setting.

3.2.13 Serial Port 2

This parameter shows the serial port 2 address and IRQ setting.

3.2.14 Parallel Port

This parameter shows the parallel port address and IRQ setting.

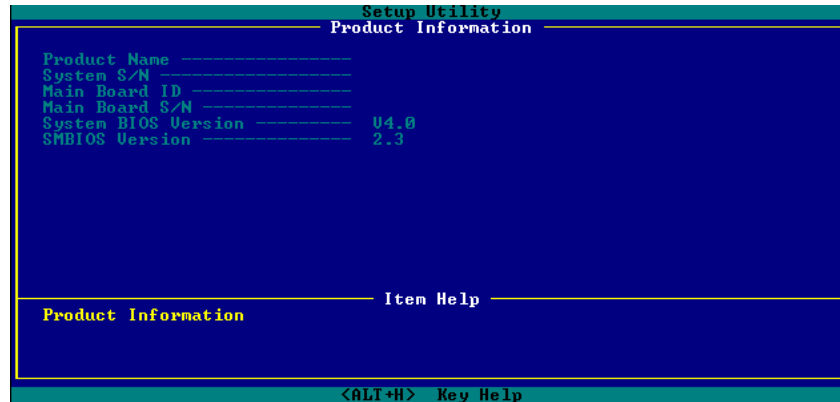
3.2.15 PS/2 Mouse

The BIOS utility automatically detects if there is a pointing device connected to your system. If there is, this parameter displays the **"Installed"** setting. Otherwise, this is set to **"None"**.

3.3 Product Information

The Product Information contains the general data about the system, such as the product name, serial number, BIOS version, etc. This information is necessary for troubleshooting (may be required when asking for technical support).

The following shows how the Product Information screen appears:



3.3.1 Product Name

This parameter specifies the official name of the system.

3.3.2 System S/N

This parameter specifies the system's serial number.

3.3.3 Main Board ID

This parameter specifies the motherboard's identification number.

3.3.4 Main Board S/N

This parameter specifies the motherboard's serial number.

3.3.5 System BIOS Version

This parameter specifies the version of the BIOS utility.

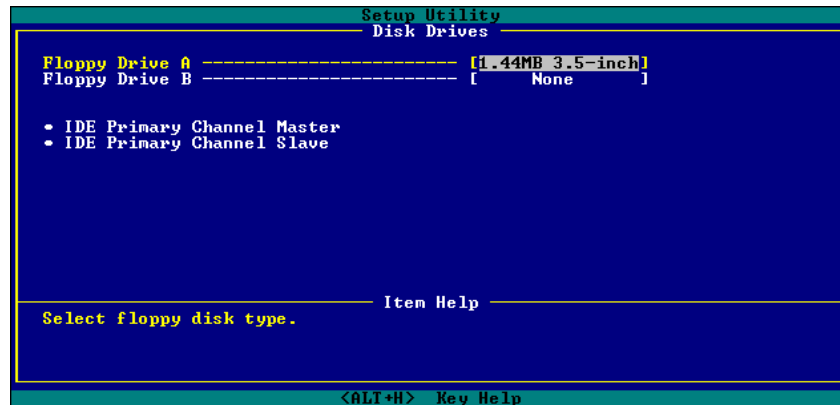
3.3.6 SMBIOS Version

This parameter specifies the version of the SMBIOS version.

3.4 Disk Drives

Select Disk Drives to input configuration values for disk drives.

The following screen shows the Disk Drives menu:



3.4.1 Floppy Drives

To enter the configuration value for the first floppy drive, highlight the Floppy Drive A parameter. Press **PGUP** or **PGDN** key to view the options and select the appropriate value.

Drive A/Drive B

None

360KB 5.25"

1.2MB 5.25"

720KB 3.5"

1.44MB 3.5"

2.88MB 3.5"

These items select the floppy drive type. The available settings and types supported by the motherboard are listed to the left.

Follow the same procedure to configure floppy drive B. Choose **None** if you do not have a second floppy drive.

3.4.2 IDE Drives

To configure the IDE drives connected to your system, select the parameter that represents the channel and port where the desired hard disk to configure is connected. The options are:

IDE Primary Channel Master

This option lets you configure the hard disk drive connected to the master port of IDE channel 1.

IDE Primary Channel Slave

This option lets you configure the hard disk drive connected to the slave port of IDE channel 1.

The following screen appears if you select any of the IDE Drive parameters:

```

Setup Utility
----- IDE Primary Channel Master -----
Device Detection Mode ----- [None]
Device Type ----- Hard Disk

Cylinder ----- [ 0]
Head ----- [ 0]
Sector ----- [ 0]
Size ----- [-----] M.B.

Hard Disk LBA Mode ----- [Disabled]

----- Item Help -----
Select or set the appropriate type of IDE drive.
User: Set parameters
Auto: Auto detection
None: No hard disk drive or other IDE drive

<ALT+H> Key Help
  
```

Device Detection Mode

<u>Device Detection</u> <u>Mode</u>
--

If you select “Manual”, you need to fill in all remaining field, such as Cylinder, Head, and Sector on this selected item. If the item “Auto” is selected, the

Auto (Default)
User
None

items will remain "0". And when the system boot up, system will detect the hard disk and configure it automatically. "None" means there is no device in the channel.

Device Type

This parameter shows which type of IDE drive currently used.

Cylinder

This parameter specifies the number of cylinders of your hard disk, and is automatically set depending on your Type parameter setting.

Head

This parameter specifies the number of heads of your hard disk, and is automatically set depending on your Type parameter setting.

Sector

This parameter specifies the number of sectors of your hard disk, and is automatically set

depending on your Type parameter setting.

Size

This parameter specifies the size of your hard disk, in MB.

Hard Disk LBA Mode

<u>Hard Disk Block Mode</u>
--

Auto (Default)

Disabled

This function enhances disk performance depending on the hard disk in use. If you set this parameter to **“Auto”**, the BIOS utility automatically detects if the installed hard disk drive supports the Block Mode function. If supported, it allows data transfer in blocks (multiple sectors) at a rate of 256 bytes per cycle. To disregard the feature, change the setting to **“Disable”**.

3.5 Onboard Peripherals

The Onboard Peripherals Configuration allows you to configure the onboard communication ports and the onboard devices. Selecting this option displays the following screen:

```
Setup Utility
-----
Onboard Peripherals

Serial Port 1 ----- [Enabled ]
  Base Address ----- [3F8h]
  IRQ ----- [4 ]
Serial Port 2 ----- [Enabled ]
  Base Address ----- [2F8h]
  IRQ ----- [3 ]

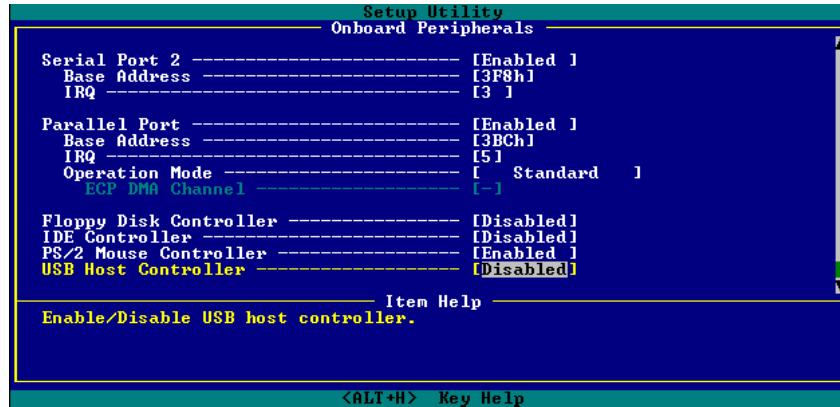
Parallel Port ----- [Enabled ]
  Base Address ----- [3BCCh]
  IRQ ----- [5 ]
  Operation Mode ----- [ Standard ]
  ECP DMA Channel ----- [-]

Floppy Disk Controller ----- [Disabled]

----- Item Help -----
Enable/Disable onboard serial port.

<ALT+H> Key Help
```

This page is the lower half of Onboard Peripherals submenu.



3.5.1 Serial Ports 1 and 2

Serial Port 1 & 2

Enabled (Default)

Disabled

These parameters allow you to enable or disable serial ports 1 and 2.

3.5.1.1 Base Address

Base Address

Serial Port 1:

3F8h (Default)

3E8h

2E8h

Serial Port 2:

2F8h (Default)

2E8h

3E8h

This item allows you to assign address and interrupt for the board serial port.

3.5.1.2 IRQ

IRQ

Serial Port 1:

4 (Default), 11

Serial Port 2:

3 (Default), 10

This function lets you assign an interrupt for serial ports 1 and 2. The options for serial ports 1 are IRQ 4 and 11. The options for serial port 2 are IRQ 3 and 10.



The Base Address and IRQ parameters for each port are configurable only if the port is enabled.

3.5.2 Parallel Port

Parallel Port

Enabled (Default)

Disabled

This parameter allows you to enable or disable the parallel port.

3.5.2.1 Base Address

Base Address

378h (Default)

3BCh

278h

This item allows you to assign address and interrupt for the board serial port.

3.5.2.2 IRQ

IRQ

7 (Default), 5

This function lets you assign an interrupt for the parallel port. The options are IRQ 5 and 7.



The Base Address and IRQ parameters are configurable only if Parallel Port is enabled.

If you install an add-on card that has a parallel port whose address conflicts with the onboard parallel port, a warning appears on the screen.

Check the parallel port address of the add-on card and change the address to one that does not conflict.

3.5.2.3 Operation Mode

Operation Mode

EPP (Default)

Bi-Directional

Standard

ECP

This item lets you set the parallel port mode. The mode options are Standard, Bi-directional, EPP (Enhanced Parallel Port) and ECP (Extended Parallel Port).

Setting	Function
Standard Parallel Port (Standard)	Allows normal speed one-way operation
Bi-directional Parallel Port (Bi-directional)	Allows normal speed operation in a two-way mode
Enhanced Parallel Port (EPP)	Allows bi-directional parallel port operation at maximum speed
Extended Capabilities Port (ECP)	Allows parallel port to operate in bi-directional mode and at a speed higher than the maximum data transfer rate

3.5.2.4 ECP DMA Channel**ECP Mode Use DMA**

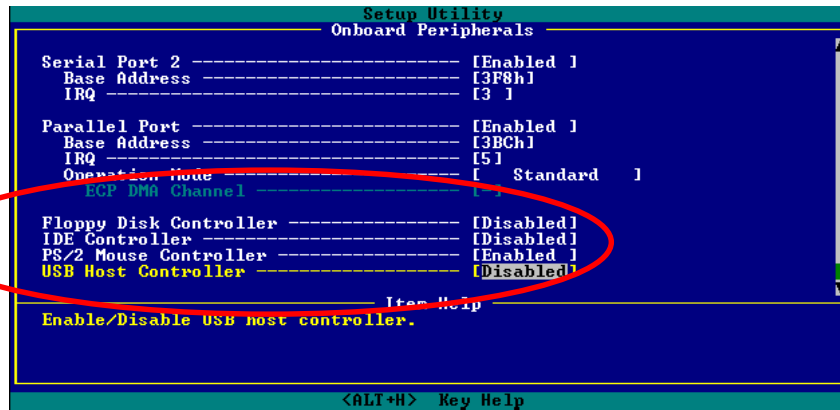
3

1 (Default)

This item becomes active only if you select Extended Capabilities Port (ECP) as the operation mode. It allows you to assign DMA channel 1 or DMA channel 3 for the ECP parallel port function (as required in Windows 95).

3.5.3 Onboard Device Settings

The Onboard Device Settings menu allows you to configure the onboard communication ports and the onboard devices. Selecting this option from the Onboard Peripherals menu displays the following screen:



3.5.3.1 Floppy Disk Controller

**Floppy Disk
Controller**

Enabled (Default)
Disabled

This parameter lets you enable or disable the onboard floppy disk controller.

3.5.3.2 IDE Controller

IDE Controller

Both (Default)
Primary
Disabled

Set this parameter to "**Primary**" to enable only the primary IDE controller; "**Both**" to enable both primary and secondary IDE controllers; or "**Disabled**" to disable all IDE controllers.

3.5.3.3 PS/2 Mouse Controller

**PS/2 Mouse
Controller**

Enabled (Default)
Disabled

This parameter enables or disables the onboard PS/2 mouse controller.

3.5.3.4 USB Host Controller

**USB Host
Controller**

Enabled (Default)
Disabled

This parameter lets you enable or disable the USB controller on board. When enabled, it activates the USB function of the system. When disabled, it deactivates the function.

3.5.3.5 USB Legacy Mode

USB Legacy Mode

Enabled
Disabled (Default)

This parameter lets you enable or disable the USB controller on board. When enabled, it activates the USB function of the system. When disabled, it deactivates the function.

3.5.3.6 On-board SCSI

On-board SCSI

Enabled (Default)
Disabled

This parameter lets you enable or disable the SCSI controller on board. When enabled, it activates the SCSI function of the system. When disabled, it also deactivates the function.

3.5.3.7 Onboard Ethernet Chip

On-board
Ethernet Chip

- Enabled (Default)
- Disabled

This parameter allows you to enable or disable the onboard network feature.

3.6 Power Management

The Power Management menu allows you to configure the system power-management feature.

The following screen shows the Power Management parameters and their default settings:

```
Setup Utility
Power Management

Power Management Mode ----- [Enabled ]
IDE Hard Disk Standby Timer ----- [OFF]
System Sleep Timer ----- [OFF]
Sleep Mode ----- [-----]

Power Switch < 4 sec. ----- [ Suspend ]

System wake-up event
Modem Ring Indicator ----- [Disabled]
PCI Power Management ----- [Disabled]
RTC Alarm ----- [Disabled ]
Resume Day ----- [---]
Resume Time ----- [---:--]
Restart on AC/Power Failure ----- [ Enabled ]

Item Help
Select <Enabled> to reduce power consumption or <Disabled> to
deactivate the power management features and timers.

<ALT+H> Key Help
```

This page is the lower half of Power Management submenu.

```

          Setup Utility
          Power Management

Power Management Mode ----- [Enabled ]
IDE Hard Disk Standby Timer ----- [OFF]
System Sleep Timer ----- [OFF]
Sleep Mode ----- [-----]

Power Switch < 4 sec. ----- [Power Off]

System wake-up event
Modem Ring Indicator ----- [Disabled]
PCI Power Management ----- [Disabled]
RTC Alarm ----- [Date/Time]
Resume Day ----- [ 1 ]
Resume Time ----- [00:00:00]
Restart on AC/Power Failure ----- [Enabled ]

          Item Help
When power failure occurs and this setting is <Enabled> / <Disabled> /
<Pre-state>, the system turns on/turns off/maintains last power state
when the power comes back.

          <ALT+H> Key Help
  
```



A parameter with an asterisk (*) mark indicates that the parameter appears only when you are using in the **Advanced Level**. See “**Entering Setup**” on Page

3.6.1 Power Management Mode

**Power
Management
Mode**

Enabled (Default)
Disabled

This parameter allows you to reduce power consumption. When this parameter is set to “**Enabled**”, you can configure the IDE hard disk and system timers. Setting it to “**Disabled**” deactivates the power-management feature and its timers.

3.6.1.1 IDE Hard Disk Standby Timer

**IDE Hard Disk
Standby Timer**

Off (Default)
1 to 15min

This parameter allows the hard disk to enter standby mode after inactivity of **1 to 15** minutes, depending on your setting. When you access the hard disk again, allow 3 to 5 seconds (depending on the hard disk) for the disk to return to normal speed. Set this parameter to “**Off**” if your hard disk does not support this function.

3.6.1.2 System Sleep Timer

System Sleep**Timer**

Off (Default)

120, 110, 100...20,

15, 10, 5, 2min

This parameter sets the system to the lowest power-saving mode after a specified period of inactivity. Any keyboard or mouse action or any activity detected from the IRQ channels resumes system operation.

3.6.1.3 Sleep Mode

Sleep Mode

Standby

Suspend (Default)

This parameter lets you specify the power-saving mode that the system will enter after a specified period of inactivity. The options are “**Standby**” and “**Suspend**” modes. This parameter becomes configurable only if the System Sleep Timer is enabled. Any keyboard or mouse action, or any enabled monitored activities occurring through the IRQ channels resume system operation.

3.6.2 Power Switch < 4 sec.

**Power Switch < 4
Sec.**

Suspend

Power Off (Default)

When set to "**Power Off**", the system automatically turns off when the power switch is pressed for less than 4 seconds. When set to "**Suspend**", the system enters the suspend mode when pressed for less than 4 seconds.

3.6.3 System Wake-up Event

The system wake-up event allows the system to resume operation when the modem ring indicator is enabled.

3.6.3.1 Modem Ring Indicator

**Modem Ring
Indicator**

Enabled

Disabled (Default)

When "**Enabled**" any fax/modem activity wakes up the system from suspend mode. The default setting is "**Disabled**".

3.6.3.2 PCI Power Management

PCI Power Management

Enabled (Default)
Disabled

This item allows you to enable or disable the PCI power management function.

3.6.3.3 RTC Alarm

RTC Alarm

Enabled
Disabled (Default)

This item allows you to set a certain time on a certain day to wake-up the system from suspend mode.

Resume Day

Resume Day

1 to 31

This item is displayed when you enable the “**RTC Timer**” option. Here you can specify what date you want to wake up the system. For example, setting to 15, the system will wake up on the 15th day of every month.

Resume Time**Resume Time**

hh:mm:ss

This item is displayed when you enable the RTC Wake Up Timer option. Here you can specify what time you want to wake up the system.

3.6.3.4 Restart On AC/Power Failure**Restart On
AC/Power Failure**

Enabled

Disabled (Default)

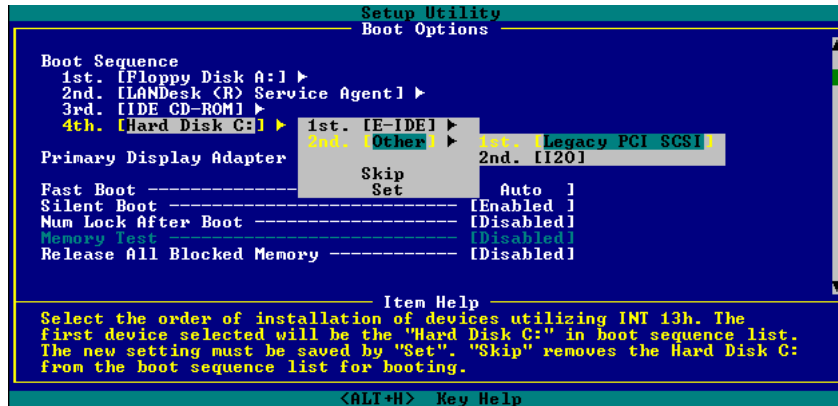
Pre-State

When "**Enabled**", the system automatically turns on when the power comes back. When "**Disabled**" the system turns off and does not turn on when the power comes back. When set to "**Pre-State**", the system maintains the last power state when the power comes back.

3.7 Boot Options

This option allows you to specify your preferred setting for boot up.

The following screen appears if you select Boot Options from the Basic Configuration menu:



3.7.1 Boot Sequence

This parameter allows you to specify the boot search sequence during POST.

- 1st. The system checks this drive first.
- 2nd. The system then checks this drive if it can not boot from the 1st specified drive.
- 3rd. If the 1st and 2nd searches fail then it boots from this drive.
- 4th. If the 1st, 2nd, and 3rd searches fail then it boots from this drive.

BIOS will display an error message if the drive(s) specified is not bootable.

3.7.2 Primary Display Adapter

**Primary Display
Adapter**

Auto

Onboard (Default)

This parameter lets you activate the onboard video controller as your primary display adapter, or automatically disable it once BIOS detects that there is a video card installed in your system.

3.7.3 Fast Boot

Fast Boot

Auto (Default)

Disabled

This parameter allows the system to boot faster by skipping some POST routines.

3.7.4 Silent Boot

Silent Boot

Enabled (Default)

Disabled

This parameter enables or disables the Silent Boot function. When set to "**Enabled**", BIOS is in graphical mode and displays only an identification logo during POST and while booting. After booting the screen displays the operating system prompt (such as DOS) or logo (such as Windows 95). If any error occurs while booting, the system automatically switches to the text mode.

Even if your setting is "**Enabled**", you may also switch to the text mode while booting by pressing when you see the "**Press DELETE key to enter setup**" message on the screen.

When set to "**Disabled**", BIOS is in the conventional text mode where you see the system initialization details on the screen.

3.7.5 Num Lock After Boot

**Num Lock After
Boot**

Enabled (Default)
Disabled

This parameter allows you to activate the Num Lock function upon booting.

3.7.6 Memory Test

Memory Test

Enabled
Disabled (Default)

When set to "Enabled", this parameter allows the system to perform a RAM test during the POST routine. When set to "Disabled", the system detects only the memory size and bypasses the test routine.

3.7.7 Release All Blocked Memory

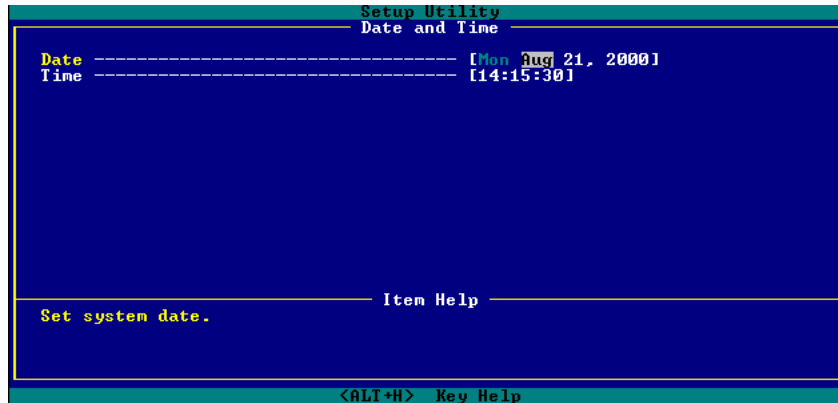
**Release All
Blocked Memory**

Enabled
Disabled (Default)

When set to "Enabled", this parameter allows system to bypass testing the defective memory banks detected earlier.

3.8 Date and Time

The real-time clock keeps the system date and time. After setting the date and time, you do not need to enter them every time you turn on the system. As long as the internal battery remains good (approximately seven years) and connected, the clock continues to keep the date and time accurately even when the power is off.



3.8.1 Date

Date

ww:mm:dd:yy

Highlight the items on the Date parameter and press **PGUP** or **PGDN** to set the date following the weekday-month-day-year format.

Valid values for weekday, month, day, and year are:

- Weekday: Sun, Mon, Tue, Wed, Thu, Fri, Sat
- Month: Jan, Feb, Mar, Apr, May, Jun, Jul, Aug, Sep, Oct, Nov, Dec
- Day: 1 to 31
- Year: 1980 to 2079

3.8.2 Time

Time

hh:mm:ss

Highlight the items on the Time parameter and press **PGUP** or **PGDN** to set the time following the hour-minute-second format.

Valid values for hour, minute, and second are:

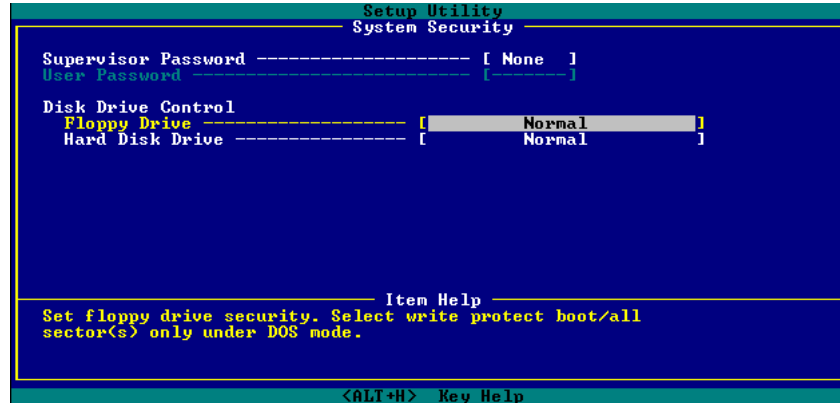
- Hour 00 to 23

- Minute 00 to 59
- Second 00 to 59

3.9 System Security

The Setup program has a number of security features to prevent unauthorized access to the system and its data.

The following screen appears if you select System Security from the Main menu:



3.9.1 Supervisor Password

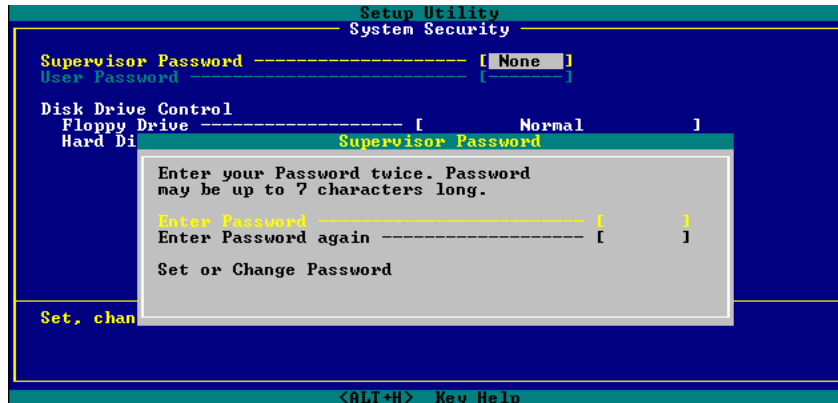
Supervisor**Password**

None (Default)

Present

This item can prevent unauthorized access to the BIOS utility.

The “**Present**” setting allows you to set a setup password.



1. Enable the Supervisor Password parameter in the System Security menu by pressing the ENTER key. The Supervisor Password windows will appear as shown above.
2. Type a password. The password may consist of up to seven characters.



Be very careful when typing your password because the actual characters do not appear on the screen.

3. Press the ENTER key. Re-type the password to verify your first entry then press ENTER key again.
4. Highlight the “**Set or change password**” option and press ENTER key.
5. Press the ESC key to return the System Security screen.
6. Press the ESC key to exit setup. The Exit Setup screen will appear.
7. Choose “**Yes**” to save your setting and exit Setup. Your password will be saved to CMOS.
8. If you want to remove the password, please select “**Disabled**” to disable this function.

3.9.2 User Password

User Password

None (Default)

Present

This item can secure your system against unauthorized use. Once you set this password, you have to type it whenever you boot the system. This item is available when only Supervisor Password is set.

3.9.3 Disk Drive Control

The disk drive control features allow you to control the floppy drive or the hard disk drive boot function to prevent loading operating systems or other programs from a certain drive while the other drives are operational (under DOS mode only).

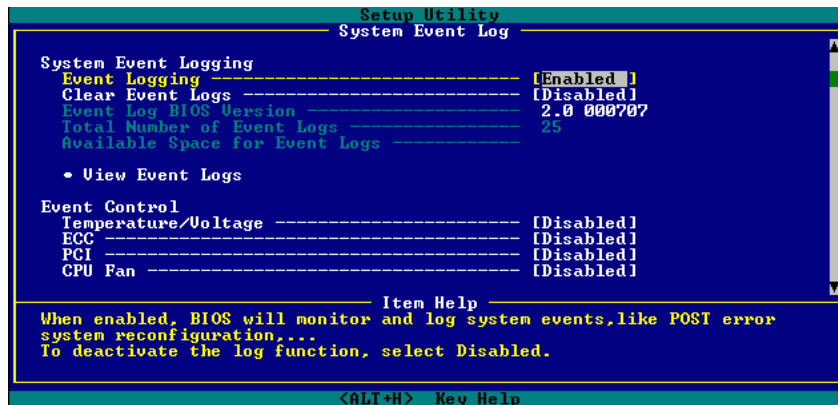
The table below lists the drive control settings and their corresponding functions.

Floppy Drive	
Setting	Description
Normal	Floppy drive functions normally
Write Protect All Sectors	Disables the write function on all sectors

Write Protect Boot Sector	Disables the write function only on the boot sector
Hard Disk Drive	
Setting	Description
Normal	Hard disk drive functions normally
Write Protect All Sectors	Disables the write function on all sectors
Write Protect Boot Sector	Disables the write function only on the boot sector

3.10 System Event Log

The system event log enables you to record and monitor events that occurs in your system like system temperature, fan stops, and others. This feature allows you to specify the appropriate settings for your system's event handling. Selecting the option displays the following screen:



This page is the lower half of System Event Log submenu.

```
Setup Utility
-----
System Event Log

Event Process
Action after Critical Event ----- [ NMI ]
POST Error Stop ----- [Disabled]

Threshold Event Control ----- [Disabled]

Temperature Threshold Setting
CPU ----- [40/55] °C
System ----- [ 0/ 2/35/40] °C

Voltage Threshold Setting
1st CPU Core Voltage ----- 2.05 U
2nd CPU Core Voltage ----- 2.05 U
CPU ----- [1.1]/1.2/1.5/1.6] U

----- Item Help -----
Set lower critical threshold for this sensor.

----- <ALT+H> Key Help -----
```

3.10.1 System Event Logging

This option allows you to record monitored events that occur during the operation of your system.

3.10.1.1 Event Logging

Event Logging

Enabled (Default)

Disabled

This item allows you to enable or disable the system event logging function.

3.10.1.2 Clear Event Logs

Clear Event Logs

Enabled

Disabled (Default)

This item allows you to enable or disable the system event logs clearing function. Please enable it if you want to clear the event log whenever the event log area is full.

3.10.1.3 Event Log BIOS Version

**Event Log BIOS
Version**

This parameter specifies the version of the Event Log BIOS.

3.10.1.4 Total Number of Event Logs

**Total Number of
Event Logs**

The currently number of events located in the event log area.

3.10.1.5 Available Space for Event Logs

**Available Space
for Event Logs**

The percentage of space that is still available for logging system events.

3.10.1.6 View Event Logs

View Event Logs

Opens the system event log file for viewing.

3.10.2 Events Control

This parameter monitors the following events and logs them into the event log file if there is a change in status.

3.10.2.1 Temperature/Voltage/Fan

Temperature/Voltage/Fan

Enabled (Default)

Disabled

Enable or disable the monitoring of the system's temperature, voltage, and CPU fan.

3.10.2.2 ECC

ECC

Enabled (Default)

Disabled

ECC or Error-Correcting Code tests the accuracy of data as it passes in and out of memory. This parameter enables or disables the monitoring of this function.

3.10.2.3 PCI

PCI

Enabled (Default)

Disabled

PCI or Peripheral Component Interconnect is a 32-bit bus that can run at clock speeds of 33 MHz. This parameter monitors the activity of this bus when set to enabled.

3.10.3 Event Process

3.10.3.1 Action After Critical Event

**Action After
Critical Event**

NMI (Default)

Power Cycle

Reset

This parameter allows you to select the action after BIOS finds a critical event. The critical events include multiple bits ECC error and PCI device error.

3.10.3.2 POST Error Stop

Post Error Stop

Enabled (Default)

Disabled

BIOS checking the bad CPUs and memory modules during POST. When this parameter is enabled, BIOS will stop POST operation whenever it finds a bad CPU or memory. Otherwise, if disabled the system will continue running.

3.10.4 Threshold Event Control

Threshold Event Control

Enabled

Disabled (Default)

This parameter lets you enabled or disabled the threshold event control function.

3.10.5 Temperature Threshold Setting

3.10.5.1 CPU

CPU

User Input

This item allows you to set the CPU critical temperature value.

3.10.5.2 System

System

User Input

This item allows you to set the system critical temperature value.

3.10.6 Voltage Threshold Setting

**Voltage Threshold
Setting**

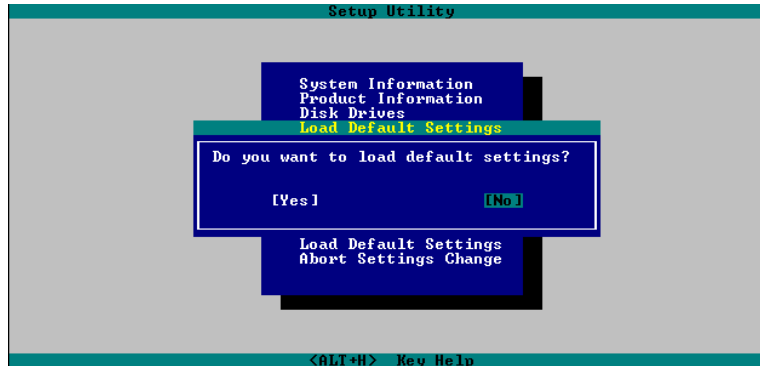
CPU

This parameter lets you setting CPU core voltage lower critical threshold value.

3.11 Load Default Settings

Use this option to load the default settings for the optimized system configuration. When you load the default settings, some of the parameters are grayed-out with their fixed settings. These grayed parameters are not user-configurable.

The following dialog box appears when you select Load Default Settings from the main menu:



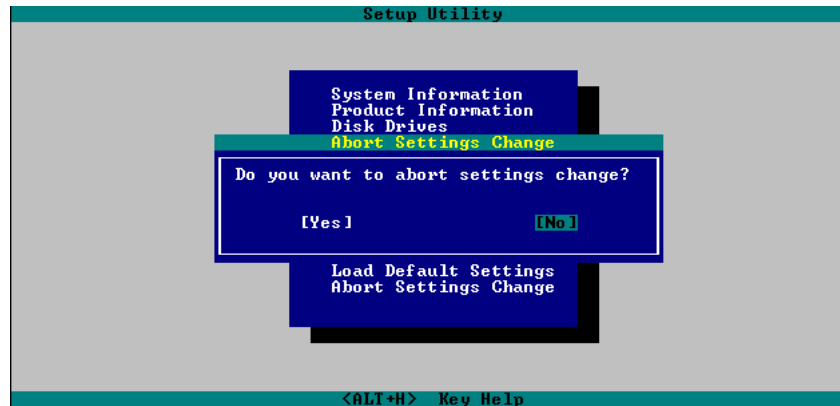
Select **"Yes"** to load the default settings.

Select **"No"** to ignore the message and return to the BIOS utility.

3.12 Abort Settings Change

Use this option to disregard your changes to the BIOS and reload your previous settings.

The following dialog box appears when you select Abort Settings Change from the main menu:



Select **"Yes"** to disregard your changes and reload your previous settings. After reload, the main menu appears on screen.

Select **"No"** to ignore the message and return to the BIOS utility.

Chapter 4 SCSISelect™ Utility

The SCSISelect™ utility allows you to change SCSI controller settings without opening the system or changing jumpers.

The table below lists the settings that you can change using the SCSISelect™ utility and the default value for each setting. Some settings apply globally to the SCSI controller and all SCSI devices on the bus. Other settings apply individually to each device on the bus.

Settings for the SCSI Controller and All Devices

Item	Default
Host Adapter SCSI ID	7
SCSI Parity Checking	Enabled
Host Adapter SCSI Termination	Enabled
Boot Device Option	0 (zero)
Host Adapter BIOS*	Enabled

* Some settings are valid only if the host adapter BIOS is enabled.

Support Removable Disks under BIOS as Hard Disks	Boot only
Extended BIOS Translation for DOS Drives > 1 GB	Enabled
Display <Ctrl-A> Message During BIOS Initialization	Enabled
Multiple LUN Support	Disabled
BIOS Support for Bootable CD-ROM	Enabled
Item	Default
BIOS Support for Int13 Extensions	Enabled
Support for Ultra SCSI Speed	Disabled

Individual Settings for SCSI Drives

Item	Default
Initiate Sync Negotiation	Yes
Maximum Sync Transfer Rate	160MB/sec.

Enable Disconnection	Yes
Send Start Unit SCSI Command*	No
Initiate Wide Negotiation	Yes

When to Use the SCSISelect™ Utility


Use the SCSI Select utility if you need to do any one of the following:

- Change any of the default values listed in the SCSI Controller and All Devices Table.
- Check and/or change SCSI device settings that may conflict with those of other devices.
- Perform low-level formatting on new SCSI disk devices.

* Some settings are valid only if the host adapter BIOS is enabled.




4.1 Running the SCSISelect™ Utility

A screen message giving the option to access the SCSISelect™ utility appears after the BIOS and POST routine.

To start the utility, press  + A when the following message appears during power-on or system reset:

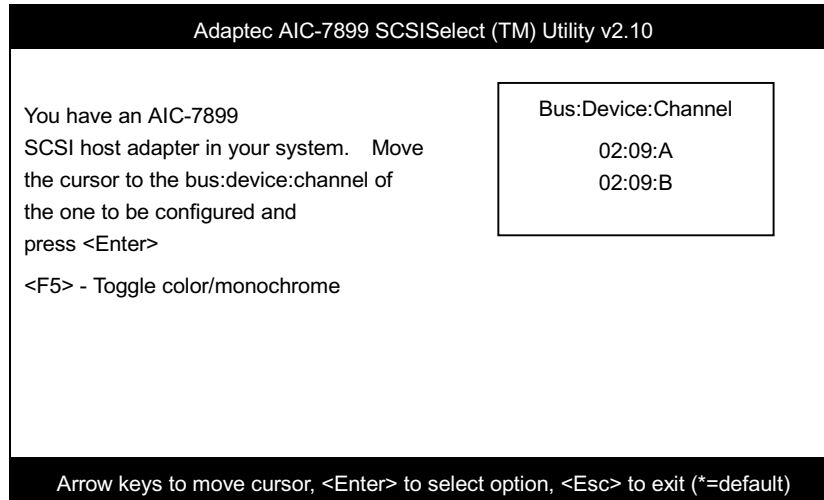
Press <Ctrl> <A> for SCSI*Se*lect™ Utility!



Your screen may show the key sequence as  + <Hot Key> instead of  + A. The correct sequence is  + A.

4.2 Utility Options

When the SCSI Select utility detects that the AIC-7899 SCSI controller is in the system, it displays the following Options menu:



4.2.1 Configuring Channel A

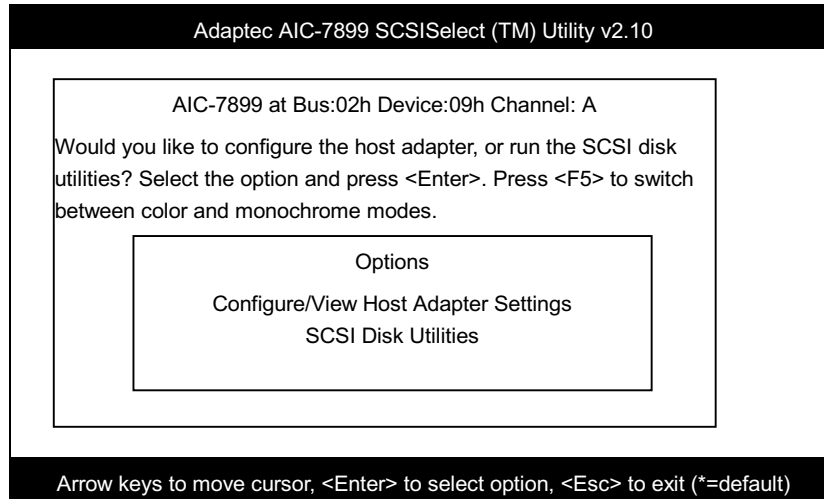
The following screens appear if you select Channel A:







If you choose to configure Channel B, a similar SCSI Utility Screen will appear. The only difference is the I/O Port Address:


A000h for Channel A

A400h for Channel B



Using  and  and then press  to make selections in the SCSISelect™ utility. Press  at any time to return to the previous menu.

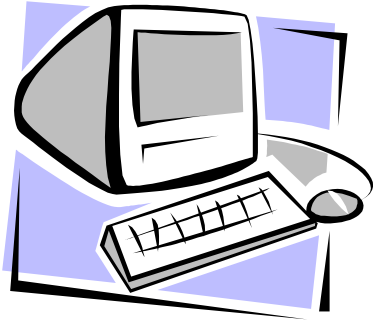


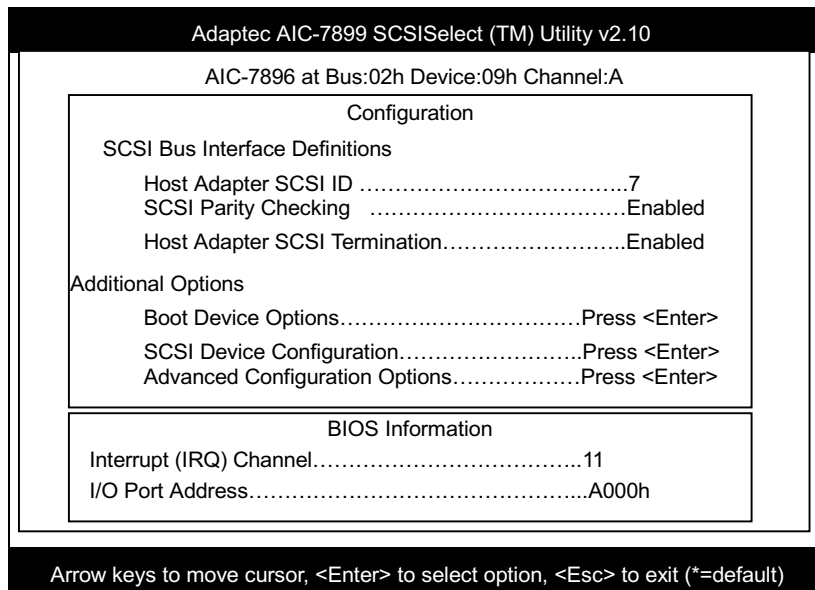
You can press  to toggle the display between color and monochrome modes.




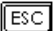
This feature may not work with some kinds of monitors.

4.3 Configure/View Host Adapter Settings Menu

The Configure/View Host Adapter Settings menu lists three settings under SCSI Bus Interface Definitions and three additional options.





Using  and  to select a parameter. Press  to display a pop-up menu with a list of possible settings for the parameter. Press  at any time to return to the previous menu.



SCSI controller default settings are marked with an asterisk (*) throughout the selection submenus.

4.3.1 Host Adapter SCSI ID

This parameter allows you to change the host controller SCSI ID. The following screen shows the available IDs used for the AIC-7899. The default setting is SCSI ID 7, which has the highest priority on the SCSI bus. We recommend that you keep the default setting since most system applications run only in this setting.

Adaptec AIC-7899 SCSISelect (TM) Utility v2.10





AIC-7899 at Bus:02h Device:09h Channel:A

Configuration		
SCSI Bus Interface Definitions	0	
Host Adapter SCSI ID	17
SCSI Parity Checking	2Enabled
Host Adapter SCSI Termination	3Enabled
Host Adapter SCSI Termination	4Enabled
Additional Options	5	
Boot Device Options.....	6Press <Enter>
SCSI Device Configuration.....	*7ress <Enter>
BIOS Info		
Interrupt (IRQ) Channel.....	9	
Interrupt (IRQ) Channel.....	1011
Interrupt (IRQ) Channel.....	11	

Arrow keys to move cursor, <Enter> to select option, <Esc> to exit (*=default)

Each device on the SCSI bus, including the SCSI controller, must be set to a unique SCSI ID. The SCSI ID serves two purposes. It uniquely identifies each SCSI device on the bus, and it determines

the device's priority on the bus during the arbitration phase. The arbitration phase determines which device controls the bus when two or more devices request for the use of it.

Using  and  then press  to select the SCSI ID if you need to change it. Press  at any time to return to the previous menu.

4.3.2 SCSI Parity Checking

Select this option to enable or disable the SCSI parity checking function on the SCSI controller. The screen below displays the selections. The default setting is **"Enabled"**.

Adaptec AIC-7899 SCSISelect (TM) Utility v2.10

AIC-7899 at Bus:02h Device:09h Channel:A

Configuration

SCSI Bus Interface Definitions

Host Adapter SCSI ID7

SCSI Parity CheckingEnabled

Host Adapter SCSI TerminationEnabled

* **Enabled**

Disabled

Additional Options

Boot Device Options.....Press <Enter>

SCSI Device Configuration.....Press <Enter>

Advanced Configuration Options.....Press <Enter>





BIOS Information

Interrupt (IRQ) Channel.....11

I/O Port Address.....A000h

Arrow keys to move cursor, <Enter> to select option, <Esc> to exit (*=default)

The SCSI controller always checks parity when reading from the SCSI bus to verify the correct transmission of data from the SCSI devices. You should disable the SCSI Parity Checking parameter if any of the installed SCSI devices do not support SCSI parity. Most currently available SCSI devices support this feature.

Using  and  then press  to select options. Press  at any time to return to the previous menu.

4.3.3 Boot Device Options

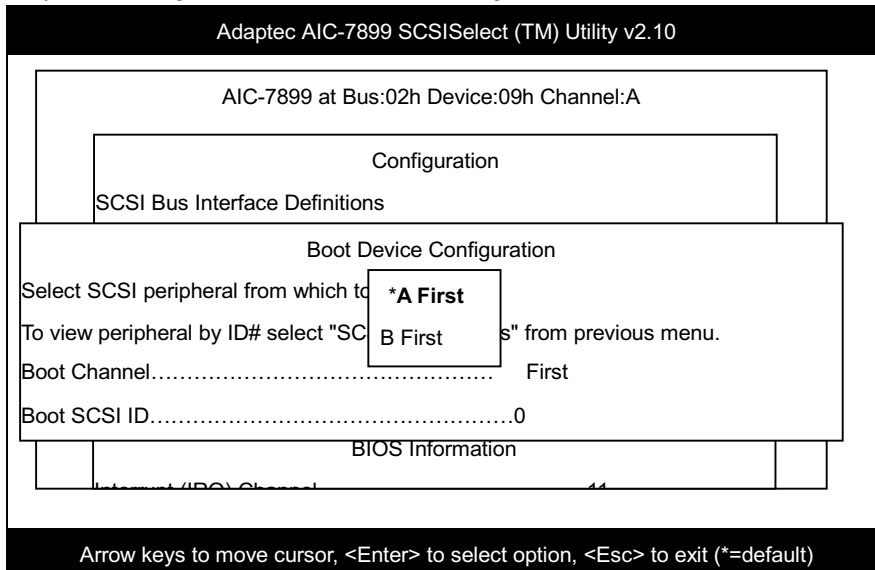
This parameter shows the target ID of your boot device. The default setting is 0 (zero). We recommend that you keep the default setting since most system applications run only in this setting. Below is the Boot Device Configuration menu screen.

```

Adaptec AIC-7899 SCSISelect (TM) Utility v2.10
-----
AIC-7899 at Bus:02h Device:09h Channel:A
-----
Configuration
-----
SCSI Bus Interface Definitions
Host Adapter SCSI ID .....7
-----
Boot Device Configuration
Select SCSI peripheral from which to boot.
To view peripheral by ID# select "SCSI Disk Utilities" from previous menu.
Boot Channel.....A First
Boot SCSI ID.....0
-----Option Listed Below Has NO EFFECT if MULTI LUN Support is disabled-----
Boot LUN Number.....0
-----
  
```

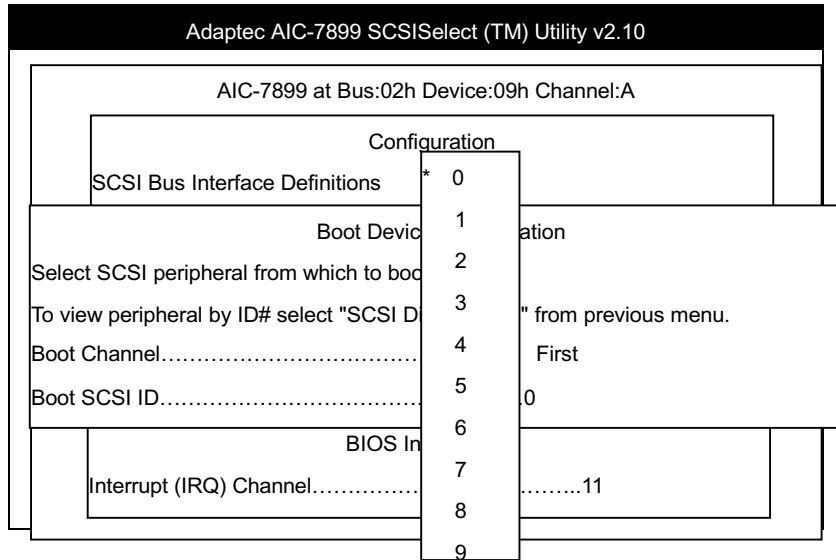
4.3.4 Boot Channel Options

This parameter lets you choosing boot the system from SCSI channel A or B first. The default setting is A (zero). We recommend that you keep the default setting since most system applications run only in this setting. Below is the Boot Device Configuration menu screen.



4.3.5 Boot SCSI ID Options

This parameter lets you choosing the SCSI ID of SCSI device to be a boot device. The default setting is 0 (zero). We recommend that you keep the default setting since most system applications run only in this setting. Below is the Boot Device Configuration menu screen.



4.3.6 Boot LUN Number Options

Adaptec AIC-7899 SCSISelect (TM) Utility v2.10

AIC-7899 at Bus:02h Device:09h Channel:A

Configurasion

SCSI Bus Interface Definitions

Boot Dev* 0

Select SCSI peripheral from which to boot 1

To view peripheral by ID# select "SCSI L 2 s" from previous menu.

Boot Channel..... 3 First

Boot SCSIID 4 0

BIO 5 on

Interrupt (IRQ) Channel..... 611

7

Arrow keys to move cursor, <Enter> to select option, <Esc> to exit (*=default)



4.3.7 Boot LUN Number

LUN (Logic unit number) can support more devices, like RAID box or RAID card.

4.3.7.1 SCSI Device Configuration




This parameter allows you to configure details of each SCSI device on the SCSI bus. The screen shows a column of information for each SCSI ID, even if some SCSI IDs are not assigned to a device. To configure a specific SCSI device, you need to know which SCSI ID it uses. See the SCSI Disk Utilities later in this section for instructions on how to determine the SCSI ID used by a device.




Adaptec AIC-7899 SCSISelect (TM) Utility v2.10

SCSI Device Configuration								
SCSI Device ID	#0	#1	#2	#3	#4	#5	#6	#7
Sync Transfer Rate (MB/Sec)	160.0	160.0	160.0	160.0	160.0	160.0	160.0	160.0
Initiate Wide Negotiation.....	Yes	Yes	Yes	Yes	Yes	Yes	Yes	Yes
Enable Disconnection.....	Yes	Yes	Yes	Yes	Yes	Yes	Yes	Yes
Send Start Unit Command.....	Yes	Yes	Yes	Yes	Yes	Yes	Yes	Yes
Enable Write Back Cache.....	N/C	N/C	N/C	N/C	N/C	N/C	N/C	N/C
-----Options Listed Below Have NO EFFECT if the BIOS is Disabled-----								
BIOS Multiple LUN Support.....	No	No	No	No	No	No	No	No
Include in BIOS Scan.....	Yes	Yes	Yes	Yes	Yes	Yes	Yes	Yes
SCSI Device ID	#8	#9	#10	#11	#12	#13	#14	#15

Arrow keys to move cursor, <Enter> to select option, <Esc> to exit (*=default)



Using  or  to move between options, then press  to display a pop-up menu with a list of values.

Using  or  to select a value, then press .

4.3.7.2 Sync Transfer Rate

This option determines the maximum synchronous data transfer rate that the SCSI controller can support. The SCSI controller supports rates up to the Fast Wide SCSI maximum of 80.0 MB per second. The default value is 80.0.

In most cases, you can use the maximum value of 80.0. However, if the SCSI controller is not set to negotiate data transfer (i.e., Initiate Sync Negotiation is set to No), the value selected here is the maximum rate that the SCSI controller accepts from the device during negotiation. This is a standard SCSI protocol.



Some older SCSI-1 devices do not support Fast SCSI data transfer rates. This may cause the system to operate erratically or hang if the transfer rate is too high.

4.3.7.3 Initiate Wide Negotiation

This option allows communication between all devices (lower 8-bit or upper 8-bit) on the wide (16-bit) SCSI bus. When set to **Yes**, each device can connect on the bus. When set to **No** (disabled), communication can only occur on the lower eight bits of the 16-bit SCSI bus. The default setting is **Yes**.

4.3.7.4 Enable Disconnection

This option determines whether the SCSI controller allows a SCSI device to disconnect from the SCSI bus (sometimes called Disconnect/Reconnect). Disconnect/Reconnect allows the SCSI controller to perform other operations on the SCSI bus while the SCSI device is temporarily disconnected.

When set to **Yes**, the SCSI device may disconnect from the SCSI bus. The SCSI device, however, may choose not to disconnect, even if permitted by the SCSI controller. When set to **No**, the SCSI device is not allowed to disconnect from the SCSI bus. The default setting is **Yes**.

Keep this item set to **Yes** if two or more SCSI devices are connected to the SCSI controller. This can optimize SCSI bus performance. If only one SCSI device is connected to the SCSI controller, set this item to **No** to achieve better system performance.

4.3.7.5 Send Start Unit Command

This option determines whether the Start Unit Command (SCSI command 1B) is sent to the SCSI

device (most devices do not require this). Enabling this item reduces the load on the system power supply by allowing the SCSI controller to power up SCSI devices one at a time upon booting. Otherwise, all the devices power up at the same time. Most devices require you to set a jumper before they can respond to this command.

When set to **Yes**, the Start Unit Command is sent to the SCSI device at system boot. When set to **No**, each SCSI device powers up in the normal procedure.



The Send Start Unit Command setting is valid only if the host adapter BIOS is enabled.

If this option is enabled for more than one SCSI device, the Start Unit Command is sent first to the device with the lowest SCSI ID. When this device responds to the SCSI controller, the Start Unit Command is sent to the next highest SCSI ID with a setting of Yes. The process continues until all supported devices respond to the SCSI controller.

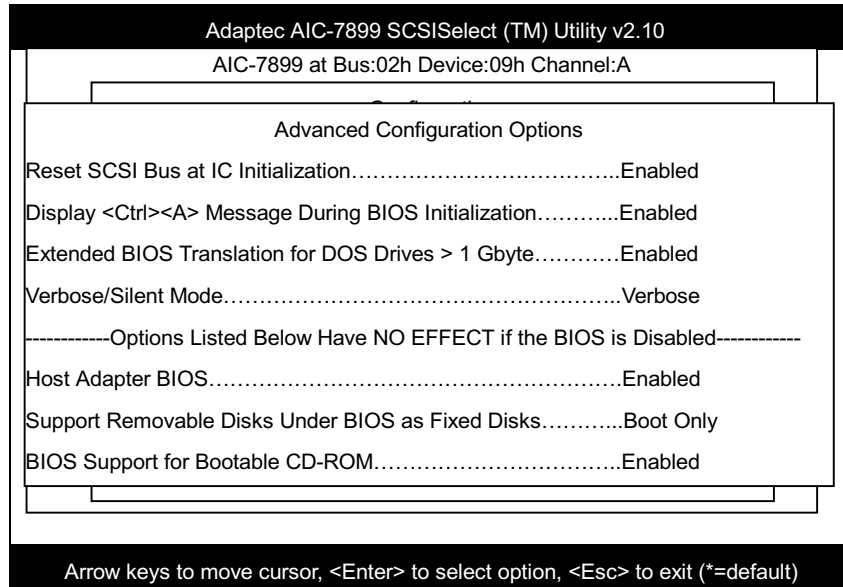
If many drives are set to **Yes** for Send Start Unit Command, the boot time varies depending on how long it takes each drive to spin up.



4.4 Advanced Configuration Options




Selecting the Advanced Configuration Options displays a screen as shown below. Do not change the settings of the items under this parameter unless it is absolutely necessary.



SCSISelect™
Utility



Using  or to move between options, then press  to display a pop-up menu with a list of options.

Using  or  to select an option, then press .

4.4.1 Host Adapter BIOS

This option enables or disables the SCSI controller BIOS. The default setting is **Enabled**.

The SCSI controller BIOS must be enabled if you want the system to boot from a SCSI hard disk drive connected to the SCSI controller. Several SCSISelect™ options cannot be used unless the SCSI controller BIOS is enabled.

4.4.2 Display <Ctrl-A> Message During BIOS Initialization

This option allows entering the SCSISelect™ utility during BIOS initialization. The default setting is **Enabled**.

4.4.3 Extended BIOS Translation for DOS Drives > 1 GByte

This option allows you to enable or disable extended translation for SCSI hard disks with a capacity greater than 1 GB. This is valid only if the SCSI controller BIOS is enabled. The default factory setting is **Enabled**.

When enabled, this option uses the following translation schemes:

- **SCSI hard disks < 1 GB** use a translation scheme of 64 heads, 32 sectors per track
- **SCSI hard disks > 1 GB** use a translation scheme of 255 heads, 63 sectors per track



See the section "Disk Drives Over 1 GB" in this chapter, for more information on this option. This option should be left disabled for most operating systems except DOS.

4.4.4 Support Removable Disks Under BIOS as Fixed Disks

This option allows you to control which removable-media drives are supported by the SCSI controller BIOS. This is only valid when the SCSI controller BIOS is enabled. The default setting is **Boot Only**. The following choices are available:

- **Boot Only** - Only the removable-media drive designated as the boot device is treated as a hard disk drive.
- **All Disks** - All removable-media drives supported by the BIOS are treated as hard disk drives.
- **Disabled** - No removable-media drives are treated as hard disk drives. In this case, software drivers are needed because the drives are not controlled by BIOS.

Support for removable-media drives means that the SCSI controller BIOS allows use of a

removable-media drive as if it is a hard disk drive. It does not mean that you can remove the disk media during operation.



If a removable-media SCSI device is controlled by the SCSI controller BIOS, do not remove the media while the drive is powered-on or you may lose data!

4.4.5 BIOS Support for Bootable CD-ROM

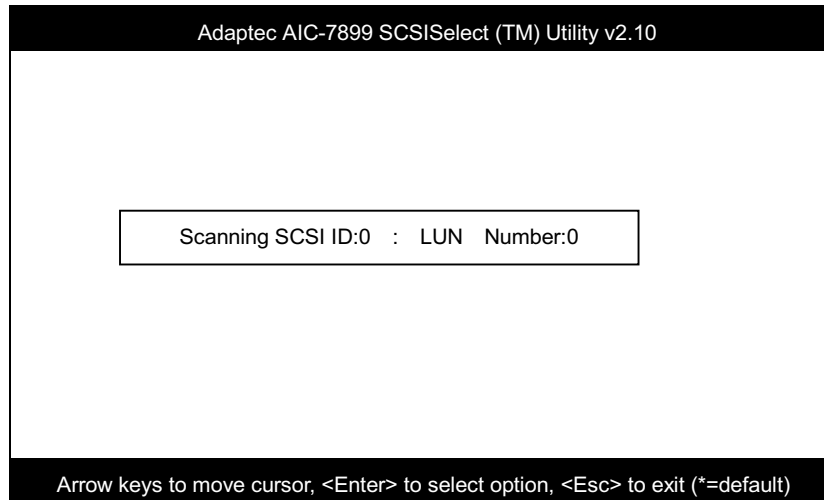
When enabled, this option allows you to use a bootable CD-ROM device to directly load an operating system. The default setting is **Enabled**.

4.4.6 BIOS Support for Int13 Extensions

This option allows access to attached SCSI devices through BIOS Int13 functions. The default setting is **Enabled**.

4.5 SCSI Disk Utilities

When you select SCSI Disk Utilities from the Options menu, the SCSISelect™ Utility scans the SCSI bus and lists all SCSI devices installed on the SCSI bus. The list shows the individual SCSI IDs assigned to each device on the SCSI bus.






```
Adaptec AIC-7899 SCSISelect (TM) Utility v2.10
AIC-7899 at Bus:02h Device:09h Channel:A

Select SCSI Disk and press <Enter>
SCSI ID #0:           No device
SCSI ID #1:           No device
SCSI ID #2:           No device
SCSI ID #3:           No device
SCSI ID #4:           No device
SCSI ID #5:           No device
SCSI ID #6:           No device
SCSI ID #7:           AIC-7896
SCSI ID #8:           No device

Arrow keys to move cursor, <Enter> to select option, <Esc> to exit (*=default)
```

Select a disk device to display a small menu window. From this menu, select **Format Disk** or **Verify Media**.

Using  or  to move between options, then press  to display a pop-up menu with a list of values.

Using  or  to select a value, then press .

4.5.1 Format Disk

The Format Disk utility performs a low-level format on disk devices.

Most SCSI disk devices are preformatted and do not need to be formatted again. The Adaptec Format Disk utility is compatible with the vast majority of SCSI disk drives. Run it on hard disk drives or removable-media drives that were previously used with a non-Adaptec SCSI controller.



A low-level format destroys all data on the drive. Be sure to back up your data before performing this operation. You cannot abort a low-level format once it is started.

4.5.2 Verify Media

The Verify Media utility scans the selected device's media for defects. If the utility finds bad blocks, it prompts you to reassign them. If you select **Yes**, those blocks will no longer be used.



You can press **ESC** at any time to abort the Verify Disk Media utility.

4.6 Disk Drives Over 1 GByte

4.6.1 Extended Translation

Adaptec SCSI controllers have always supported the full range of disk drive capacities under all major operating systems. As disk drives have recently grown beyond 1 GB in formatted capacity, they have run up against the DOS 1024-cylinder limit.

To continue its support for all SCSI disk drive capacities under DOS, Adaptec has included an extended translation scheme for the AIC-7896 SCSI controllers. This feature supports disk drives of up to 8 GB capacity under DOS. The section Extended BIOS Translation for DOS Drives > 1 GB explains how to change the setting of this option. Most operating systems leave this option disabled.

4.6.2 DOS 1 GByte Limit

All current versions of DOS are limited to 1024 cylinders per drive. The standard translation scheme for SCSI host controllers, using 64 heads and 32 sectors, gives a maximum capacity of 1 GB.

To eliminate the 1-GB limit, Adaptec's extended translation feature uses 255 heads and 63 sectors, extending the disk drive capacity limit under DOS to 8 GB.



If you have already partitioned a large hard disk drive with one translation method, conversion to another method erases the data on the drive. Be sure to back up your disk drive prior to any change in the translation method.

4.7 When to Use the Extended Translation

4.7.1 with DOS 5.0 and above

NetWare 386 (version 3.0 and above) and some versions of UNIX that do not share the 1024 cylinder limit of DOS do not require extended translation to support large disk drives and should not be enabled.

4.7.2 drives with mixed partitions

Use standard translation (not extended translation) on drives formatted with two or more partitions for different operating systems. Partitions for UNIX and NetWare can be larger than 1 GB when using standard translation.

4.7.3 Using FDISK

To install a new disk, or to re-partition an existing disk, use the FDISK DOS utility as you normally would. The cylinder size increases to 8 MB when you enable extended translation. The size of the partition you request must therefore be a multiple of 8 MB. If you request a partition size that is not a multiple of 8 MB, FDISK rounds up to the nearest whole multiple of 8 MB.

Glossary

AC97

Basically, AC97 specification separates sound/modem circuit to two parts, digital processor and a [CODEC](#) for analog I/O they are linked by AC97 link bus. Since digital processor can be put into motherboard main chipset, the cost of sound/modem onboard solution can be reduced.

ACPI (Advanced Configuration & Power Interface)

ACPI is the power management specification of PC97 (1997). It intends to save more power by taking full control of power management to operating system and bypass [BIOS](#). The chipset or super I/O chip needs to provide standard register interface to operating system (such as Windows 98). This is a bit similar as the [PnP](#) register interface. ACPI defines ATX momentary soft power switch to control the power state transition.

AGP (Accelerated Graphic Port)

AGP is a bus interface targeted for high-performance 3D graphic. AGP supports only memory read/write operation and single-master single-slave one-to-one only. AGP uses both rising and falling edge of the 66MHz clock, for 2X AGP, the data transfer rate is $66\text{MHz} \times 4\text{byte} \times 2 = 528\text{MB/s}$. AGP is now moving to 4X mode, $66\text{MHz} \times 4\text{byte} \times 4 = 1056\text{MB/s}$. AOpen is the first company to support 4X AGP motherboards by both AX6C (Intel 820) and MX64/AX64 (VIA 694x), started from Oct 1999.

AMR (Audio/Modem Riser)

The [CODEC](#) circuit of AC97 sound/modem solution can be put on motherboard or put on a riser card (AMR card) that connects to motherboard through AMR connector.

AOpen Bonus Pack CD

A disc bundled with AOpen motherboard product, there are motherboard drivers, Acrobat Reader for [PDF](#) online manual and other useful utilities.

APM

Unlike [ACPI](#), BIOS controls most APM power management functions. AOpen Suspend to Hard Drive is a good example of APM power management.

ATA/66

ATA/66 uses both rising edge and falling edge but doubles [UDMA/33](#) transfer rate. The data transfer rate is 4 times of the PIO mode 4 or DMA mode 2, 16.6MB/s x4 = 66MB/s. To use ATA/66, you need special ATA/66 IDE cable.

ATA/100

ATA/100 is a new IDE specification under developing. ATA/100 uses both rising edge and falling edge as [ATA/66](#) but clock cycle time is reduced to 40ns. The data transfer rate is (1/40ns) x 2 bytes x 2 = 100MB/s. To use ATA/100, you need special 80-wire IDE cable, the same as ATA/66.

BIOS (Basic Input/Output System)

BIOS is a set of assembly routine/program that reside in [EPROM](#) or [Flash ROM](#). BIOS controls Input/output devices and other hardware devices of motherboard. In general, to provide hardware independent portability, operation system and drivers is required to access BIOS without directly access hardware devices.

Bus Master IDE (DMA mode)

The traditional PIO (Programmable I/O) IDE requires the CPU to involve in all the activities of the IDE access including waiting for the mechanical events. To reduce the workload of the CPU, the bus master IDE device transfers data from/to memory without interrupting CPU, and releases CPU to operate concurrently while data is transferring between memory and IDE device. You need the bus master IDE driver and the bus master IDE HDD to support bus master IDE mode.

CODEC (Coding and Decoding)

Normally, CODEC means a circuit that can do digital to analog conversion and also the analog to digital conversion. It is part of [AC97](#) sound/modem solution.

DIMM (Dual In Line Memory Module)

DIMM socket has total 168-pin and supports 64-bit data. It can be single or double side, the golden finger signals on each side of PCB are different, that is why it was called Dual In Line. Almost all DIMMs are made by [SDRAM](#), which operate at 3.3V. Note that some old DIMMs are made by FPM/[EDO](#) and only operate at 5V. Do not confuse them with SDRAM DIMM.

ECC (Error Checking and Correction)

The ECC mode needs 8 ECC bits for 64-bit data. Each time memory is accessed, ECC bits are updated and checked by a special algorithm. The ECC algorithm has the ability to detect double-bit error and automatically correct single-bit error while parity mode can only detect single-bit error.

EDO (Extended Data Output) Memory

The EDO DRAM technology is actually very similar to FPM (Fast Page Mode). Unlike traditional FPM that tri-states the memory output data to start the pre-charge activity, EDO DRAM holds the memory data valid until the next memory access cycle, that is similar to pipeline effect and reduces one clock state.

EEPROM (Electronic Erasable Programmable ROM)

Also known as E²PROM. Both EEPROM and [Flash ROM](#) can be re-programmed by electronic signals, but the interface technology is different. Size of EEPROM is much smaller than flash ROM, AOpen motherboard uses EEPROM for jumper-less and battery-less design.

EPROM (Erasable Programmable ROM)

Traditional motherboard stores BIOS code in EPROM. EPROM can only be erased by ultra-violet (UV) light. If BIOS has to be upgraded, you need to remove EPROM from motherboard, clear by UV light, re-program, and then insert back.

EV6 Bus

EV6 Bus in the technology of Alpha processor from Digital Equipment Corporation. EV6 bus uses both rising and falling clock edge to transfer data, similar as DDR SDRAM or ATA/66 IDE bus.

EV6 Bus Speed = CPU external bus clock x 2.

For example, 200 MHz EV6 bus is actually using 100 MHz external bus clock, but the equivalent speed is 200 MHz.

FCC DoC (Declaration of Conformity)

The DoC is component certification standard of FCC EMI regulations. This standard allows DIY component (such as motherboard) to apply DoC label separately without a shielding of housing.

FC-PGA

FC means Flip Chip, FC-PGA is a new package of Intel for Pentium III CPU. It can plug into SKT370 socket, but require motherboard to add some signals on socket 370. That is, the motherboard needs to be redesigned. Intel is going to ship FC-PGA 370 CPU and phase out slot1 CPU.

Flash ROM

Flash ROM can be re-programmed by electronic signals. It is easier for BIOS to upgrade by a flash utility, but it is also easier to be infected by virus. Because of increase of new functions, BIOS size is increased from 64KB to 256KB (2M bit). AOpen AX5T is the first board to implement 256KB (2Mbit) Flash ROM. Now flash ROM size is moving to 4M bit on AX6C (Intel 820) and MX3W (Intel 810) motherboard.

FSB (Front Side Bus) Clock

FSB Clock means CPU external bus clock.

CPU internal clock = CPU FSB Clock x CPU Clock Ratio

I²C Bus

See [SMBus](#).

P1394

P1394 (IEEE 1394) is a standard of high-speed serial peripheral bus. Unlike low or medium speed [USB](#), P1394 supports 50 to 1000Mbit/s and can be used for video camera, disk and LAN.

Parity Bit

The parity mode uses 1 parity bit for each byte, normally it is even parity mode, that is, each time the memory data is updated, parity bit will be adjusted to have even count "1" for each byte. When next time, if memory is read with odd number of "1", the parity error is occurred and this is called single bit error detection.

PBSRAM (Pipelined Burst SRAM)

For Socket 7 CPU, one burst data read requires four QWord (Quad-word, 4x16 = 64 bits). PBSRAM only needs one address decoding time and automatically sends the remaining QWords to CPU according to a predefined sequence. Normally, it is 3-1-1-1, total 6 clocks, which is faster than asynchronous SRAM. PBSRAM is often used on L2 (level 2) cache of Socket 7 CPU. Slot 1 and Socket 370 CPU do not need PBSRAM.

PC100 DIMM

[SDRAM](#) DIMM that supports 100MHz CPU [FSB](#) bus clock.

PC133 DIMM

[SDRAM](#) DIMM that supports 133MHz CPU [FSB](#) bus clock.

PDF Format

A file format for electronic document, PDF format is independent from platform, you can read PDF file under Windows, Unix, Linux, Mac ... with different PDF reader. You can also read PDF file by web browser such as IE and Netscape, note that you need to install PDF plug-in first (Included in Acrobat Reader).

PnP (Plug and Play)

The PnP specification suggests a standard register interface for both BIOS and operating system (such as Windows 95). These registers are used by BIOS and operating system to configure system resource and prevent any conflicts. PnP BIOS or operating system will automatically allocate the IRQ/DMA/Memory. Currently, almost all the PCI cards and most ISA cards are already PnP compliant.

POST (Power-On Self Test)

The BIOS self-test procedure after power-on, sometimes, it is the first or the second screen shown on your monitor during system boot.

RDRAM (Rambus DRAM)

Rambus is a memory technology that uses large burst mode data transfer. Theoretically, the data transfer should be high than [SDRAM](#). RDRAM is cascaded in channel operation. For Intel 820, only one RDRAM channel is supported, 16-bit data per channel, and this channel may have maximum 32 RDRAM devices, no matter how many [RIMM](#) sockets.

RIMM

184-pin memory module that supports [RDRAM](#) memory technology. A RIMM memory module may contain up to maximum of 16 RDRAM devices.

SDRAM (Synchronous DRAM)

SDRAM is one of the DRAM technologies that allows DRAM to use the same clock as the CPU host bus ([EDO](#) and FPM are asynchronous and do not have clock signal). It is similar as [PBSRAM](#) to use burst mode transfer. SDRAM comes in 64-bit 168-pin [DIMM](#) and operates at 3.3V. AOpen is the first company to support dual-SDRAM DIMMs onboard (AP5V), from Q1 1996

SIMM (Single In Line Memory Module)

SIMM socket is only 72-pin, and is only single side. The golden finger signals on each side of PCB are identical. That is why it was called Single In Line. SIMM is made by FPM or [EDO](#) DRAM and supports 32-bit data. SIMM had been phased out on current motherboard design.

SMBus (System Management Bus)

SMBus is also called I2C bus. It is a two-wire bus developed for component communication (especially for semiconductor IC). For example, set clock of clock generator for jumper-less motherboard. The data transfer rate of SMBus is only 100Kbit/s, it allows one host to communicate with CPU and many masters and slaves to send/receive message.

SPD (Serial Presence Detect)

SPD is a small ROM or [EEPROM](#) device resided on the [DIMM](#) or [RIMM](#). SPD stores memory module information such as DRAM timing and chip parameters. SPD can be used by [BIOS](#) to decide best timing for this DIMM or RIMM.

Ultra DMA/33

Unlike traditional PIO/DMA mode, which only uses the rising edge of IDE command signal to transfer data. UDMA/33 uses both rising edge and falling edge, the data transfer rate is double of the PIO mode 4 or DMA mode 2.

16.6MB/s x2 = 33MB/s

USB (Universal Serial Bus)

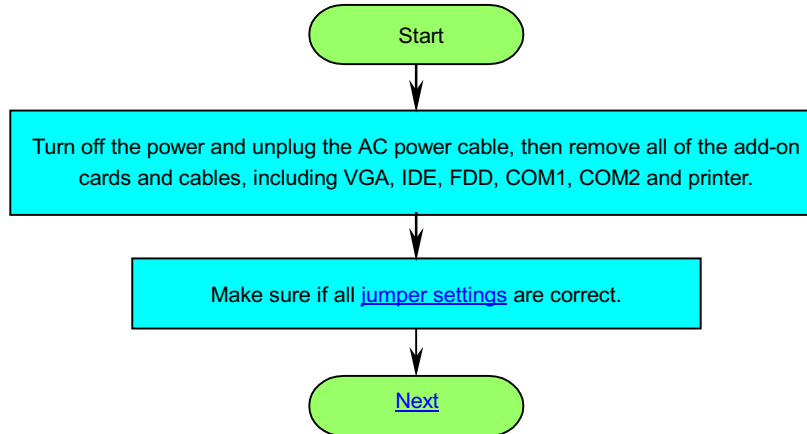
USB is a 4-pin serial peripheral bus that is capable of cascading low/medium speed peripherals (less than 10Mbit/s) such as keyboard, mouse, joystick, scanner, printer and modem. With USB, the traditional complex cables from back panel of your PC can be eliminated.

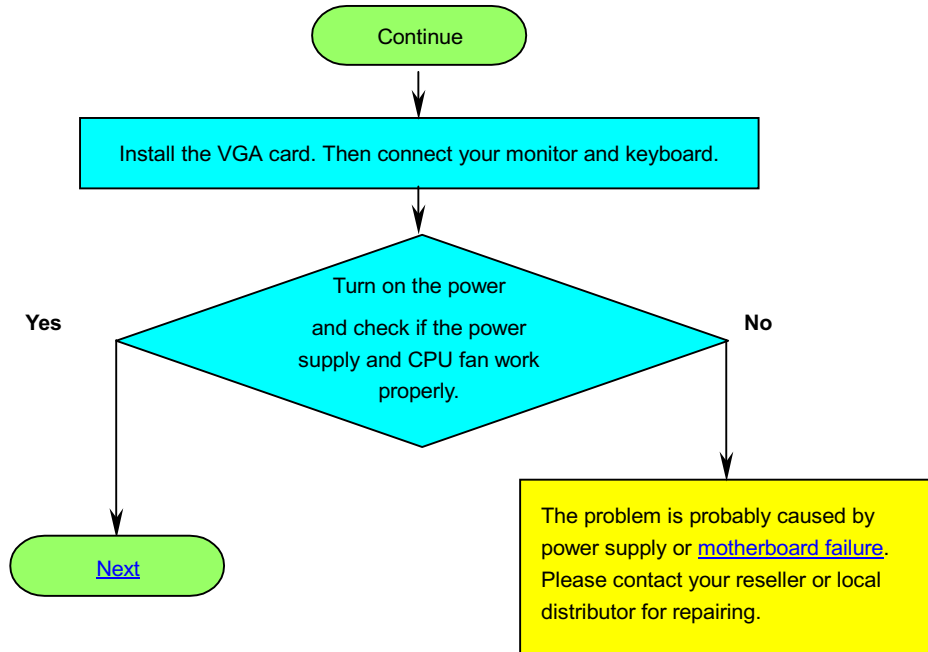
VCM (Virtual Channel Memory)

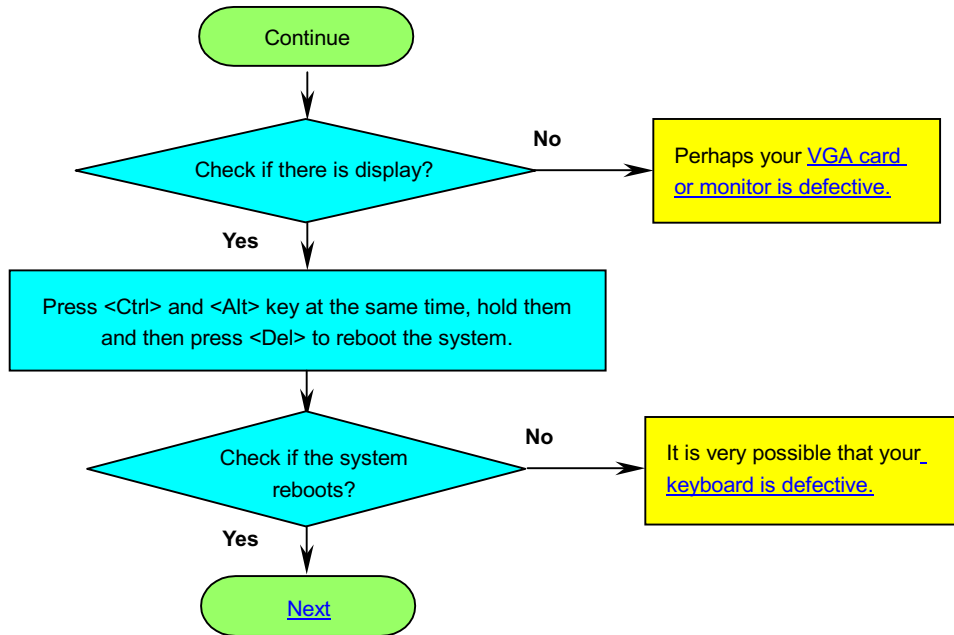
NEC's Virtual Channel Memory (VCM) is a new DRAM core architecture that dramatically improves the memory system's ability to service multimedia requirements. VCM increases memory bus efficiency and performance of any DRAM technology by providing a set of fast static registers between the memory core and I/O pins. Using VCM technology results in reduced data access latency and reduced power consumption.

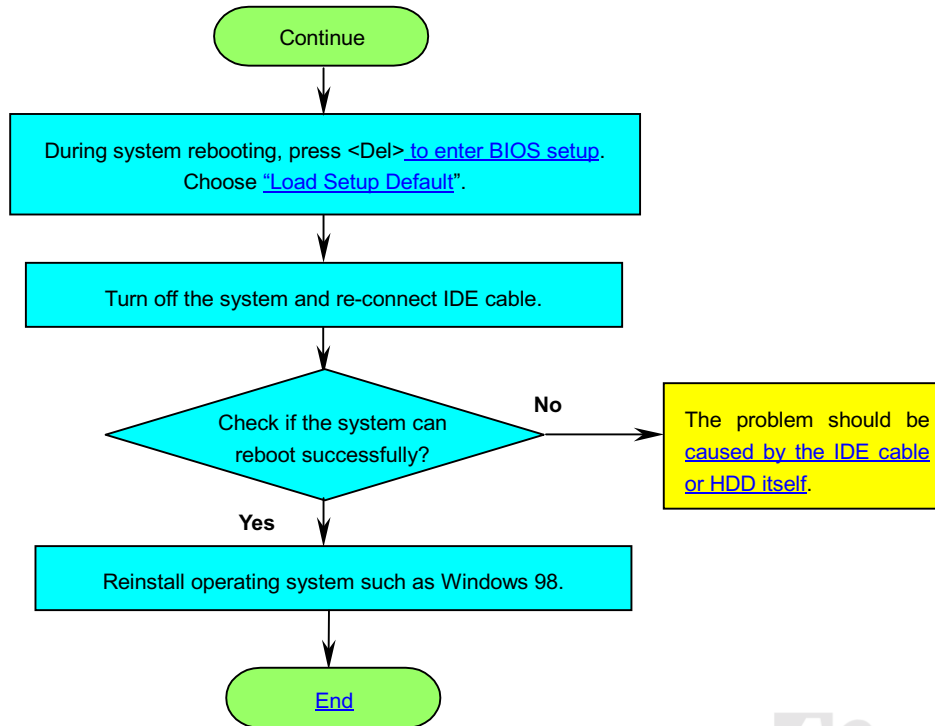
ZIP file

A compressed file format to reduce file size. To unzip file, run shareware PKUNZIP (<http://www.pkware.com/>) for DOS and other operating system or WINZIP (<http://www.winzip.com/>) for windows environment.

 **Troubleshooting**









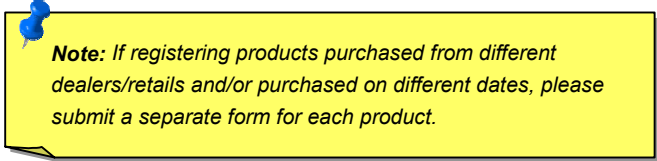
Product Registration

Thank you for choosing AOpen product. AOpen encourages you to spend few minutes in completing the following product registration. To register your product will ensure the high quality of services from AOpen. After the registration, you will:

- Have opportunities to play online slot machine and win a prize from AOpen by accumulating your bonuses for later prize exchange.
- Be upgraded to gold membership of Club AOpen program.
- Receive email notification about product safety alerts. Its purpose is to alert consumers quickly and conveniently when products contain technical issues.
- Receive email notification about latest product's announcements.
- Be able to personalize your AOpen web pages.
- Receive e-mail notification about latest BIOS/Driver/Software release information.
- Have opportunities to participate special product promotional programs.
- Enjoy higher service priority to receive technical assistance provided by AOpen specialists worldwide.

- Be able to join the discussions of web-based news groups.

AOpen makes sure that the information you provide is encrypted, so that it cannot be read or intercepted by other people or companies. Further, AOpen will not disclose any of information you submitted under any conditions. Please consult our [online privacy policy](#) for further information on our company policy.



Note: *If registering products purchased from different dealers/retails and/or purchased on different dates, please submit a separate form for each product.*



Technical Support

Dear Customer,

Thanks for choosing AOpen products. To provide the best and fastest service to our customer is our first priority. However, we receive numerous emails and phone-calls worldwide everyday, it is very hard for us to serve everyone on time. We recommend you follow the procedures below and seek help before contact us. With your help, we can then continue to provide the best quality service to more customers.

Thanks very much for your understanding!

AOpen Technical Supporting Team

1

Online Manual: Please check the manual carefully and make sure the jumper settings and installation procedure are correct.

<http://www.aopen.com.tw/tech/download/manual/default.htm>

2

Test Report: We recommend choosing board/card/device from the compatibility test reports for assembling your PC.

<http://www.aopen.com.tw/tech/report/default.htm>

3

FAQ: The latest FAQ (Frequently Asked Questions) may contain a solution to your problem.

<http://www.aopen.com.tw/tech/fag/default.htm>

4

Download Software: Check out this table to get the latest updated BIOS/utility and drivers.

<http://www.aopen.com.tw/tech/download/default.htm>

5

News Group: Our support engineer or professional users on the news group probably had answered your problem.

<http://www.aopen.com.tw/tech/newsgrp/default.htm>

6

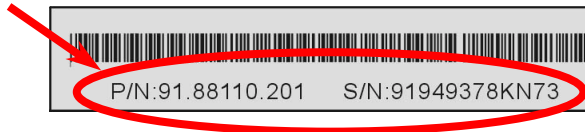
Contact Distributors/Resellers: We sell our products through resellers and integrators. They should know your system configuration very well and should be able to solve your problem more efficiently than us. After all, their attitude of service is an important reference for you if next time you want to buy something else from them.

7

Contact Us: Please prepare detail system configuration and error symptom before contacting us. The **part number**, **serial number** and **BIOS version** are also very helpful.

Part Number and Serial Number

The Part Number and Serial number are printed on bar code label. You can find this bar code label on the outside packing, on ISA/CPU slot or on component side of PCB. For example:



Part No.



Serial No.

P/N: 91.88110.201 is part number, **S/N: 91949378KN73** is serial number.

Web: <http://www.aopen.com>

E-mail: Send us email by going through the contact form below.

English <http://www.aopen.com.tw/tech/contact/techusa.htm>

Japanese <http://aojp.aopen.com.tw/tech/contact/techjp.htm>

Chinese <http://w3.aopen.com.tw/tech/contact/techtw.htm>

German <http://www.aopencom.de/tech/contact/techde.htm>

Simplified Chinese <http://www.aopen.com.cn/tech/contact/techcn.htm>

TEL:

USA 510-489-8928

Netherlands +31 73-645-9516

China (86) 755-375-3013

Taiwan (886) 2-2696-1333

Germany +49 (0) 2102-157-700