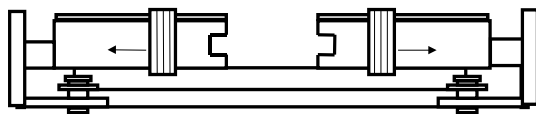
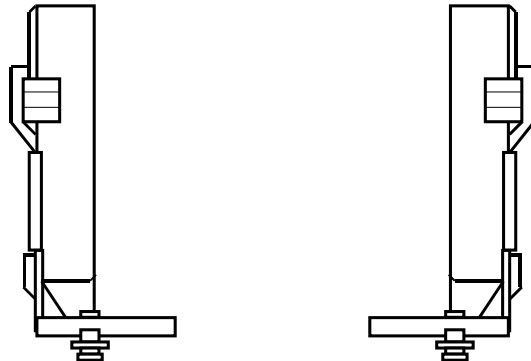


# HOW TO INSTALL THE CPU HOLDER

There is the CPU holder comes with the mainboard and it is designed to have the CPU mounted on the board. There are two different kind of CPU holders available, so you may find one of the following CPU holder comes in the mainboard package. This document will show you how to install the CPU holder on the mainboard properly:



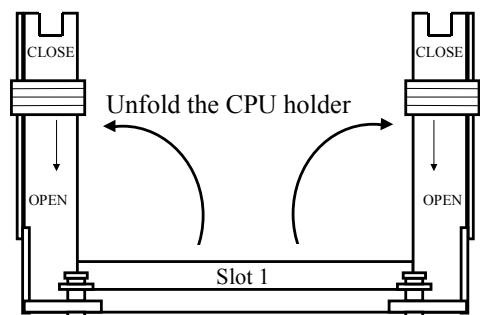
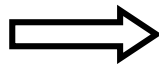
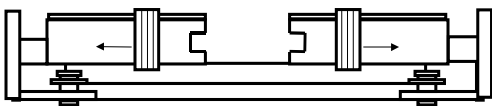
**CPU HOLDER TYPE A**



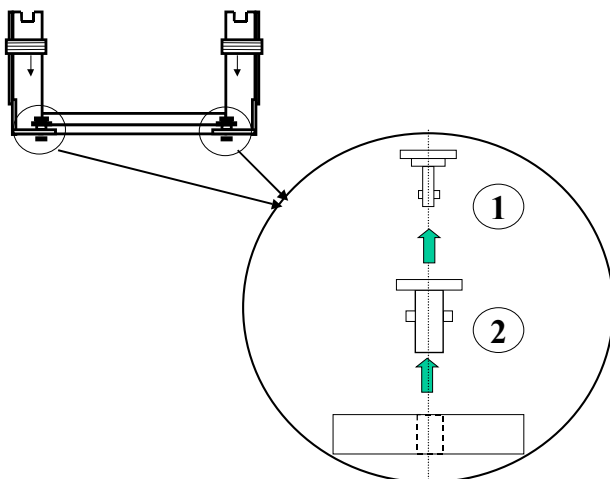
**CPU HOLDER TYPE B**

## INSTALLATION OF "TYPE A" HOLDER

**STEP 1:** Unfold the CPU holder and make it standing upright:



**STEP 2:** Remove the "Boardlock Pin" from the CPU holder:

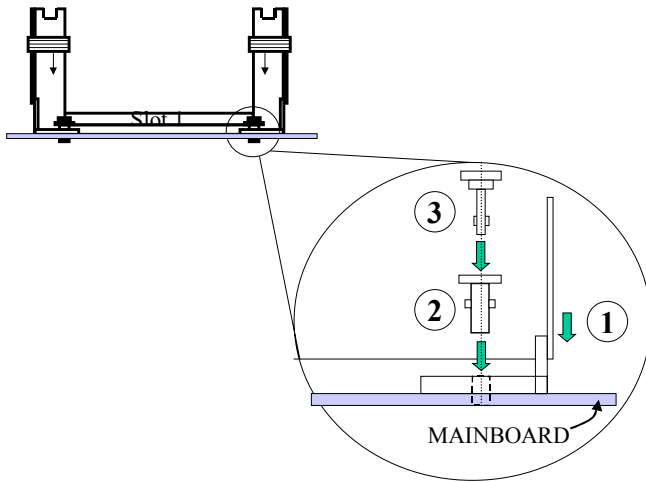


There are four "Boardlock Pins" mounted on the CPU holder.

1. Please remove the inner boardlock pins from the CPU holder.
2. Remove the outer pins from the CPU holder and keep all the pins in the safe place, because you will need it when install the CPU holder onto the mainboard.

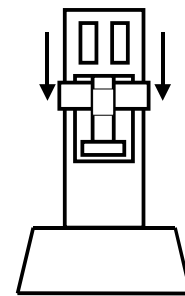
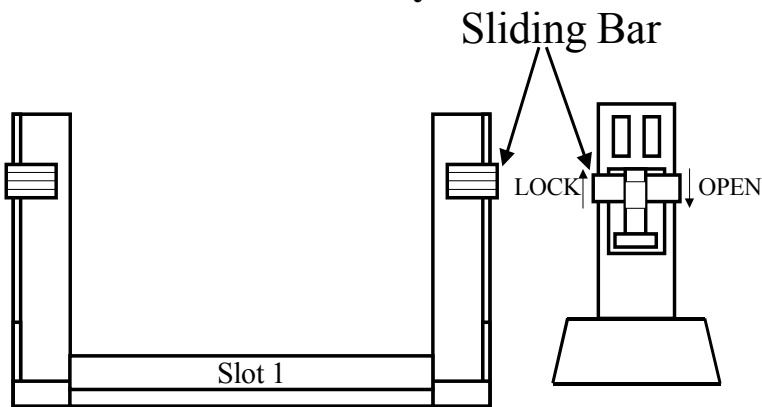


**STEP 3:** Have the CPU holder mounted on **SLOT 1**:



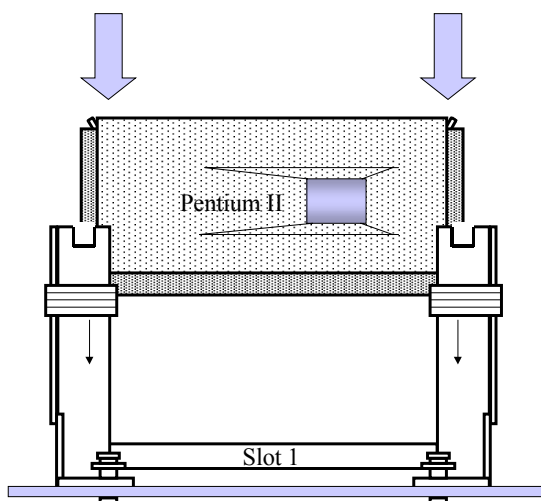
1. Mount the CPU holder onto the Slot 1 socket.
2. Align the outer "Boardlock Pin" with the hole on the CPU holder and push it inside the hole.
3. Align the inner "Boardlock Pin" with the hole on the outer "Boardlock Pin" and then push it inside the hole.

**STEP 4:** Push the "Sliding Bar" on the CPU holder downward to unlock the "Latch" so that you can install the CPU:



Push the Sliding Bar  
Downward

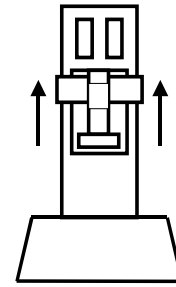
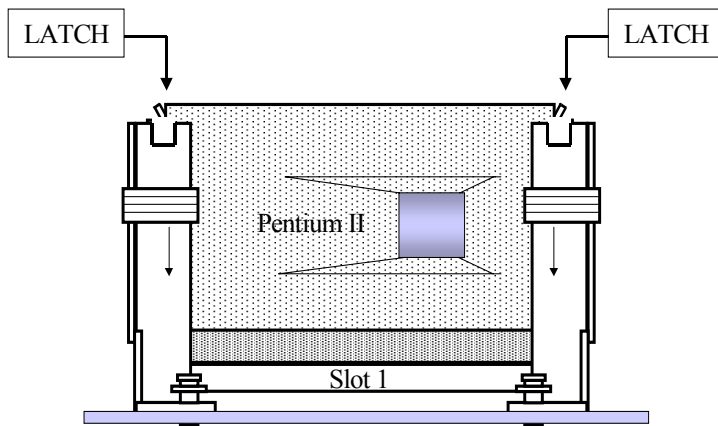
**STEP 5:** Align the CPU with **SLOT 1** and then push it into the slot until it is seated in the slot firmly on the mainboard.



**NOTE:**

Be sure to make the correct alignment between the CPU and SLOT1 so that it can be inserted properly.

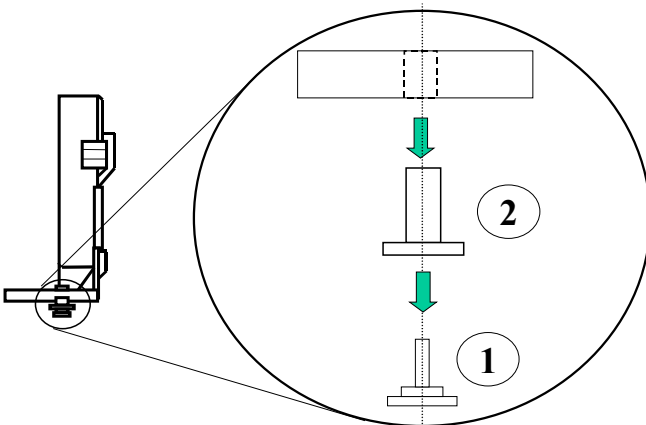
**STEP 6:** When you have installed the CPU on the Slot1, pull the "Sliding Bar" upward or push the "Latch Key" on the CPU so that CPU will be locked on the mainboard.



Pull the sliding Bar  
**"Upward"**

### INSTALLATION OF "TYPE B" HOLDER

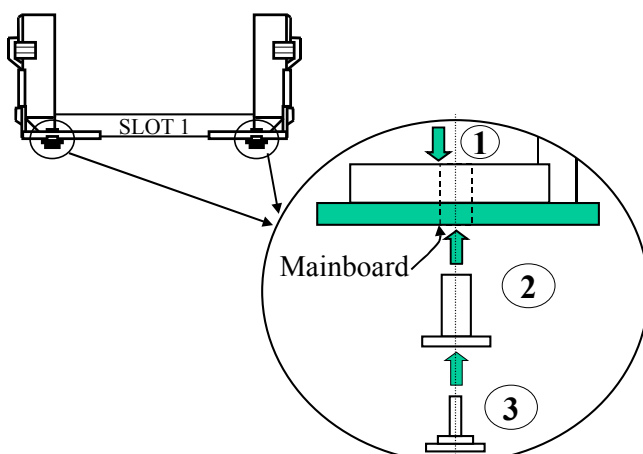
**STEP 1:** Remove the "Boardlock Pin" from the CPU holder:



There are two "Boardlock Pins" mounted on each CPU holder.

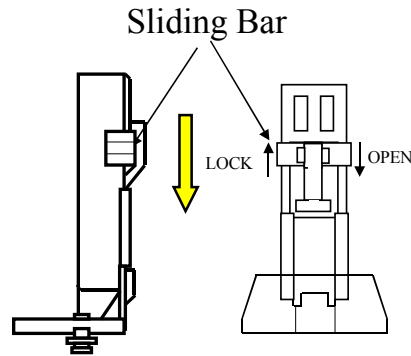
1. Please remove the inner boardlock pins from the CPU holder.
2. Remove the outer pins from the CPU holder and keep all the pins in the safe place, because you will need it when install the CPU holder onto the mainboard.

**STEP 2:** Put the CPU holder on Slot 1 and have it mounted on the board:



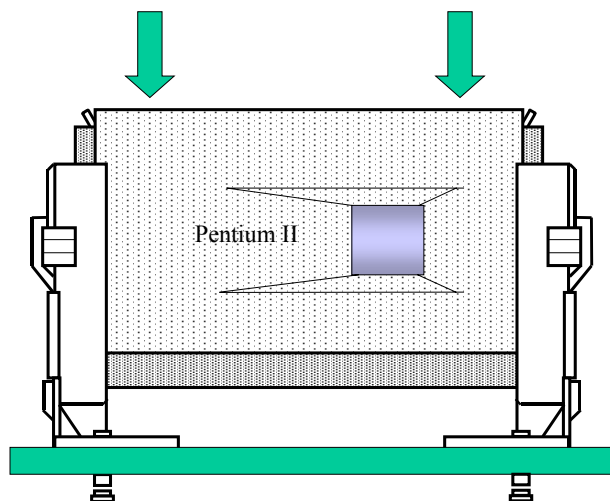
1. Have the CPU holders mounted at the two ends of Slot 1 from the component side of mainboard.
2. Insert the outer "Boardlock Pin" into the hole from the soldering side of mainboard and have it connected to the CPU holder.
3. Insert the inner "Boardlock Pin" into the hole on the outer pin and have the CPU holder seated firmly on the mainboard.

**STEP 3:** Push the "Sliding Bar" on the CPU holder downward to unlock the "Latch" so that you can install the CPU:



Push the sliding bar  
"Downward"

**STEP 4:** Align the CPU with SLOT 1 and then push it into the slot until it is seated in the slot firmly on the mainboard:



**STEP 5:** When you have installed the CPU on the Slot1, pull the "Sliding Bar" upward or push the "Latch Key" on the CPU so that CPU will be locked on the mainboard.

