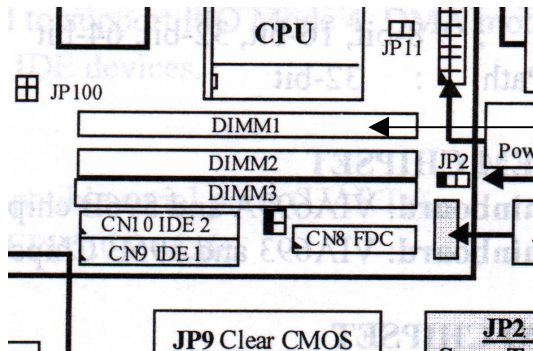


## **DIMM Problem for DVBX2**

The following problem has been uncovered on DVBX2.

### **Description of Problem:**

If you would to use a piece of DIMM module belong to certain brands and inserted into DIMM 1 slot of DVBX2 mainboard (please refer to the diagram), your system may be unstable or even encounter startup problem. The problem is observed only when PPGA (socket 370) processor is used.



System will encounter problem if the system's configuration has only one DIMM and it is inserted into DIMM1 slot

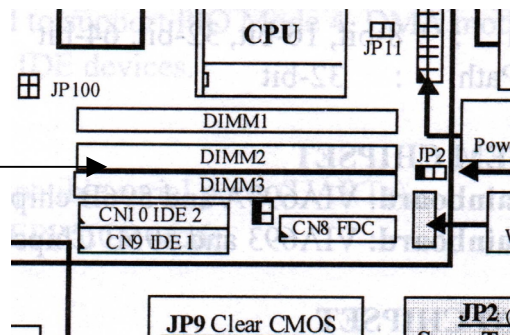
### **Reason:**

The problem is due the reflection noise from DIMM3 that makes the system become very unstable.

### **Solution:**

You can rectify the problem by inserting the DIMM module into DIMM3 slot, instead of DIMM1 slot.

Use DIMM3 only; if your system's configuration consists of only 1 DIMM module



### **Important Note:**

*Kindly perform the above check if a DVBX2 mainboard has been returned to you with the abovementioned problem. This will cut down unnecessary RMA return. If possible notify your customers in order for them to look out for the problem.*

Thanks and regards.