

# **6BX7**

## **USER'S MANUAL**

1. **CPU Over Voltage Protect (Magic Booster).**
2. **System power on by PS/2 Mouse: First, enable this function in CMOS Setup, then you can power on the system by double clicking the right or left button of your PS/2 Mouse.**
3. **System power on by Keyboard: If your ATX power supply supports larger than 300 mA 5V Stand-By current (depends on the specification of keyboards), you can power on your system by entering password from the Keyboard after setting the "Keyboard power on" jumper and password in CMOS Setup.**
4. **Support 3 steps ACPI LED selectable.**
5. **Support Modem Ring-On. (Include internal Modem and external modem on COM A and COM B)**
6. **Support Wake-up On LAN. (Your ATX power supply must support larger than 720 mA 5V Stand-By current)**

**Socket 370 Processor Motherboard**

REV. 2.4 Second Edition

R-24-02-000426



The author assumes no responsibility for any errors or omissions which may appear in this document nor does it make a commitment to update the information contained herein.

Third-party brands and names are the property of their respective owners.

Sound Blaster is a registered trademark of Creative Technology Ltd in the United States and certain other countries. Sound Blaster-LINK and SB-LINK are trademarks of Creative Technology Ltd.

Apr. 26, 2000 Taipei, Taiwan

### I. Quick Installation Guide:

The system bus speed can be switched at 66, 100 MHz by adjusting **SW2**. The user can select the system bus speed for 300-866MHz from DIP Switch **SW1**.

⚠ The CPU speed must match with the frequency **RATIO**. It will cause system hanging up if the frequency **RATIO** is higher than CPU's.

SW1: (O:ON / X:OFF)

FREQ. RATIO	DIP SWITCH (SW1)			
	1	2	3	4
X 3	O	X	O	O
X 3.5	X	X	O	O
X 4	O	O	X	O
X 4.5	X	O	X	O
X 5	O	X	X	O
X 5.5	X	X	X	O
X 6	O	O	O	X
X 6.5	X	O	O	X
X 7	O	X	O	X
X 7.5	X	X	O	X
X 8	O	O	X	X
X 8.5	X	O	X	X
X 9	O	X	X	X
X 9.5	X	X	X	X

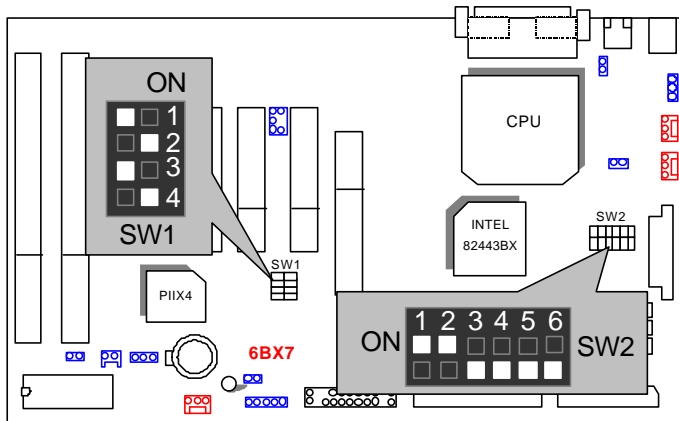
**Set System Bus Speed**

**SW2: (O:ON / X:OFF)**

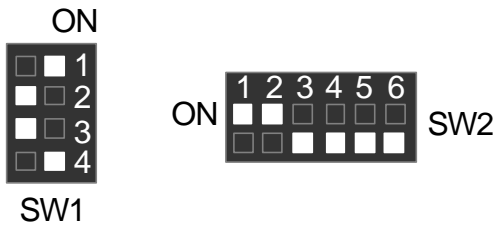
CPU	1	2	3	4	5	6	PCCLK
66	O	O	X	X	X	X	33.3
75	O	O	O	X	X	X	37.5
83	O	O	X	O	X	X	41.6
100	O	X	X	X	X	X	33.3
112	O	X	O	X	X	X	37.3
124	X	X	X	O	X	X	31
133	X	X	X	X	X	X	33.3
140	X	X	O	O	X	X	35
150	X	X	O	X	X	X	37.5

★ **Note:** We don't recommend you to set up your system speed to 75,83,112,124,133,140 or 150MHz because these frequencies are not the standard specifications for CPU, Chipset and most of the peripherals. Whether your system can run under 75, 83, 112, 124, 133,140 or 150MHz properly will depend on your hardware configurations: CPU, SDRAM, Cards, etc.

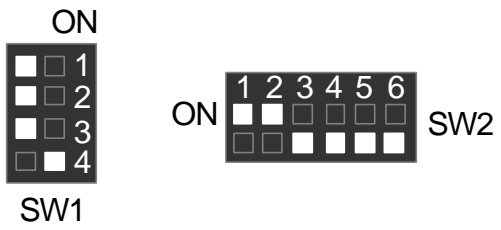
1. Celeron™ 300A/ 66 MHz FSB



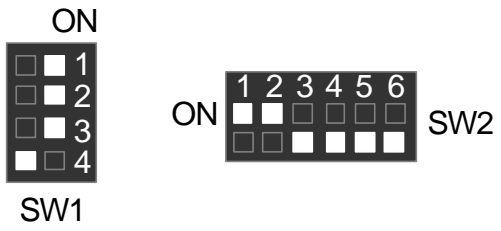
2. Celeron™ 333/ 66 MHz FSB



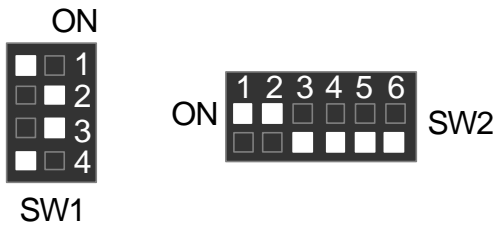
3. Celeron™ 366/ 66 MHz FSB



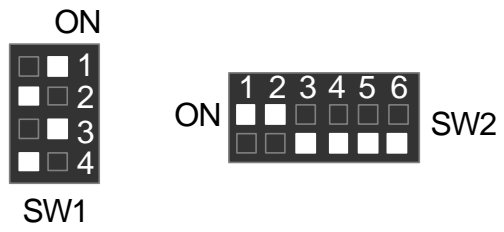
4. Celeron™ 400/ 66 MHz FSB



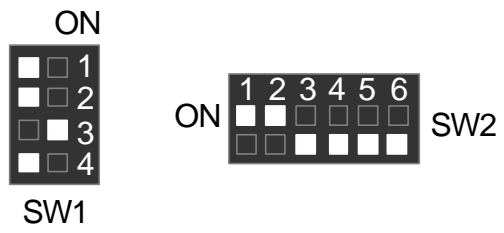
5. Celeron™ 433/ 66 MHz FSB



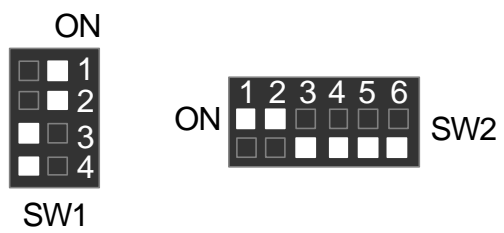
6. Celeron™ 466/ 66 MHz FSB



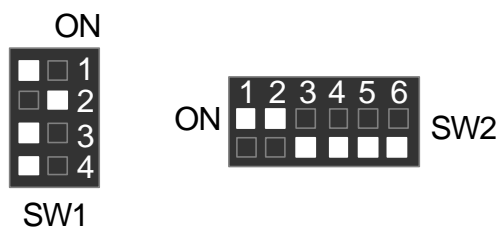
7. Celeron™ 500/ 66 MHz FSB



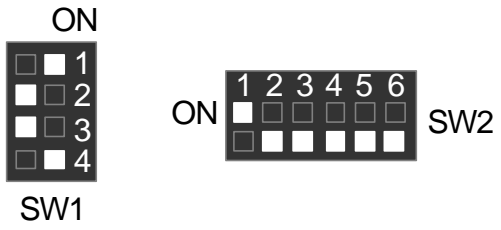
8. Celeron™ 533/ 66 MHz FSB



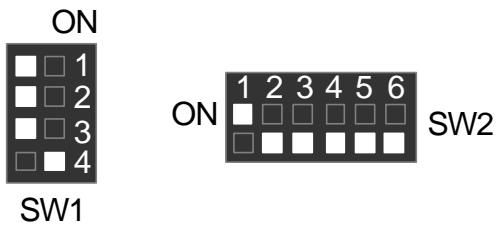
9. Celeron™ 566/ 66 MHz FSB



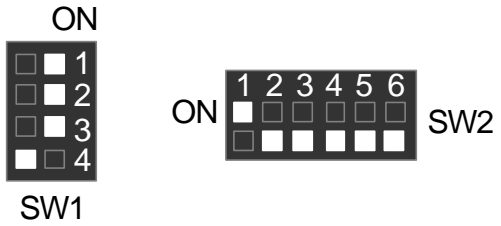
10. Pentium® !!! 500 / 100 MHz FSB



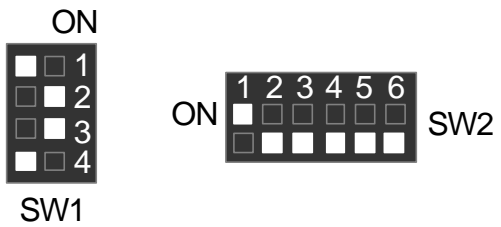
11. Pentium® !!! 550 / 100 MHz FSB



12. Pentium® !!! 600 / 100 MHz FSB

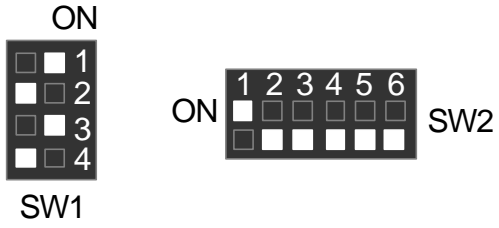


13. Pentium® !!! 650 / 100 MHz FSB

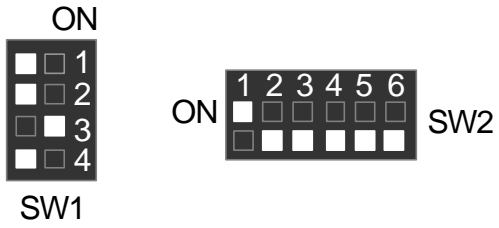




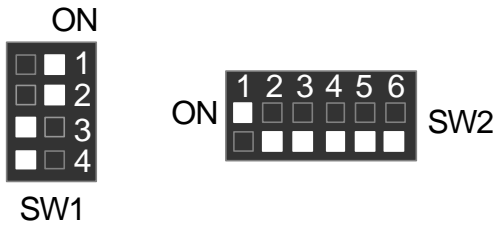
14. Pentium® !!! 700 / 100 MHz FSB



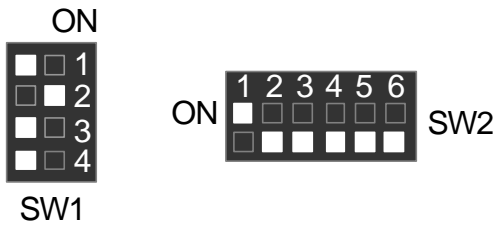
15. Pentium® !!! 750 / 100 MHz FSB



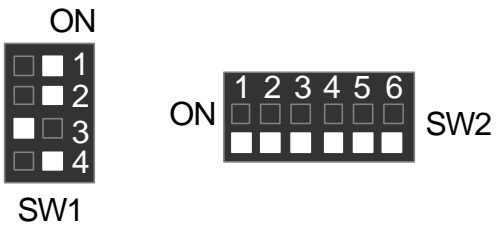
16. Pentium® !!! 800 / 100 MHz FSB



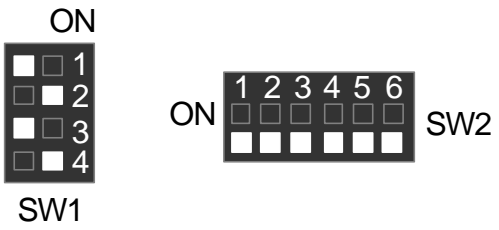
17. Pentium® !!! 850 / 100 MHz FSB



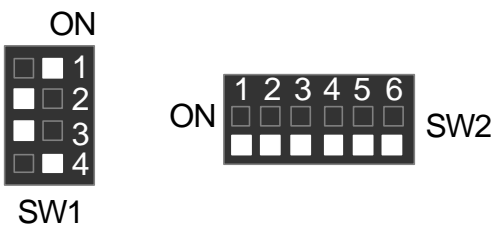
18. Pentium® !!! 533 / 133 MHz FSB



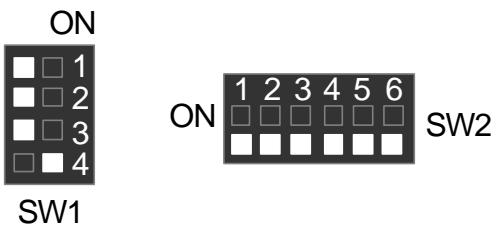
19. Pentium® !!! 600 / 133 MHz FSB



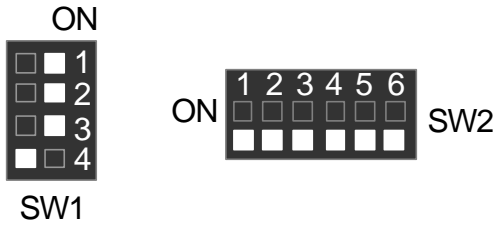
20. Pentium® !!! 667 / 133 MHz FSB



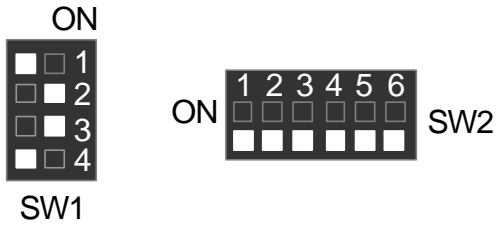
21. Pentium® !!! 733 / 133 MHz FSB



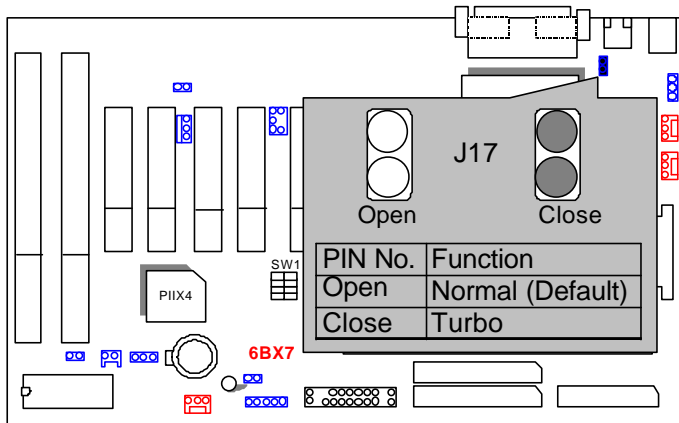
22. Pentium® !!! 800 / 133 MHz FSB



23. Pentium® !!! 866 / 133 MHz FSB

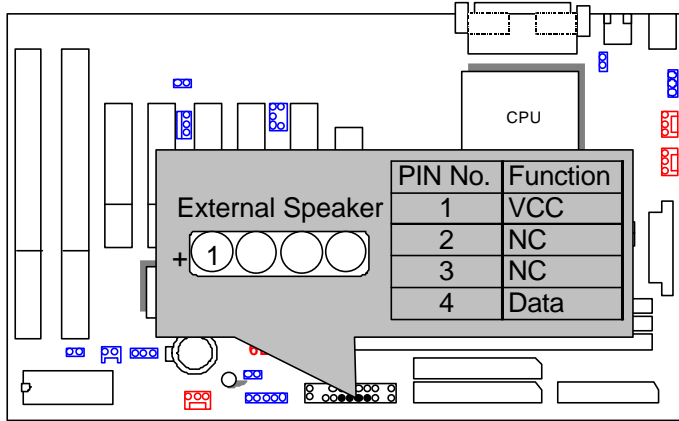


J17: Cyrix CPU Turbo Function (Optional)

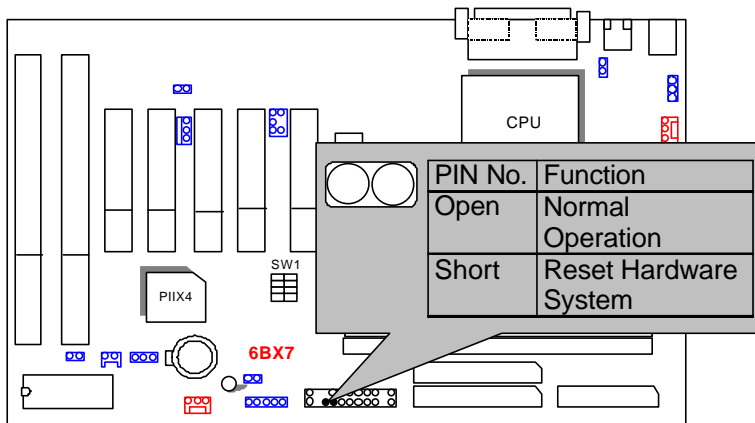


## II. Jumper setting :

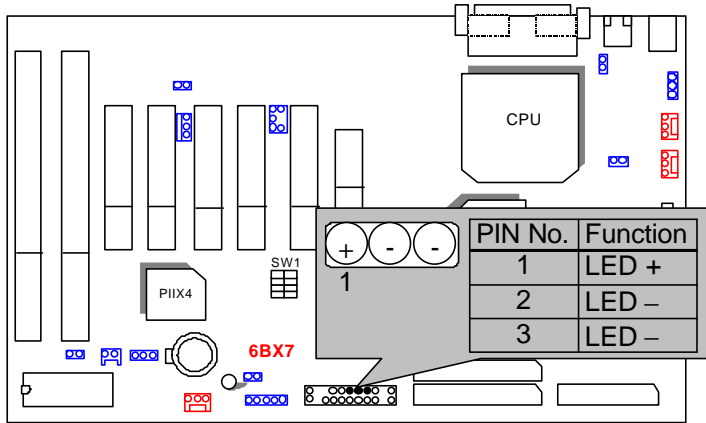
SPK : Speaker Connector



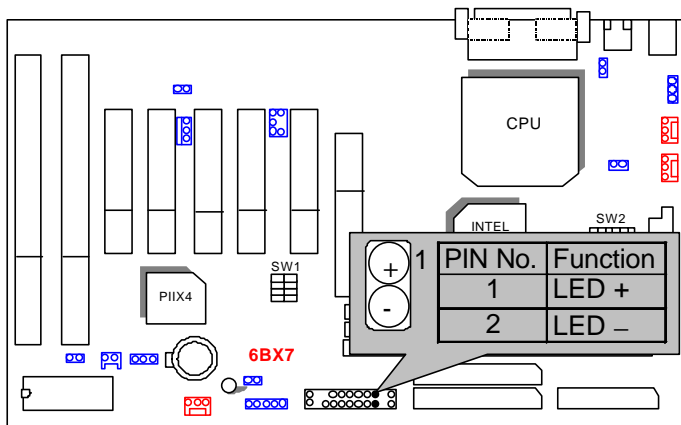
RE : Reset Switch



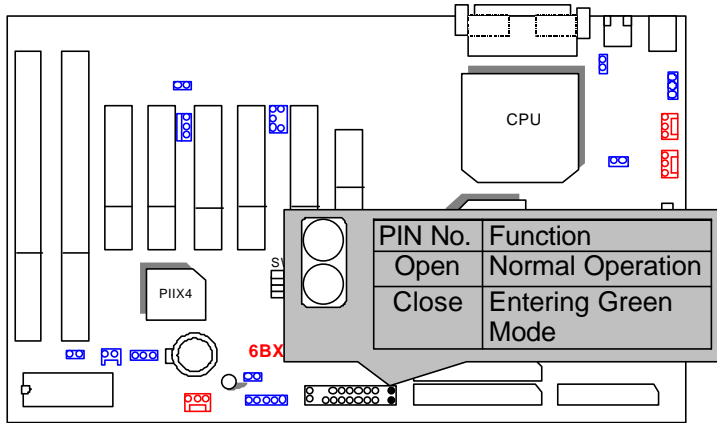
PW LED : Power LED Connector



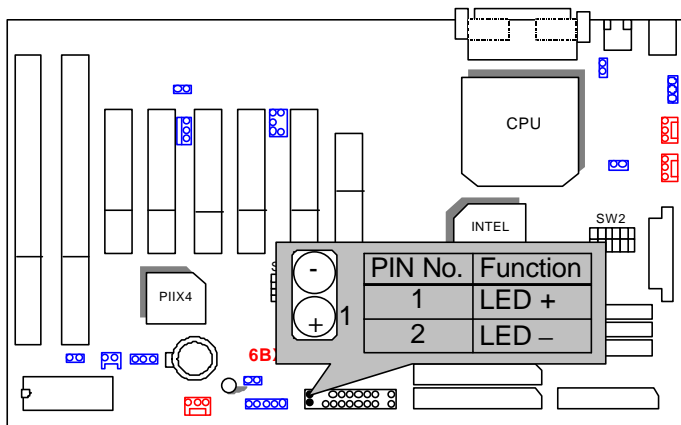
HD : IDE Hard Disk Active LED



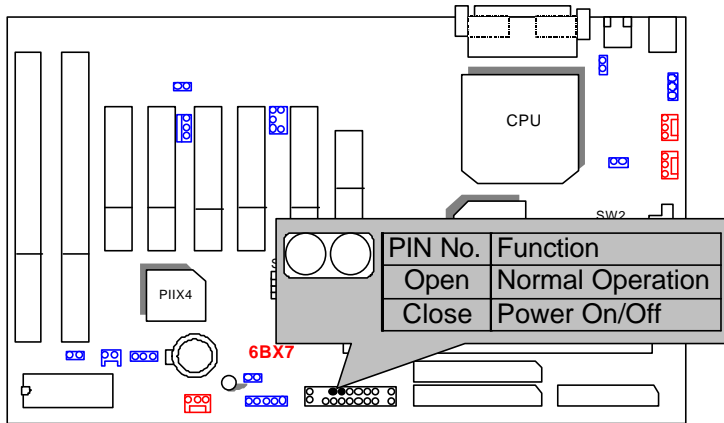
GN : Green Function Switch



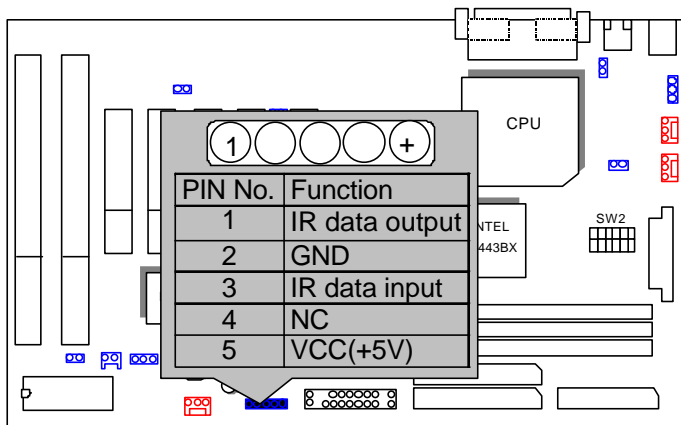
GD : Green LED



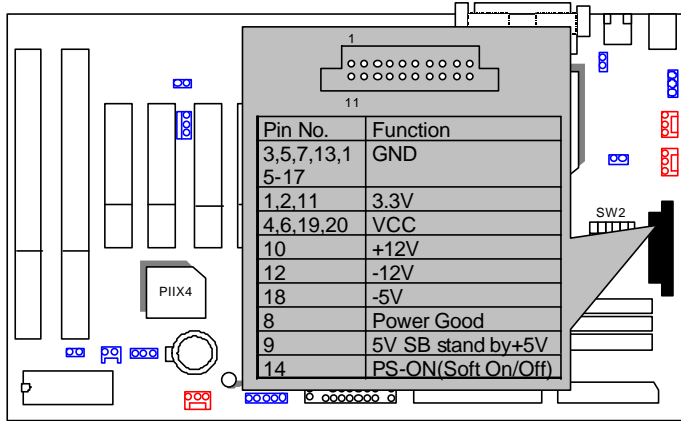
Soft Power : Soft Power Connector



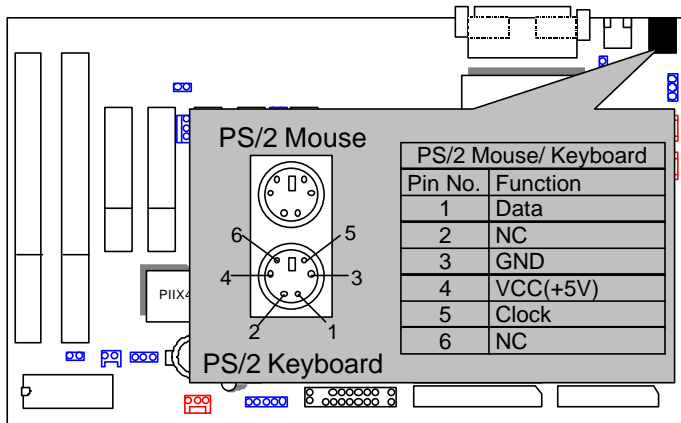
IR : Infrared Connector (Optional)



ATX Power : ATX Power Connector

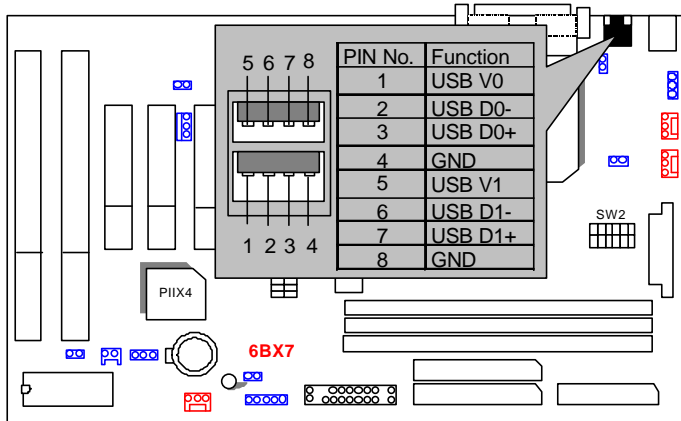


PS/2 Mouse / Keyboard Connector

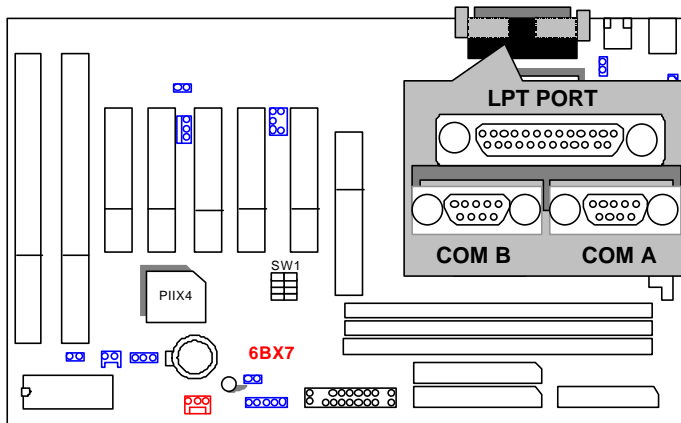




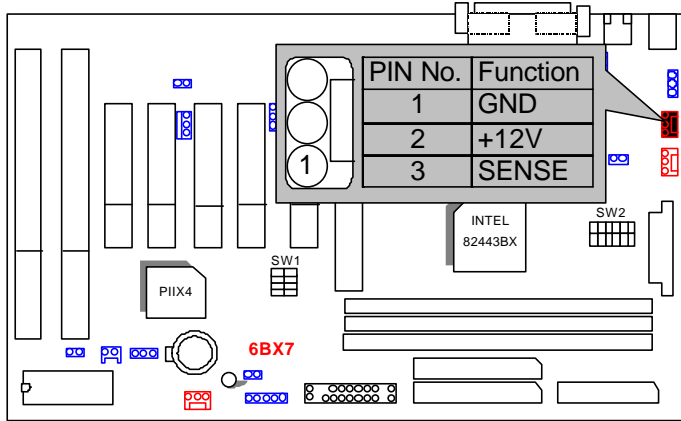
USB : USB Port



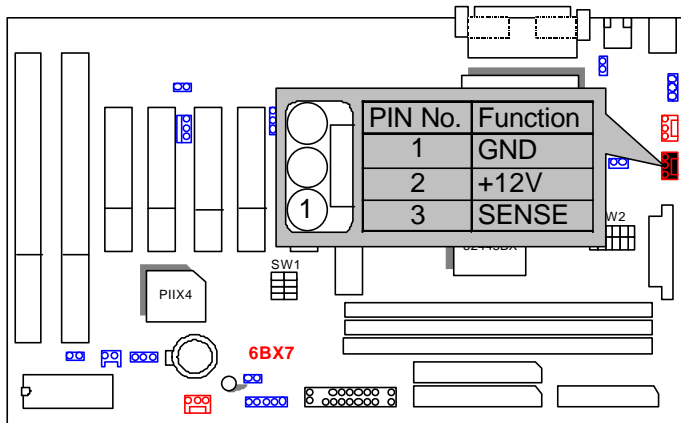
LPT PORT / COM A / COM B



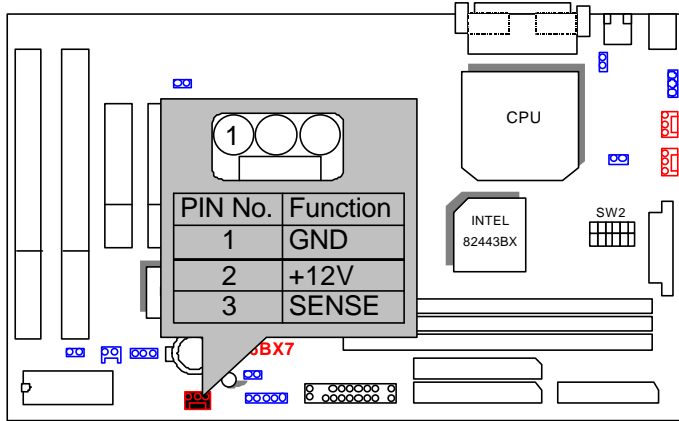
CPU FAN : CPU Cooling Fan Power Connector



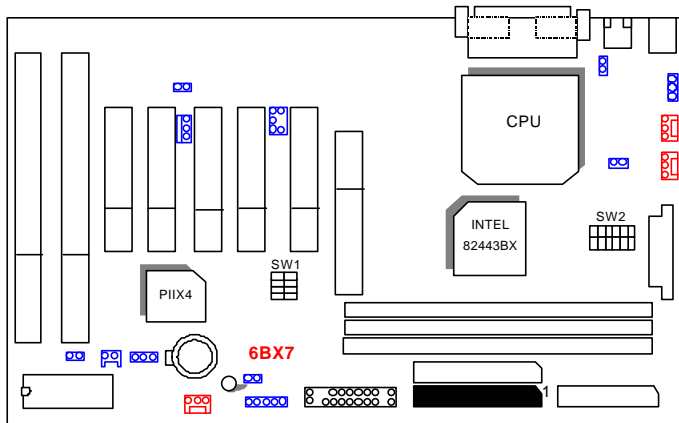
PWR FAN : Power FAN Connector



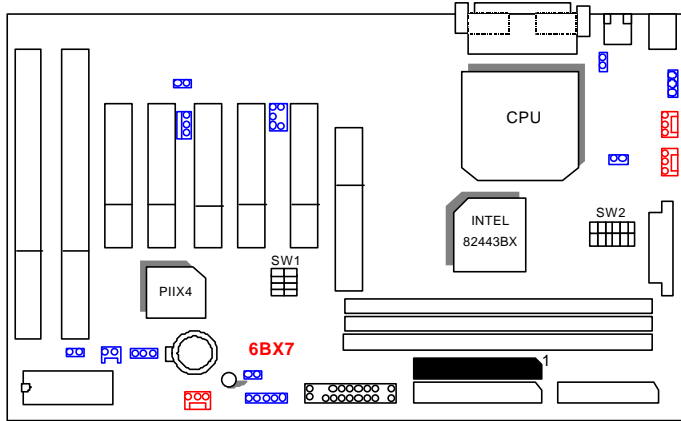
SYSTEM FAN : System FAN Connector



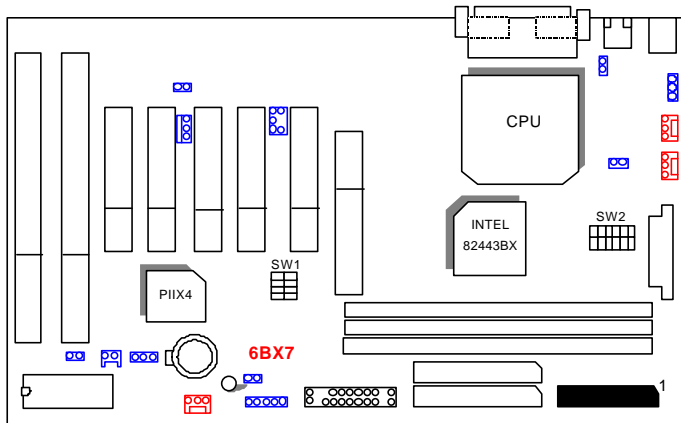
IDE1: For Primary IDE Port



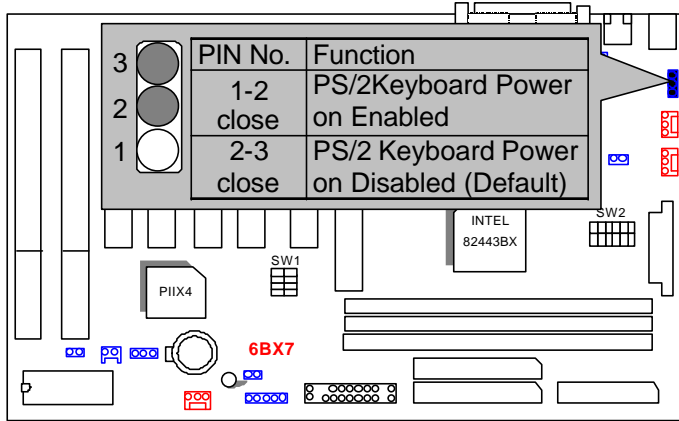
IDE2: For Secondary IDE Port



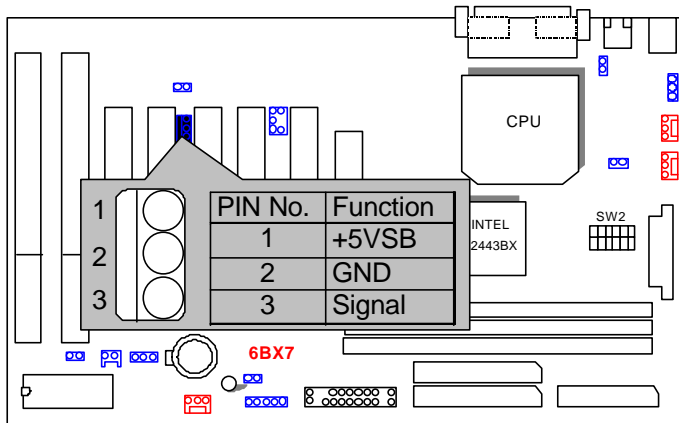
FLOPPY : FLOPPY Port



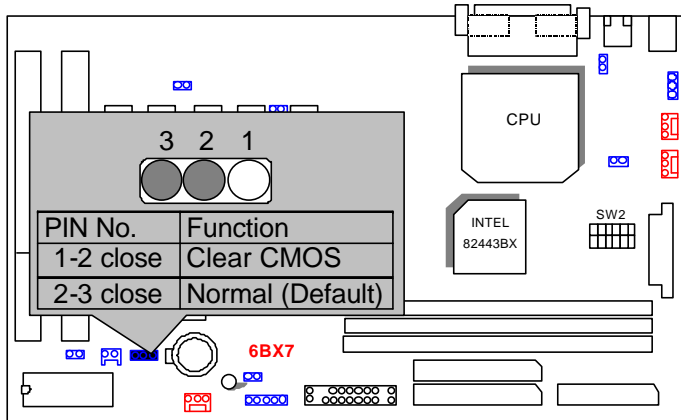
JP1 : PS/2 Keyboard Power On Selection



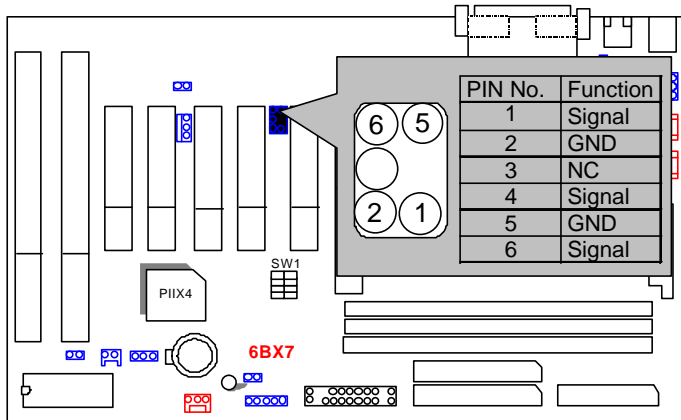
JP7: Wake On LAN



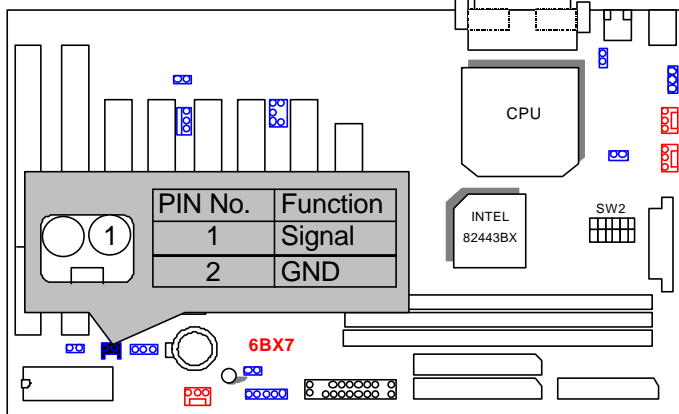
JP9 : Clear CMOS Function



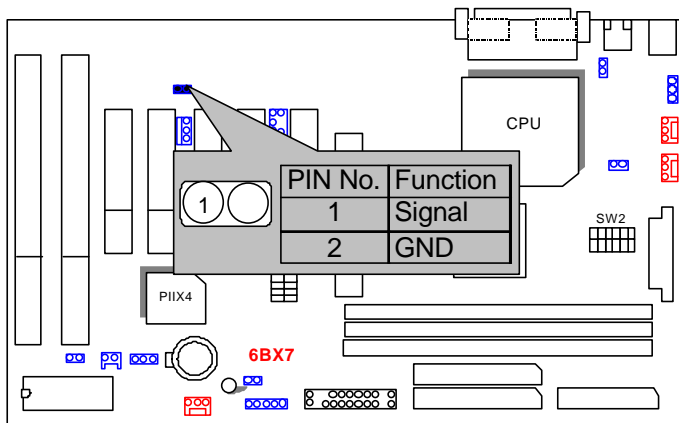
J14 : SB-LINK Creative PCI Sound Card Support



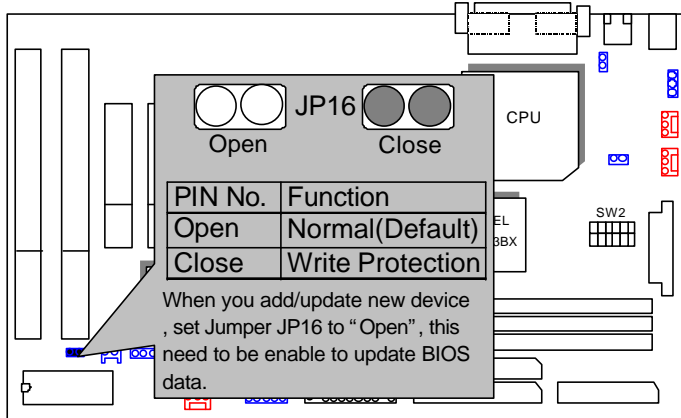
J16 RING PWR ON : Internal Modem Ring On



JP10 : Case Open

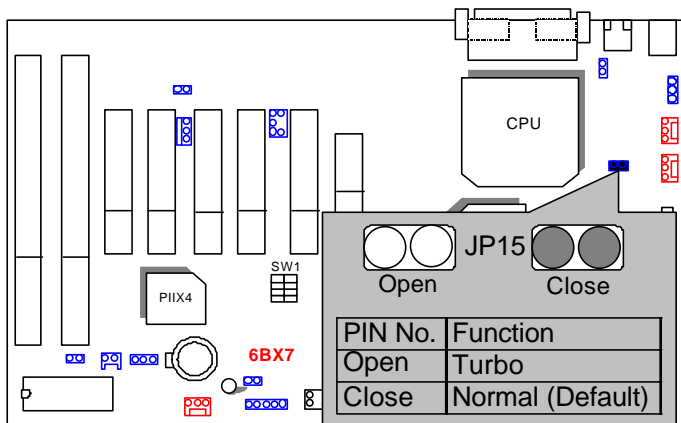


JP16 : BIOS Flash ROM Write Protection



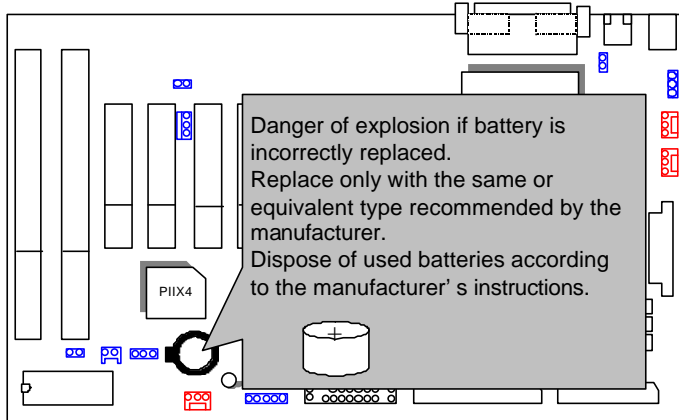
JP15 : Over Voltage (**Magic Booster**)

(When JP15 set "Open", CPU Voltage is rising 10%)





BAT1 :Battery



### III. Top Performance Test Setting:

Users have to modify the value for each item in chipset features as follow for top performance setting.

```

ROM PCI/ISA BIOS (2A69KG0F)
CHIPSET FEATURES SETUP
AWARD SOFTWARE, INC.

EDO CAS# MA Wait State      : 1
EDO RAS# Wait State         : 1
SDRAM CAS Latency Time      : 2
DRAM Data Integrity Mode    : Non-ECC
System BIOS Cacheable       : Enabled
Video BIOS Cacheable        : Enabled
Video RAM Cacheable         : Disabled
16 Bit I/O Recovery Time    : 1
Memory Hole At 15M-16M     : Disabled
Delayed Transaction         : Disabled
Spread Spectrum              : Disabled

Slow Down CPU Duty Cycle    : Normal
Shutdown Temp.(°C/°F)       : 75°C/167°F
**Temp. Select (°C/°F)**
CPU : 70°C/158°F

**Temperature Alarm**
CPU : No

**Fan Fail Alarm**
CPU: No    POWER: No    SYS: No

Reset Case Open Status      : No
Case Opened                 : No

** Current Temp.(°C/°F)**
CPU : 33/91

** Current Fan Speed (RPM)**
CPU:5443    POWER: 0    SYS: 0

** Current Voltage (V)**
UCORE : 2.05    VGTL : 1.52    UCC3: 3.35
+ 5V: 5.08    +12V: 12.52    -12V: -11.86
- 5V: - 5.09    VBAT: 3.26    5USB: 5.05

ESC : Quit          ↑↓↓↑ : Select Item
F1  : Help          PU/PD/+/- : Modify
F5  : Old Values   (Shift)F2 : Color
F6  : Load BIOS   Defaults
F7  : LOAD PERFORMANCE DEFAULTS
    
```

\*\* Each value of items as above depends on your hardware configuration : CPU , SDRAM , Cards , etc.  
Please modify each value of items If your system does not work properly .

The following performance data list is the testing results of some popular benchmark testing programs.

These data are just referred by users, and there is no responsibility for different testing data values gotten by users. (Different Hardware & Software configuration will result in different benchmark testing results.)

- CPU Intel® Celeron™ Socket 370 processor
- DRAM (128x 1) MB SDRAM (TOSHIBA TC59S6408BFT-80)
- CACHE SIZE 128 KB included in CPU
- DISPLAY GA-630 AGP Display Card (16MB SGRAM)
- STORAGE Onboard IDE (Seagate ST34520A)
- O.S. Windows NT™4.0 (SPK4)
- DRIVER Display Driver at 1024 x 768 x 64K colors x 75Hz.  
Triones Bus Master IDE Drivers 3.60

Processor	Intel® Celeron™ (Socket 370)	
	366MHz (66x5.5)	450MHz (100x4.5)
<b>Winbench99</b>		
CPU mark32	723	964
FPU Winmark32	1970	2410
Business Disk	4260	4510
Hi-End Disk	10300	10500
Business Graphics	176	222
Hi-End Graphics	330	409
<b>Winstone99</b>		
Business	26.8	31.5
Hi-End	24.4	29



## TABLE OF CONTENTS

<b>1. INTRODUCTION</b>	
1.1. PREFACE .....	1-1
1.2. KEY FEATHERS.....	1-1
1.3. PERFORMANCE LIST.....	1-2
1.4. BLOCK DIAGRAM.....	1-3
1.5. INTRODUCE THE INTEL®Celeron™ Socket 370 Processor .....	1-4
1.6. WHAT IS AGP?.....	1-4
<b>2. SPECIFICATION</b>	
2.1. HARDWARE .....	2-1
2.2. SOFTWARE.....	2-2
2.3. ENVIRONMENT.....	2-2
<b>3. HARDWARE INSTALLATION</b>	
3.1. UNPACKING .....	3-1
3.2. MAINBOARD LAYOUT .....	3-2
3.3. QUICK REFERENCE FOR JUMPERS & CONNECTORS.....	3-2
3.4. DRAM INSTALLATION.....	3-6
3.5. CPU SPEED SETUP .....	3-6
3.6. CMOS RTC & ISA CFG CMOS RAM.....	3-7
3.7. SPEAKER CONNECTOR INSTALLATION.....	3-8
3.8.HARDWARE RESET SWITCH CONNECTOR INSTALLATION .....	3-8
3.9. POWER LED CONNECTOR INSTALLATION.....	3-8
3.10. IDE & ATAPI DEVICE INSTALLATION.....	3-8
3.11. PERIPHERAL DEVICE INSTALLATION.....	3-8
3.12. KEYBOARD & PS/2 MOUSE INSTALLATION.....	3-8

**4. BIOS CONFIGURATION**

4.1. ENTERING SETUP .....4-1

4.2. CONTROL KEYS.....4-1

4.3. GETTING HELP.....4-2

    4.3.1. Main Menu.....4-2

    4.3.2. Status Page Setup Menu / Option Page Setup Menu.....4-2

4.4. THE MAIN MENU.....4-2

4.5. STANDARD CMOS SETUP MENU .....4-4

4.6. BIOS FEATURES SETUP .....4-8

4.7. CHIPSET FEATURES SETUP .....4-13

4.8. POWER MANAGEMENT SETUP .....4-17

4.9. PNP/PCI CONFIGURATION.....4-21

4.10. LOAD BIOS DEFAULTS .....4-23

4.11. LOAD PERFORMANCE DEFAULTS .....4-24

4.12. INTEGRATED PERIPHERALS .....4-25

4.13. SUPERVISOR/USER PASSWORD.....4-30

4.14. IDE HDD AUTO DETECTION.....4-31

4.15. SAVE & EXIT SETUP.....4-32

4.16. EXIT WITHOUT SAVING .....4-33

**APPENDIX :**

A. BIOS Flash Procedure .....A-1

## 1. INTRODUCTION

### 1.1. PREFACE

Welcome to use the **6BX7** motherboard. It is a Celeron™ / Pentium® !!! Socket 370 Processor based PC / AT compatible system with AGP / PCI / ISA Bus, and has been designed to be the fastest PC / AT system. There are some new features allow you to operate the system with just the performance you want.

This manual also explains how to install the motherboard for operation, and how to set up your CMO S CONFIGURATION with BIOS SETUP program.

### 1.2. KEY FEATURES

- ❑ Intel Celeron™/Pentium® !!! Socket 370 Processor based PC/AT compatible mainboard.
- ❑ Intel Pentium® !!! 100/133MHz FSB, Coppermine core FC-PGA  
Intel Celeron™ 100MHz FSB, Mendocimo core PPGA  
Intel Celeron™ 66MHz FSB, Mendocimo core PPGA
- ❑ Socket 370 Pins ZIF white socket on board.
- ❑ Supports Celeron™/ Pentium® !!! Socket 370 processor running at 300-866 MHz.
- ❑ INTEL 440BX chipset, Supports AGP / SDRAM / Ultra DMA/33 IDE / Keyboard and PS/2 Mouse Power On / ACPI features.
- ❑ Supports 3xDIMMs using 3.3V SDRAM DIMM module.
- ❑ Supports external Modem Ring-On on COMA & COMB and internal Modem Ring-On.
- ❑ Supports SDRAM 16MB ~ 768MB memory on board.
- ❑ Supports Wake-up on LAN.
- ❑ Supports ECC or Non-ECC type DRAM module.
- ❑ 1xAGP slot, 5xPCI Bus slots, 2xISA Bus slots.
- ❑ Supports 2 channels Ultra DMA/33 IDE ports for 4 IDE Devices.
- ❑ Supports 2xCOM (16550), 1xLPT (EPP / ECP), 1x Floppy port.
- ❑ Supports 2XUSB port & PS/2 Mouse/ Keyboard port.
- ❑ Licensed AWARD BIOS, 2M bits FLASH ROM.
- ❑ 30.5cm x 19 cm ATX SIZE form factor, 4 layers PCB.

### 1.3. PERFORMANCE LIST

The following performance data list is the testing results of some popular benchmark testing programs.

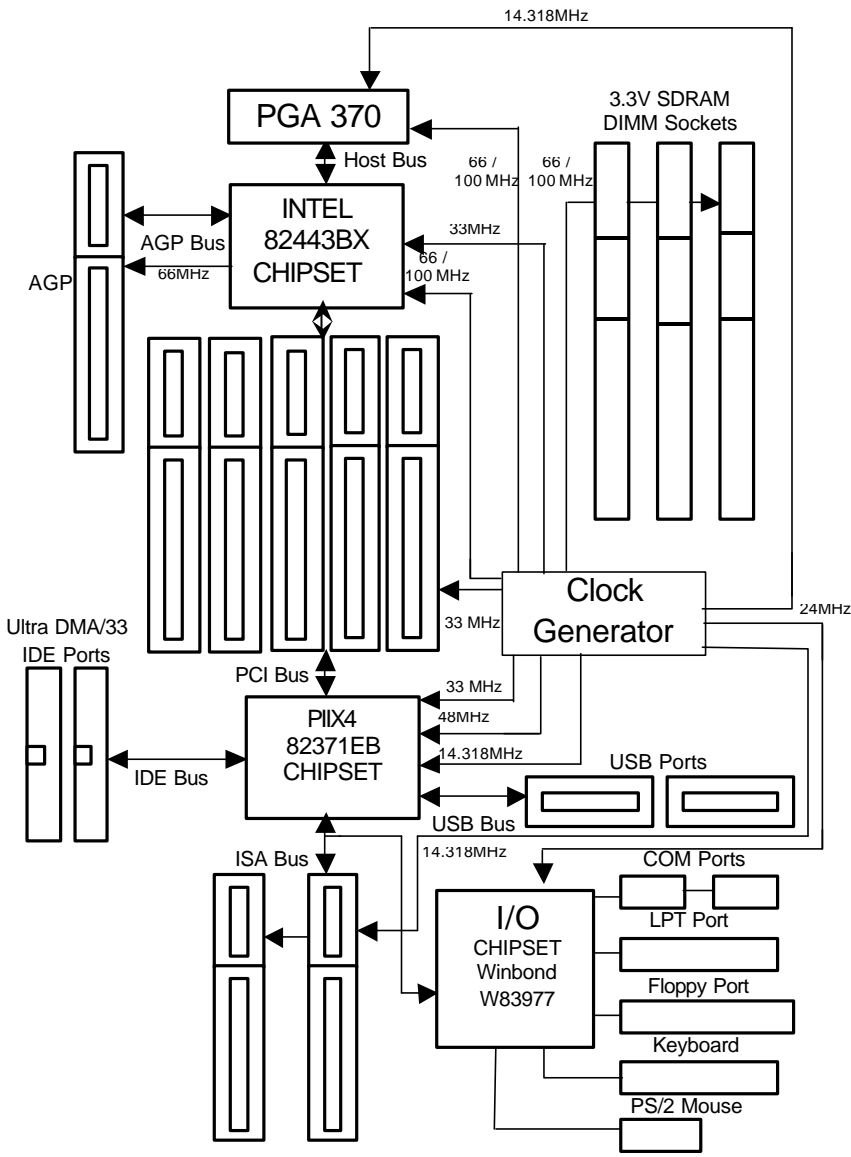
These data are just referred by users, and there is no responsibility for different testing data values gotten by users. (Different Hardware & Software configuration will result in different benchmark testing results.)

- CPU Intel® Celeron™ Socket 370 processor
- DRAM (128x 1) MB SDRAM (TOSHIBA TC59S6408BFT-80)
- CACHE SIZE 128 KB included in CPU
- DISPLAY GA-630 AGP Display Card (16MB SGRAM)
- STORAGE Onboard IDE (Seagate ST34520A)
- O.S. Windows NT™4.0 (SPK4)
- DRIVER Display Driver at 1024 x 768 x 64K colors x 75Hz.  
Triones Bus Master IDE Drivers 3.60

Processor	Intel® Celeron™ (Socket 370)	
	366MHz (66x5.5)	450MHz (100x4.5)
<b>Winbench99</b>		
CPU mark32	723	964
FPU Winmark32	1970	2410
Business Disk	4260	4510
Hi-End Disk	10300	10500
Business Graphics	176	222
Hi-End Graphics	330	409
<b>Winstone99</b>		
Business	26.8	31.5
Hi-End	24.4	29



### 1.4. BLOCK DIAGRAM



## 1.5. INTRODUCE THE INTEL® Celeron™ Socket 370 Processor



Figure 1: INTEL® Celeron™ Socket370 Processor

## 1.6 What is AGP?

The Accelerated Graphics Port (AGP) is a new port on the Host-To-PCI bridge device that supports an AGP port. The main purpose of the AGP port is to provide fast access to system memory.

The AGP port can be used either as fast PCI port (32-bits at 66MHz vs.32-Bits at 33MHz) or as an AGP port which supports 2x data-rate, a read queue, and side band addressing. When the 2x-data rate is used the port can transmit data at 533MB/sec ( $66.6 \times 2 \times 4$ ). The read-queue can be used to pipeline reads – removing the effects of the reads-latency. Side band addressing can be used to transmit the data address on a separate line in order to speed up the transaction.

---

## 2. SPECIFICATION

### 2.1. HARDWARE

- CPU
  - Celeron™ / Pentium® !!! Socket 370
  - 370 pins 66/100MHz socket on board.
- SPEED
  - 66/100MHz system speed.
  - 66 MHz AGP bus speed. (2X mode 133MHz)
  - 33 MHz PCI-Bus speed.
  - 8 MHz AT bus speed.
- DRAM MEMORY
  - 3 banks 168 pins DIMM module sockets on board.
  - Use 16 / 32 / 64 / 128 / 256 MB DIMM module DRAM.
  - Supports SDRAM 16MB~768MB.
  - Supports 3.3V SDRAM.
  - Supports ECC or Non-ECC type DRAM.
- CACHE MEMORY
  - 32 KB L1 cache memory included in CPU.
  - L2 cache memory (depend on CPU type).
  - Supports DIB speed mode for L2 Cache.
- I/O BUS SLOTS
  - 5 33MHz Master / Slave PCI-BUS.
  - 2 8MHz 16 bits ISA BUS.
  - 1 66MHz / 133MHz AGP bus.
- IDE PORTS
  - 2 Ultra DMA 33 Bus Master IDE channels onboard.  
(Using IRQ14,15)
  - Support Mode 3,4 IDE & ATAPI CD – ROM.
- I/O PORTS
  - Supports 2 16550 COM ports.
  - Supports 1 EPP/ECP LPT port.
  - Supports 1 Floppy port.
  - Supports 2 USB ports.
  - Supports PS/2 Mouse & PS/2 Keyboard.

- GREEN FUNCTION
  - Suspend mode support.
  - Green switch & Green LED support.
  - IDE & Display power down support.
  - Monitor all IRQ / DMA / Display / I/O events.
- BIOS
  - 2M bits FLASH ROM.
  - Supports Plug & Play, DMI Function.
- DIMENSION
  - ATX Form Factor, 4 layers PCB.

## 2.2. SOFTWARE

- DRIVER
  - IUCD (Bus Master + Utilities)
- BIOS
  - Licensed AWARD BIOS.
  - AT CMOS Setup, BIOS / Chipset Setup, Green Setup, Hard Disk Utility included.
- O.S.
  - Operation with MS-DOS<sup>®</sup>, Windows<sup>®</sup>95, Windows<sup>®</sup> 98, WINDOWS NT<sup>™</sup>MOS/2, NOVELL and SCO UNIX.

## 2.3. ENVIRONMENT

- Ambient Temp.
  - 0°C to +50°C (Operating).
- Relative Hum.
  - 0 to +85% (Operating).
- Altitude
  - 0 to 10,000 feet (Operating).
- Vibration
  - 0 to 1,000 Hz.
- Electricity
  - 4.9 V to 5.2 V. (Max. 20A current at 5V.)

## 3. HARDWARE INSTALLATION

### 3.1. UNPACKING

The main board package should contain the following:

- The **6BX7** main board.
- USER' S MANUAL for main board.
- Cable set for IDE, Floppy devices.
- A CD for mainboard Utility.

The main board contains sensitive electric components, which can be easily damaged by static electricity, so the main board should be left in its original packing until it is installed.

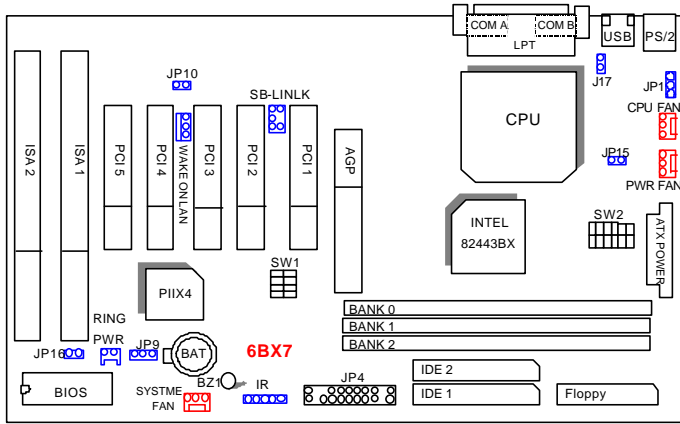
Unpacking and installation should be done on a grounded anti-static mat. The operator should be wearing an anti static wristband, grounded at the same point as the anti-static mat.

Inspect the main board carton for obvious damage. Shipping and handling may cause damage to your board. Be sure there are no shipping and handling damages on the board before proceeding.

After opening the main board carton, extract the system board and place it only on a grounded anti-static surface component side up. Again inspect the board for damage. Press down on all of the socket IC's to make sure that they are properly seated. Do this only on with the board placed on a firm flat surface.

**⚡ DO NOT APPLY POWER TO THE BOARD IF IT HAS BEEN DAMAGED.**

### 3.2. MAINBOARD LAYOUT



< Figure 3.1 >

### 3.3. QUICK REFERENCE FOR JUMPERS & CONNECTORS

◆ I/O Ports Connector	
USB	USB port.
PS/2	For PS/2 Keyboard and Mouse port.
IDE 1	For Primary IDE port.
IDE 2	For Secondary IDE port.
Floppy	For Floppy port.
COM B	For Serial port2 (COM B).
COM A	For Serial port1 (COM A).
LPT	For LPT port.
ATX Power	For ATX Power Connector.

◆ Socket 370	
For Socket 370 Processor installed	

◆ CPU FAN : CPU cooling FAN Power Connector	
Pin No.	Function
1	GND.
2	+12V.
3	Sense.

◆ PWR FAN : Power FAN Power Connector	
Pin No.	Function
1	GND.
2	+12V.
3	Sense.

◆ System FAN : System FAN Power Connector	
Pin No.	Function
1	GND.
2	+12V.
3	Sense.

◆ JP1 : PS/2 Keyboard Power On Selection	
Pin No.	Function
1-2 close	Enable PS/2 Keyboard power on.
2-3 close	Disable PS/2 Keyboard power on.(Default)

◆ WAKE ON LAN : Wake on LAN Connector	
Pin No.	Function
1	+5VSB.
2	GND.
3	CTRL-Signal.

◆ RING PWR ON : Internal Modem Ring On	
Pin No.	Function
1	Signal.
2	GND.

◆ IR: INFRARED Connector (Optional)	
Pin No.	Function
1	IR DATA OUTPUT.
2	GND.
3	IR DATA INPUT.
4	NC.
5	VCC ( +5V).

◆ JP16 : BIOS Flash ROM Flash Protection	
Pin No.	Function
Open	Normal (Normal)
Close	Write Protection

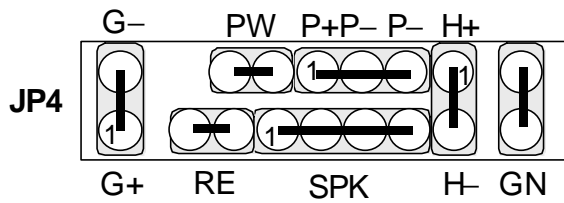
◆ JP9 : Clear CMOS	
Pin No.	Function
1-2 close	Clear CMOS .
2-3 close	Normal.(Default)

◆ JP10 : CASE OPEN	
Pin No.	Function
1	Signal
2	GND

◆ SB-LINK : For PCI Audio / Sound Card use only	
Pin No.	Function
1	Signal
2	GND
3	NC
4	Signal
5	GND
6	Signal

◆ JP15 : Over Voltage ( <b>Magic Booster</b> ) (When JP15 set "Open", CPU Voltage is rising 10%)	
Pin No.	Function
Open	Turbo
Close	Normal (Default)

**JP4 : 2\*11PIN Jumper**





PW : Soft Power Connector



On – Off : For POWER ON or Suspend IN / OUT.  
On 4 sec : For POWER OFF before VGA Enable or  
CMOS setup select “delay 4sec.” For  
POWER OFF mode.

RE : Reset Switch



Open: Normal Operation  
Short: For Hardware Reset System

P+P- P-: Power LED



PIN 1: LED anode (+)  
PIN 2: LED cathode (-)  
PIN 3: LED cathode (-)

HD: IDE Hard Disk Active LED



PIN 1: LED anode (+)  
PIN 2: LED cathode (-)

GN: Green Switch



Open: Normal Operation  
Short: Entering Green Mode

GD: Green Function Active LED



PIN 1: LED anode (+)  
PIN 2: LED cathode (-)

### 3.4. DRAM INSTALLATION

The main board can be installed with 16 / 32 / 64 / 128 / 256 MB 168 pins DIMM module DRAM, and the DRAM speed must be 67~100 MHz for SDRAM when system bus speed is set to 66MHz. The DRAM memory system on main board consists of bank 0, 1& bank 2.

Since 168 pins DIMM module is 64 bits width, therefore 1 piece of DIMM module may match a 64 bits system. The total memory size is 16 MB ~ 768MB SDRAM. The DRAM installation position refer to Figure 3.1, and notice the Pin 1 of DIMM module must match with the Pin 1 of DIMM socket. Insert the DRAM DIMM module into the DIMM socket at Vertical angle. If there is a wrong direction of Pin 1, the DRAM DIMM module could not be inserted into socket completely.

### 3.5. CPU SPEED SETUP

The system bus speed can be switched at 66, 100 MHz by adjusting **SW2**. The user can select the system bus speed for 300-733MHz from DIP Switch **SW1**.

⚠ **The CPU speed must match with the frequency RATIO. It will cause system hanging up if the frequency RATIO is higher than CPU's.**

**SW1: (O:ON / X:OFF)**

FREQ. RATIO	DIP SWITCH (SW1)			
	1	2	3	4
X 3	O	X	O	O
X 3.5	X	X	O	O
X 4	O	O	X	O
X 4.5	X	O	X	O
X 5	O	X	X	O
X 5.5	X	X	X	O
X 6	O	O	O	X
X 6.5	X	O	O	X
X 7	O	X	O	X
X 7.5	X	X	O	X
X 8	O	O	X	X
X 8.5	X	O	X	X
X 9	O	X	X	X
X 9.5	X	X	X	X

**Set System Bus Speed**

SW2: (O:ON / X:OFF)

CPU	1	2	3	4	5	6	PCCLK
66	O	O	X	X	X	X	33.3
75	O	O	O	X	X	X	37.5
83	O	O	X	O	X	X	41.6
100	O	X	X	X	X	X	33.3
112	O	X	O	X	X	X	37.3
124	X	X	X	O	X	X	31
133	X	X	X	X	X	X	33.3
140	X	X	O	O	X	X	35
150	X	X	O	X	X	X	37.5

★ **Note: We don't recommend you to set up your system speed to 75,83,112,124,133,140 or 150MHz because these frequencies are not the standard specifications for CPU, Chipset and most of the peripherals. Whether your system can run under 75, 83, 112, 124, 133,140 or 150MHz properly will depend on your hardware configurations: CPU, SDRAM, Cards, etc.**

**3.6. CMOS RTC & ISA CFG CMOS RAM**

There're RTC & CMOS RAM on board; they have a power supply from external battery to keep the DATA inviolate & effective. The RTC is a REAL-TIME CLOCK device, which provides the DATE & TIME to system. The CMOS RAM is used for keeping the information of system configuration, so the system can automatically boot OS every time. Since the lifetime of internal battery is 5 years, the user can change a new Battery to replace old one after it cannot work.

- ⚠ Danger of explosion if battery is incorrectly replaced.
- ⚠ Replace only with the same or equivalent type recommended by the manufacturer.
- ⚠ Dispose of used batteries according to the manufacturer's instructions.

### **3.7. SPEAKER CONNECTOR INSTALLATION**

There is a speaker in AT system for sound purpose. The 4- Pins connector **SPKR** is used to connect speaker.

### **3.8. HARDWARE RESET SWITCH CONNECTOR INSTALLATION**

The RESET switch on panel provides users with HARDWARE RESET function. The system will do a cold start after the RESET switch is pushed and released by user. The RESET switch is a 2 PIN connector and should be installed to **RST** on main board.

### **3.9. POWER LED CONNECTOR INSTALLATION**

System has Power LED lamp on the panel of case. The Power LED will light on off or flash to indicate which step on the system. The connector should be connected to **PWR** of main board in correct direction.

### **3.10. IDE & ATAPI DEVICE INSTALLATION**

There are two-Enhanced PCI IDE ports (**IDE1, IDE2**) on board, which following ATAPI standard SPEC. Any one IDE port can connected to two ATAPI devices (IDE Hard Disk, CD-ROM & Tape Driver), so total four ATAPI devices can exist in a system. The **HD** is the active LED port for ATAPI devices.

### **3.11. PERIPHERAL DEVICE INSTALLATION**

After the I/O device installation and jumpers setup, the main board can be mounted into the case and fixed by screw. To complete the main board installation, the peripheral device could be installed now. The basic system needs a display interface card. If the PCI - Bus device is to be installed in the system, any one of four PCI - Bus slots can be used.

### **3.12. KEYBOARD & PS/2 MOUSE INSTALLATION**

The main board supports PS/2 Mouse. The BIOS will auto detect whether the PS/2 Mouse is installed or not & assign IRQ12 for PS/2 Mouse port if it is installed. After installing the peripheral device, the user should check everything again, and prepare to power-on the system.