

6WXM

USER'S MANUAL

- 1. System power on by PS/2 Mouse: First, enable this function in CMOS Setup, then you can power on the system by double clicking the right or left button of your PS/2 Mouse.**
- 2. System power on by Keyboard: If your ATX power supply supports larger than 300 mA 5V Stand-By current (depends on the specification of keyboards), you can power on your system by entering password from the Keyboard after setting the "Keyboard power on" jumper and password in CMOS Setup.**
- 3. Support 3 steps ACPI LED selectable.**
- 4. Support Modem Ring-On (Include internal Modem and external modem on COM A and COM B).**
- 5. Support Wake-up On LAN (Your ATX power supply must support larger than 720 mA 5V Stand-By current).**

**Pentium® II / III / Celeron Processor MAINBOARD
REV. 1.3 First Edition**

R-13-01-090827

The author assumes no responsibility for any errors or omissions that may appear in this document nor does it make a commitment to update the information contained herein.

Third-party brands and names are the property of their respective owners.

August 27, 1999 Taipei, Taiwan

I. Quick Installation Guide :

CPU SPEED SETUP

The system bus frequency can be switched between 66MHz and 133MHz by adjusting JP6 & JP28 (See Figure-1). The CPU Frequency is control by BIOS.

- ⚠ The CPU speed must match with the frequency RATIO. It will cause system hanging up if the frequency RATIO is higher than that of CPU.

JP6 / JP28: System Bus Speed

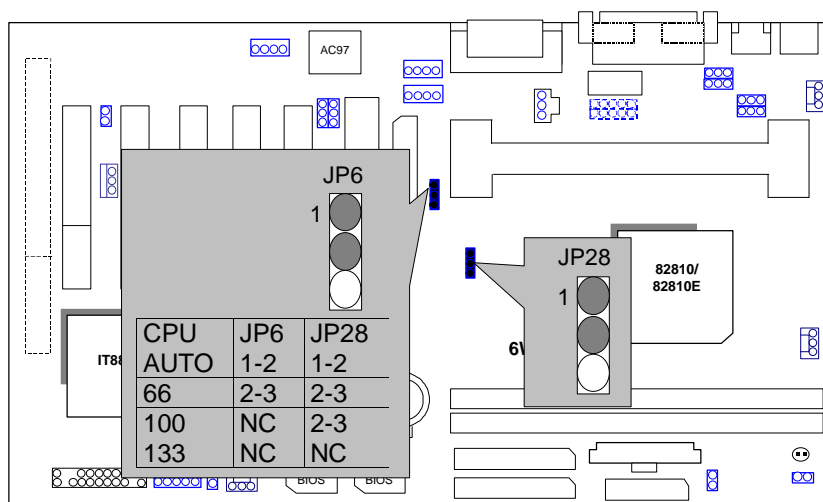


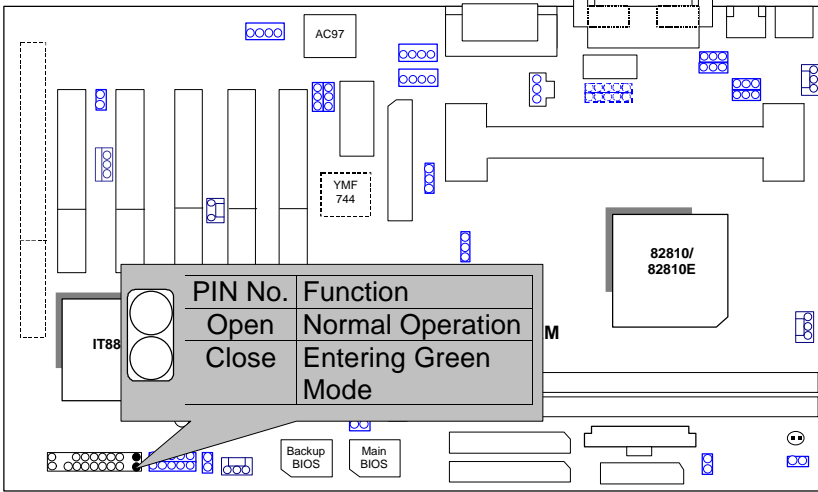
Figure-1

★ Note: Please set the CPU host frequency in accordance with your processor's specifications. We don't recommend you to set the system bus frequency over the CPU's specification because these specific bus frequencies are not the standard specifications for CPU, chipset and most of the peripherals. Whether your system can run under these specific bus frequencies properly will depend on your hardware configurations, including CPU, Chipsets, SDRAM, Cards..etc.

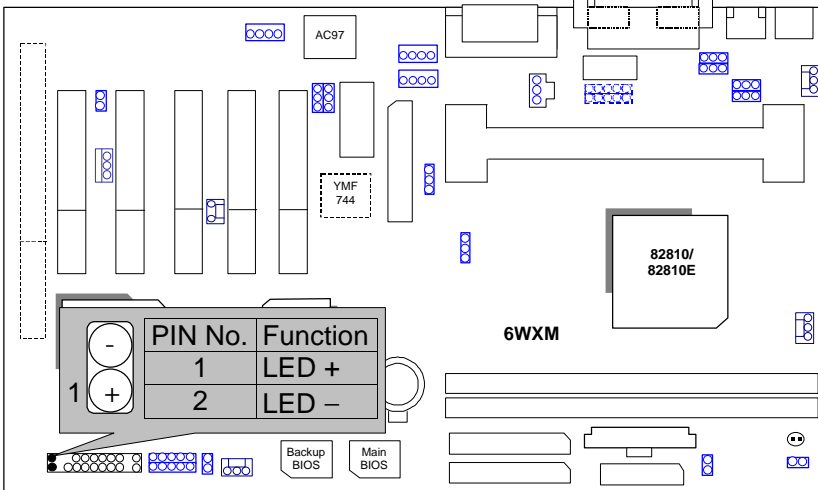
★ Note: JP28 is only available when the motherboard use 82810E Chipset.

II. Jumper setting :

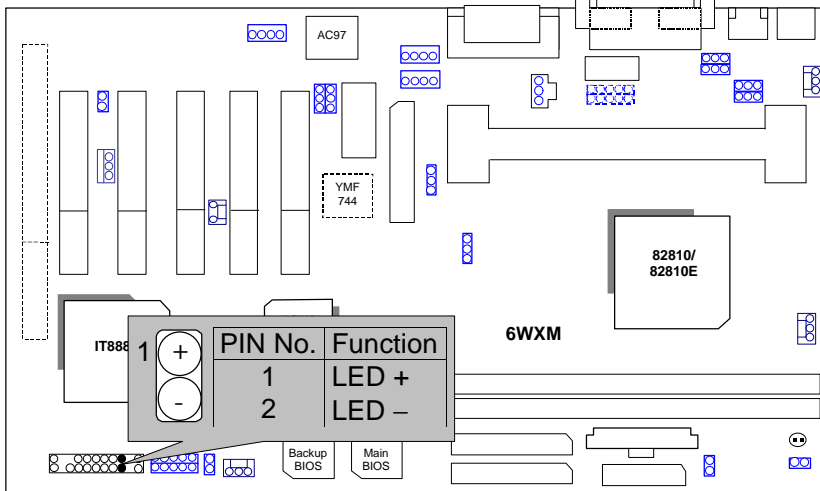
GN : Green Function Switch



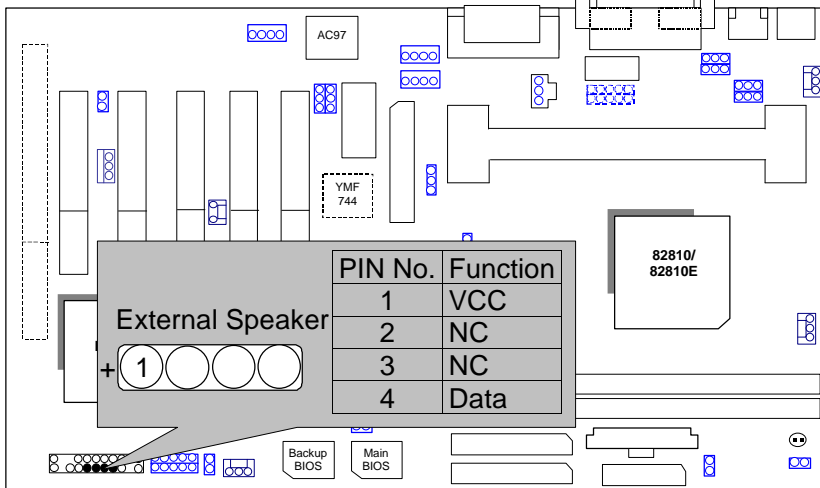
GD : Green Function LED



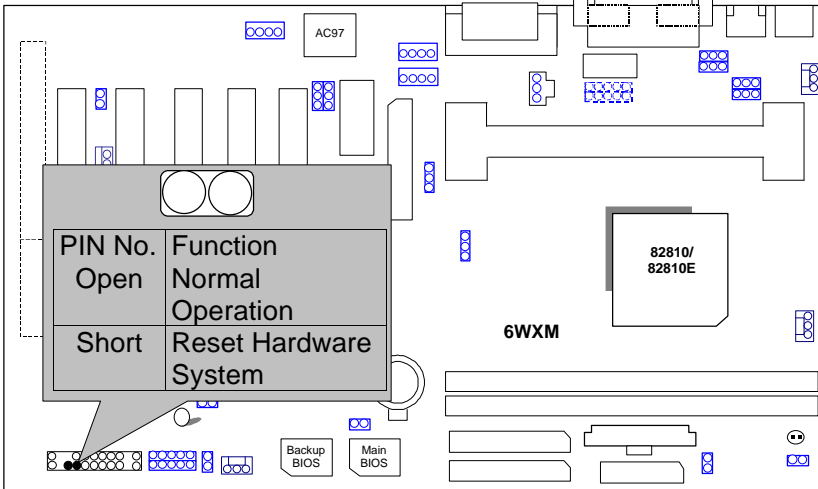
HD : IDE Hard Disk Active LED



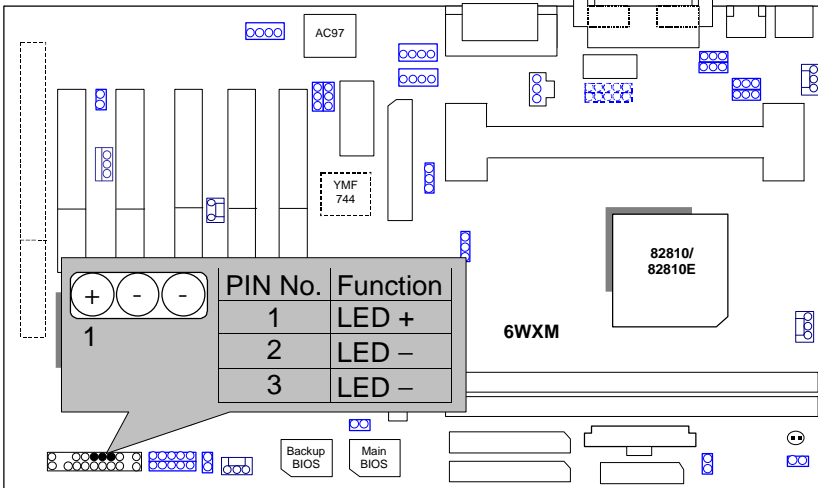
SPKR: External Speaker Connector



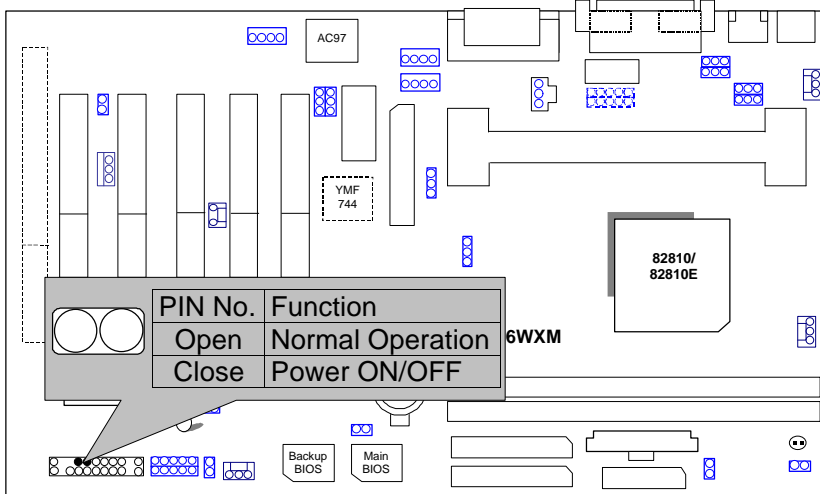
RES : Reset Switch



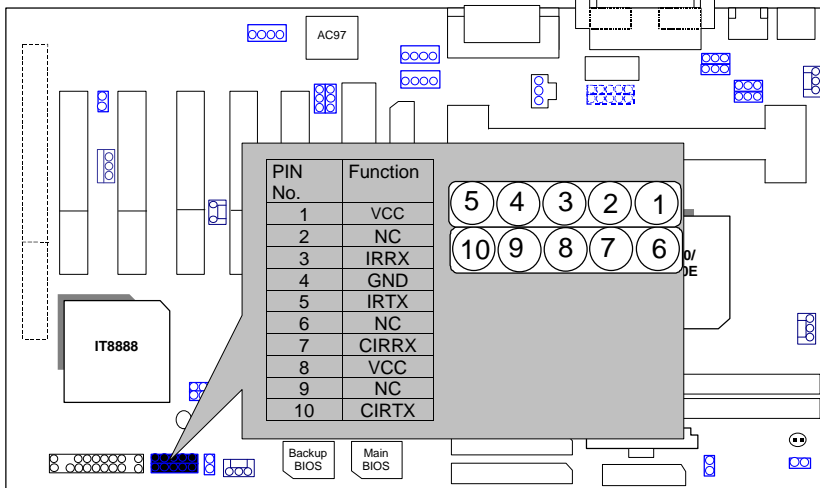
P+P-P- : Power LED Connector (as 3 steps ACPI LED)



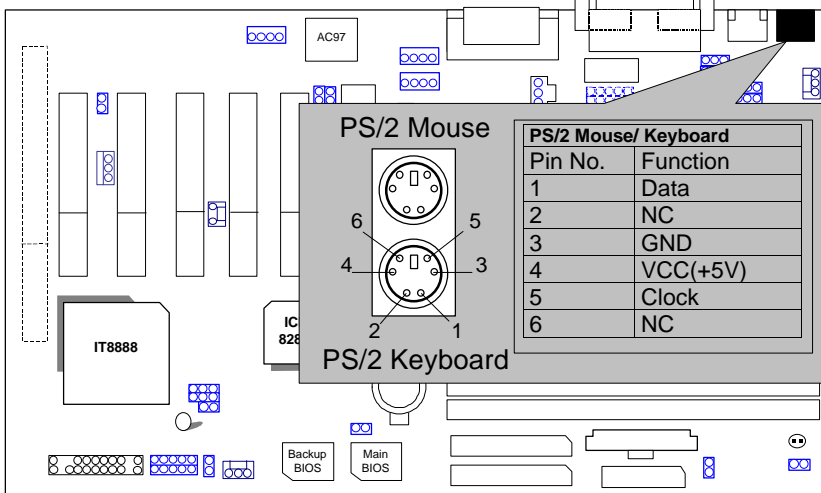
PW: Soft Power Connector



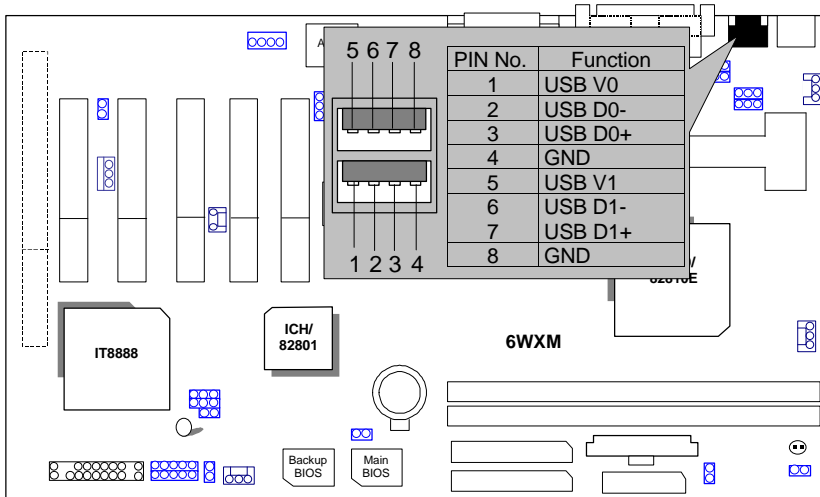
IR : Infrared Connector (IR / CIR)



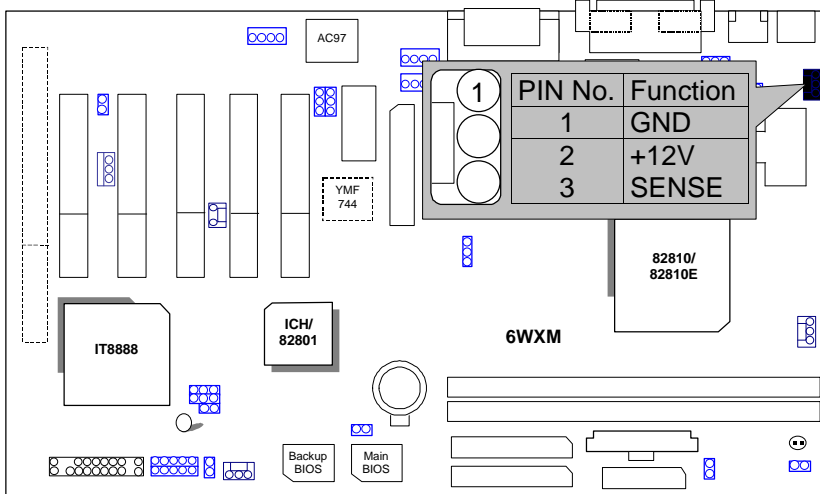
PS/2 Mouse / Keyboard Connector



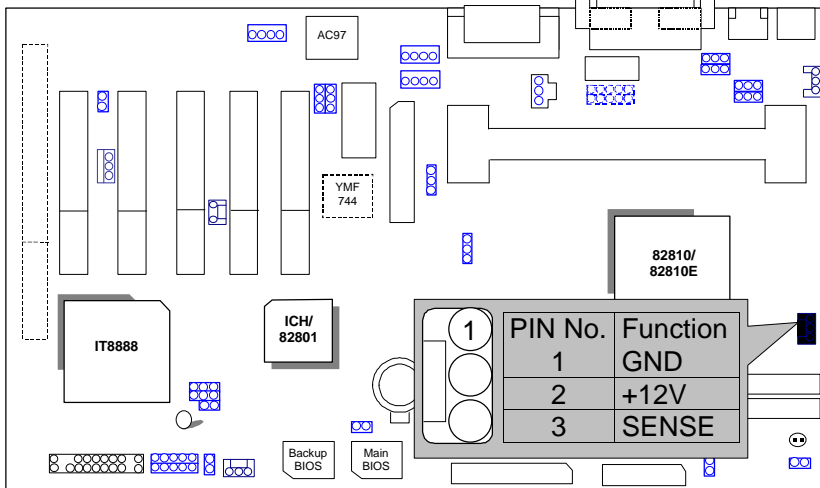
USB : USB Port



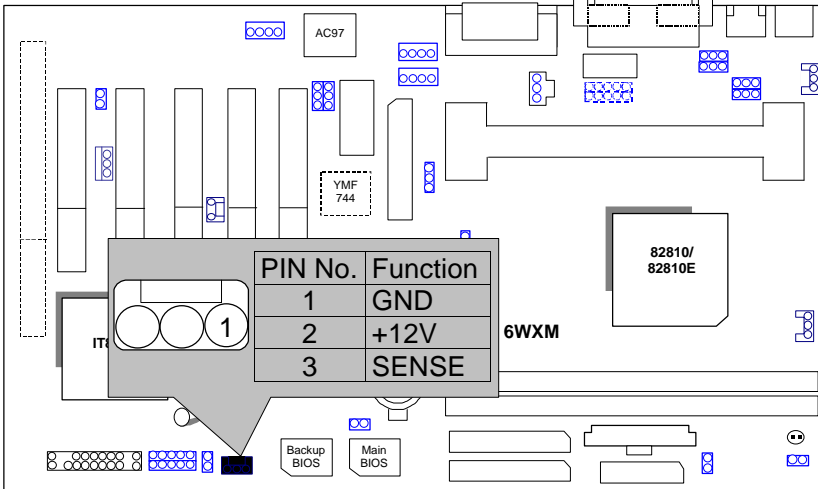
CPU FAN : CPU Cooling Fan Power Connector



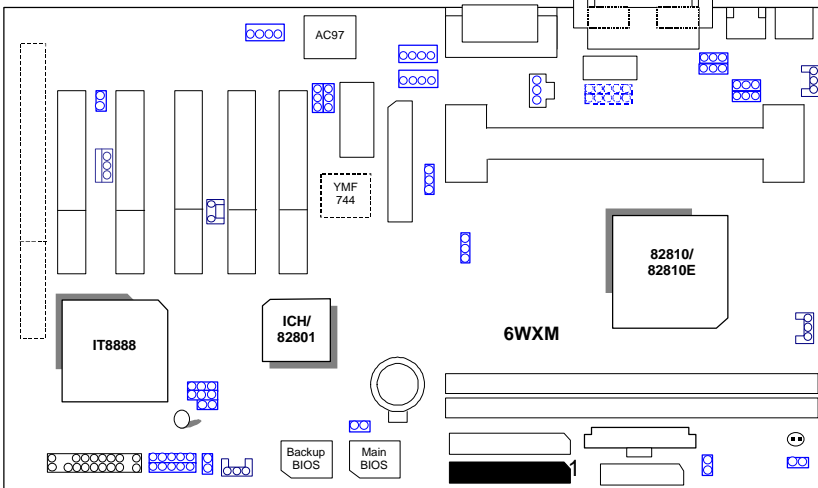
POWER FAN : POWER Cooling Fan Power Connector



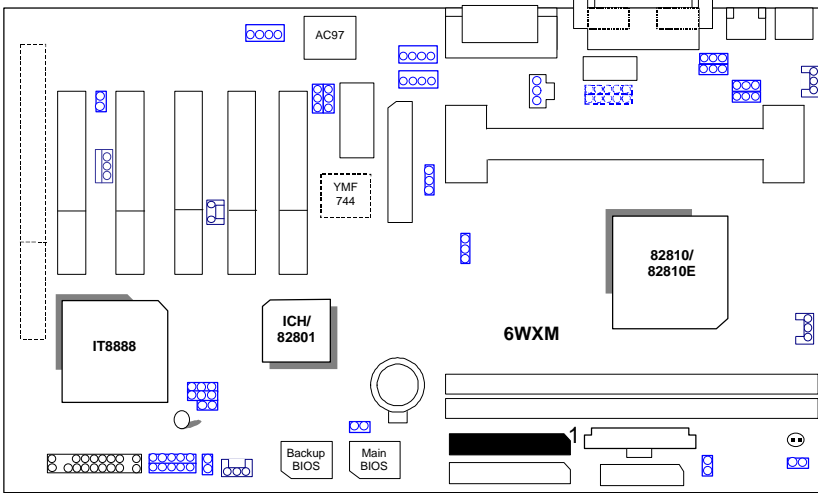
SYSTEM FAN : SYSTEM Cooling Fan Power Connector



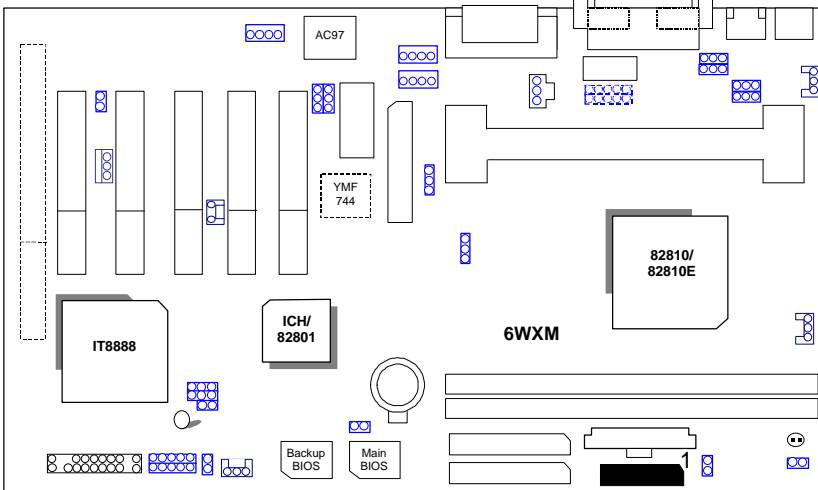
IDE1: For Primary IDE port



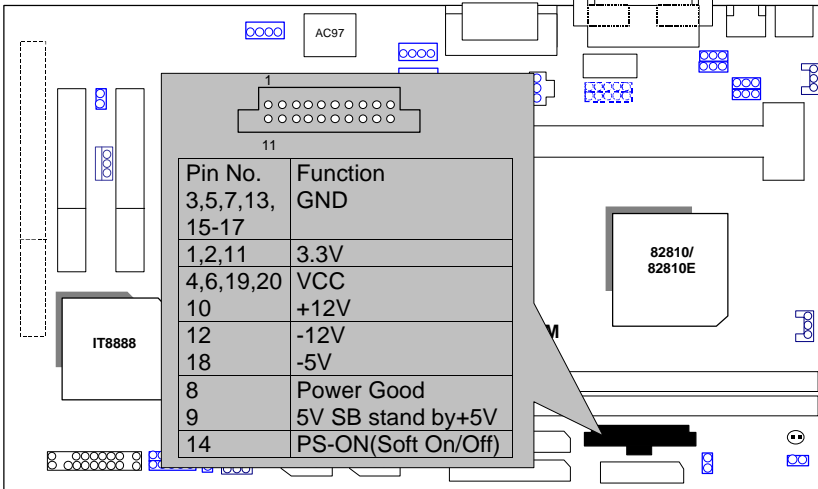
IDE2: For Secondary IDE port



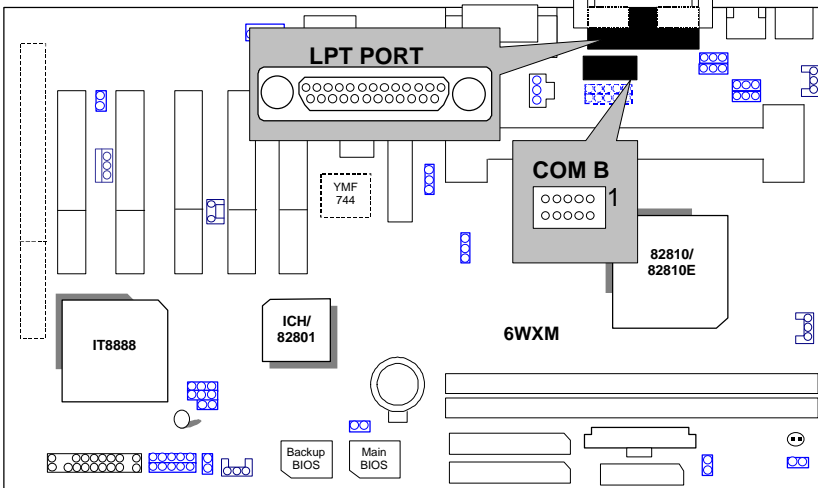
FLOPPY : FLOPPY Port



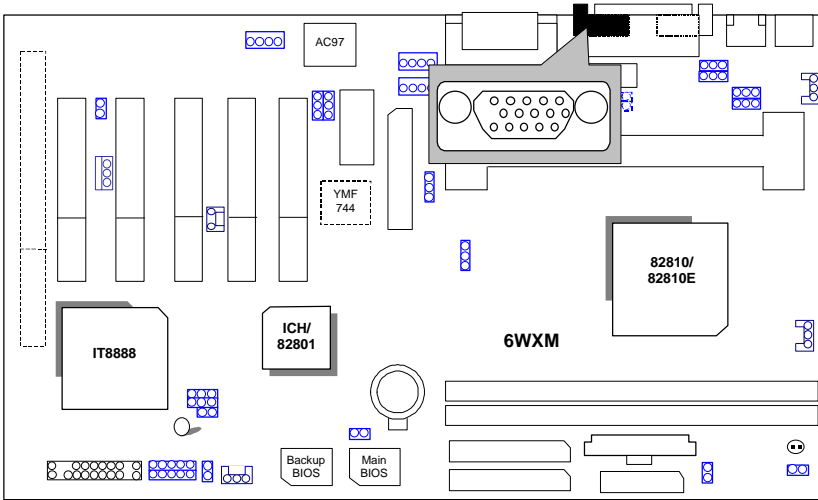
ATX POWER : ATX POWER Connector



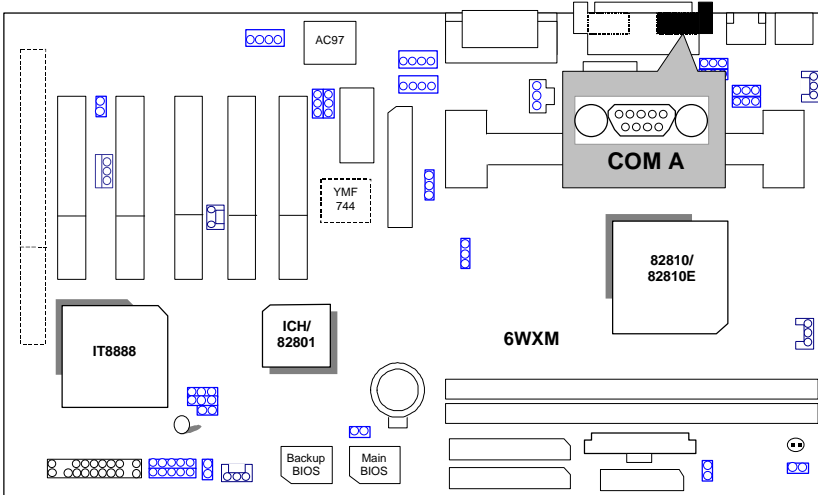
COM B / LPT Port



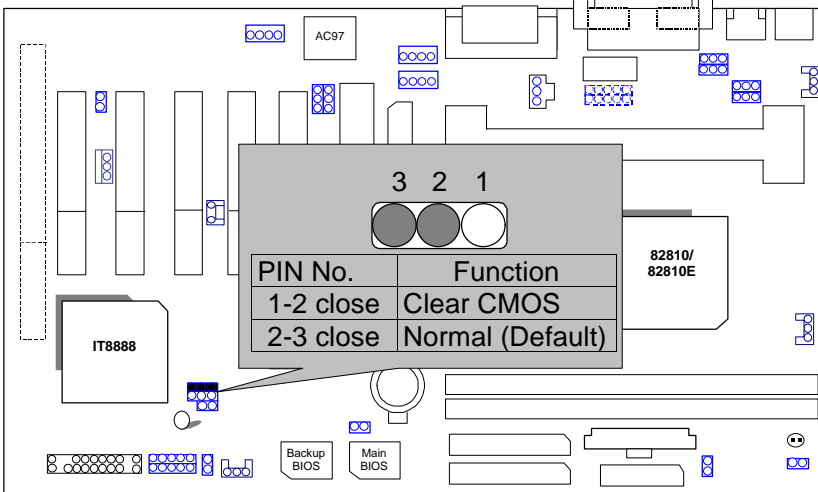
VGA : VGA Port



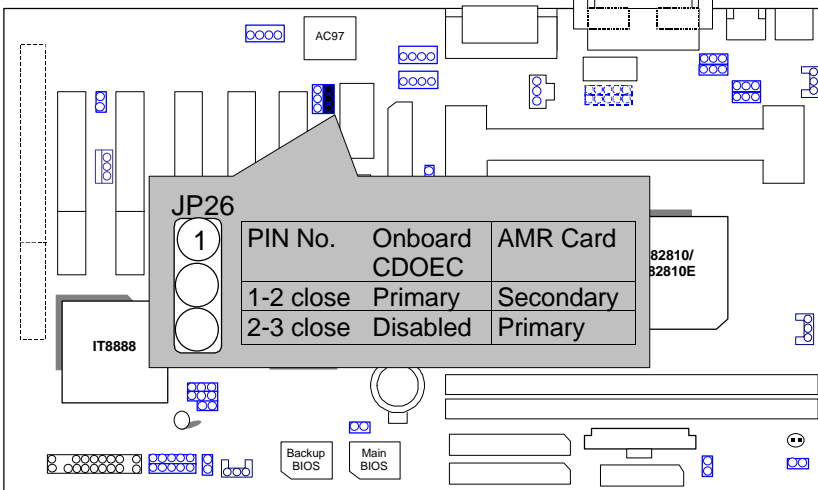
COM A : COM A Port



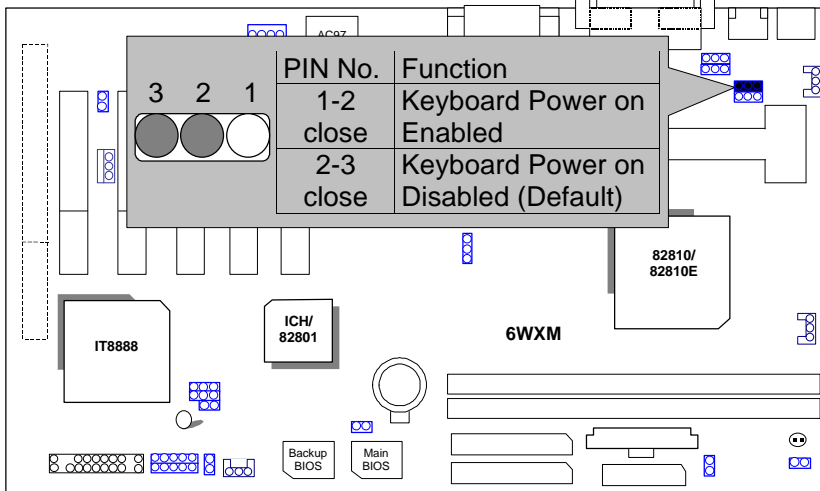
JP13: CLEAR CMOS Function



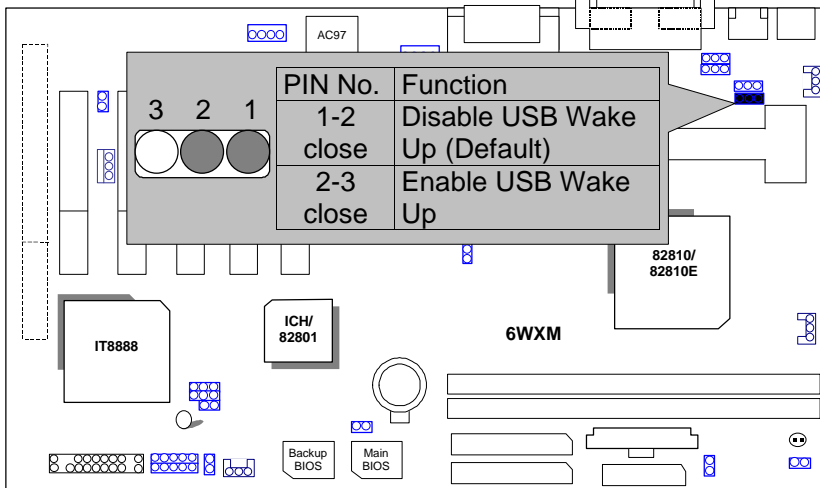
JP26 : AMR
 (JP26 is available when the motherboard use YAMAHA YMF744 Chipset)



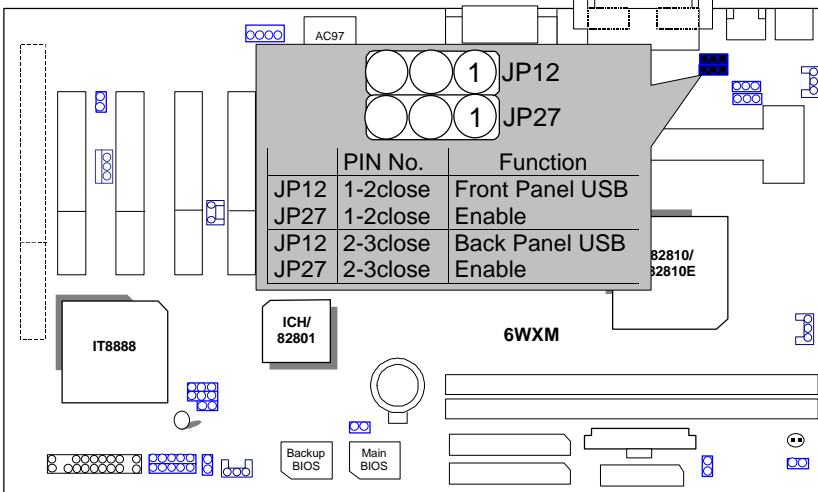
JP3 : Keyboard Power On Selection



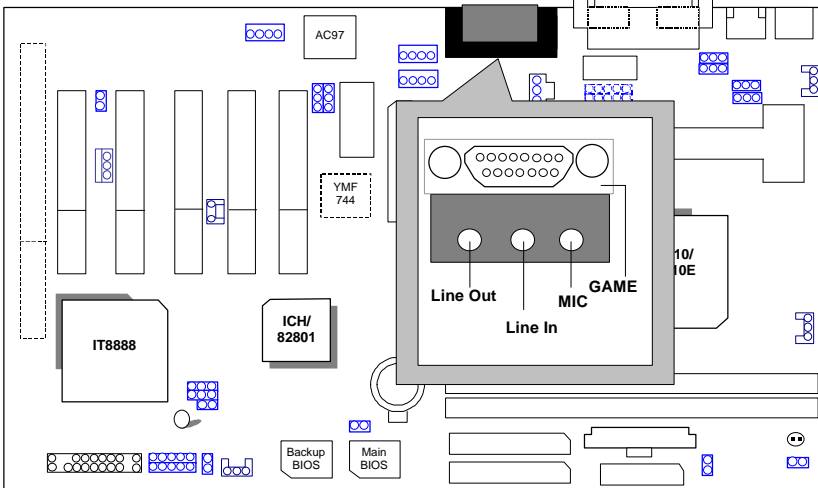
JP25: USB Wake Up Function



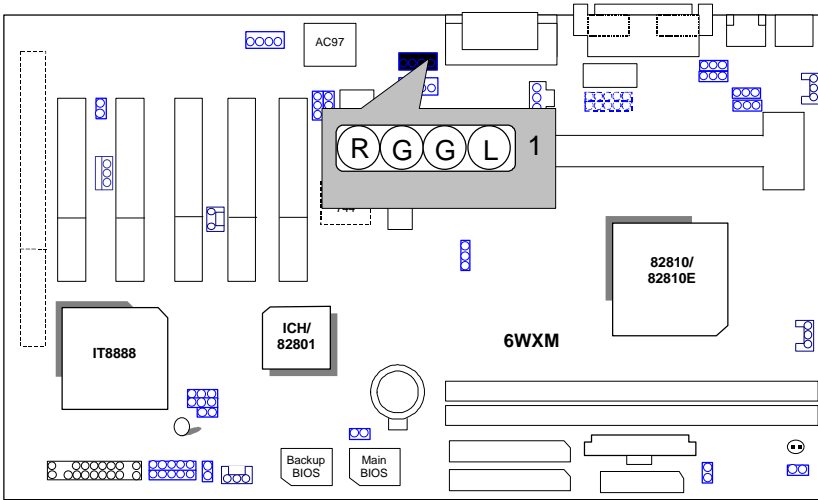
JP12/JP27 : USB Port Selection



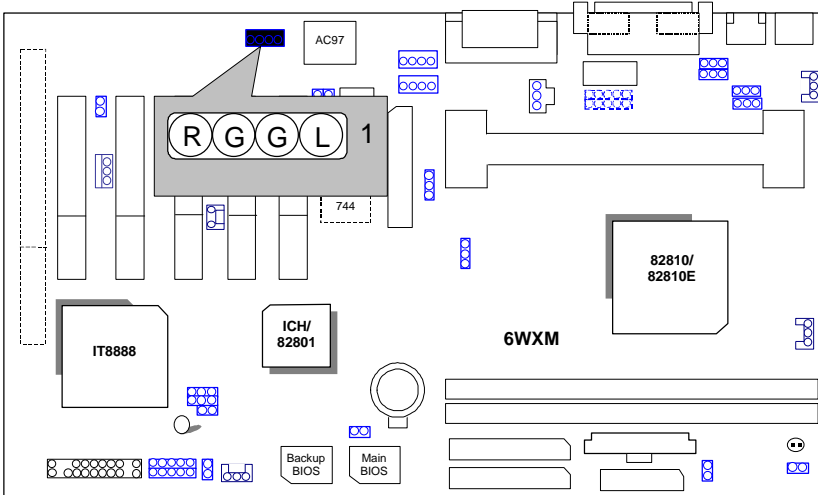
GAME & AUDIO Port



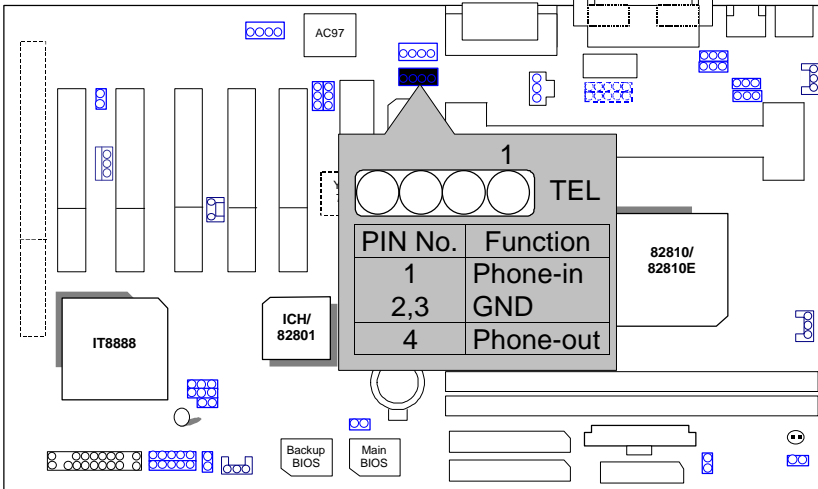
J8: CD Audio Line In



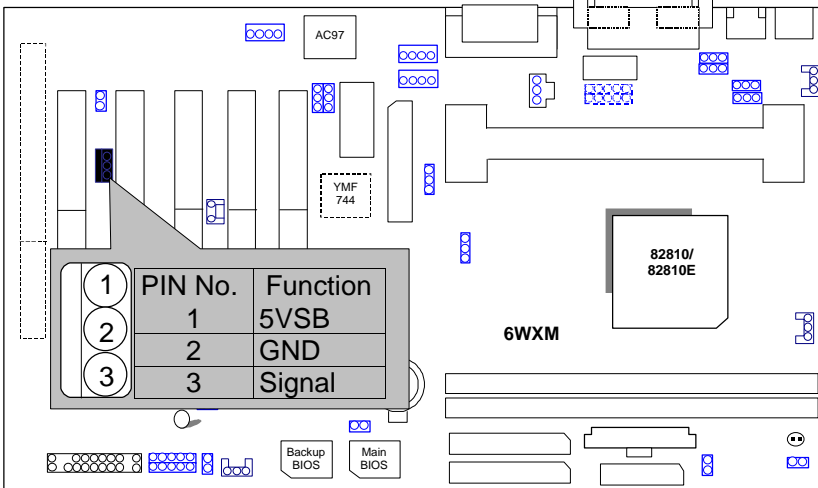
JP17:AUX_IN



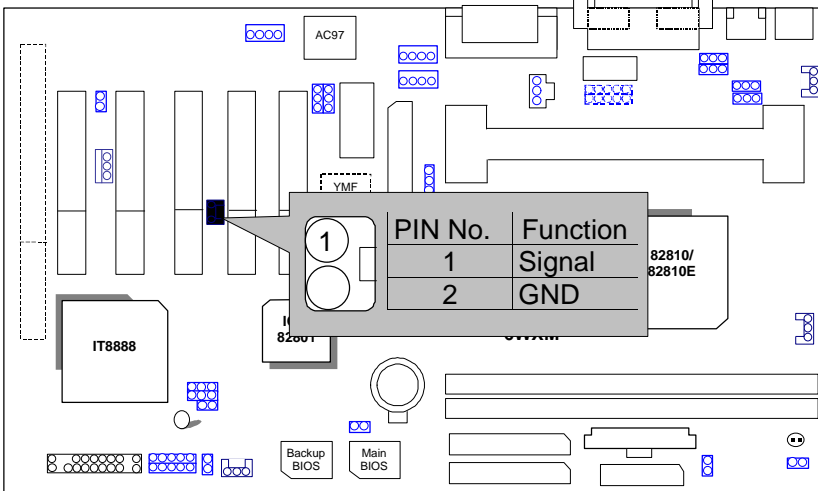
JP5 TEL :The connector is for Modem with internal voice connector.



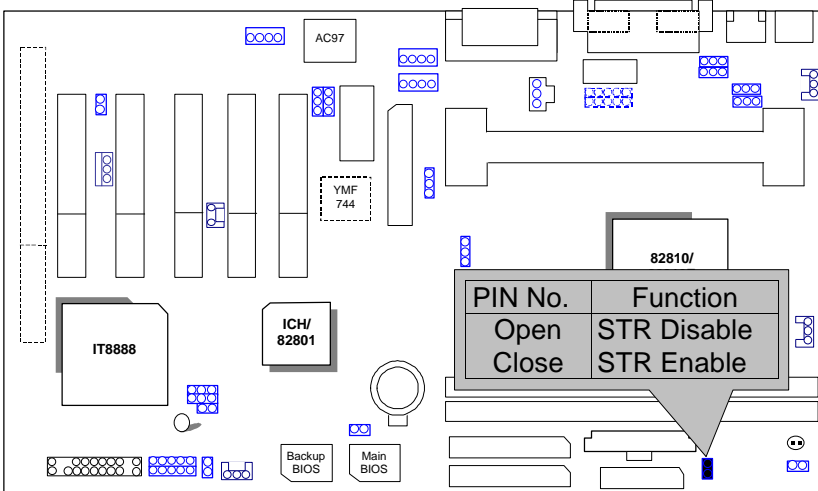
J14: Wake on LAN



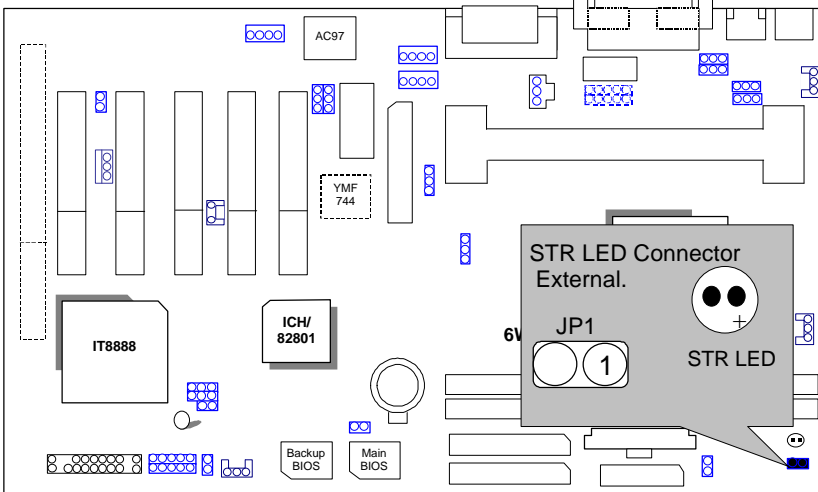
J9 RING PWR ON: Internal Modem Card Ring PWR On



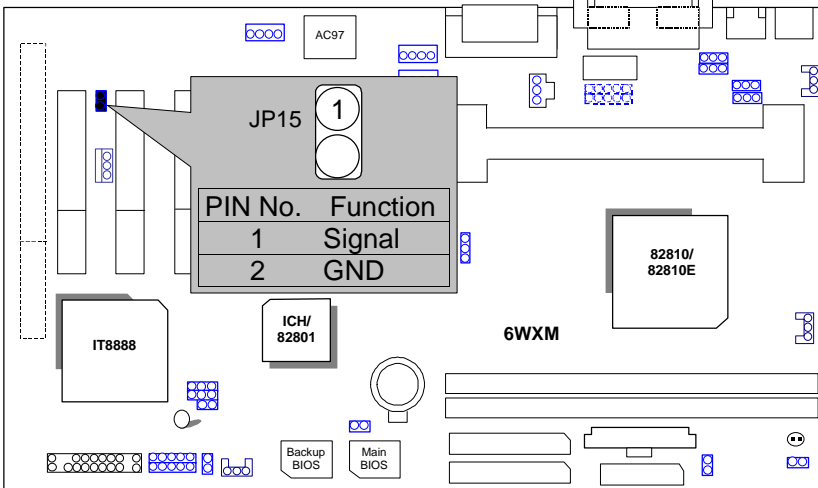
JP4 :Close Function Selection
 (If you want to use STR Function, please set jumper JP4 Closed.)



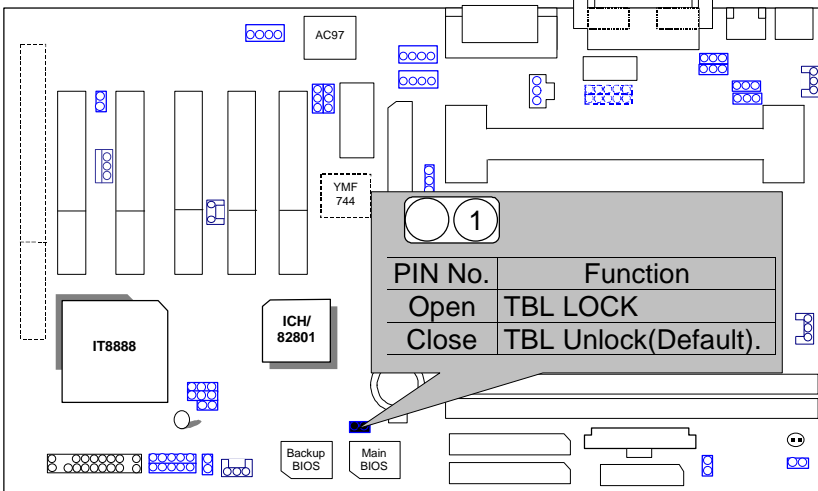
JP1 : STR LED Connector



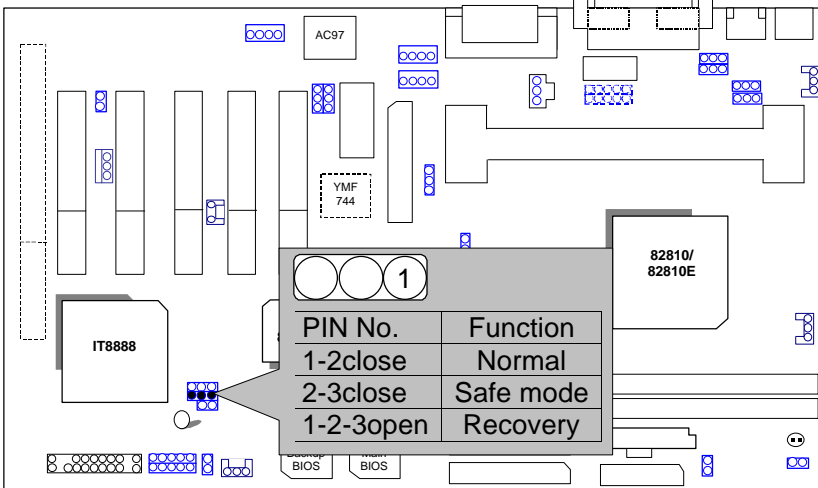
JP15 : CASE OPEN



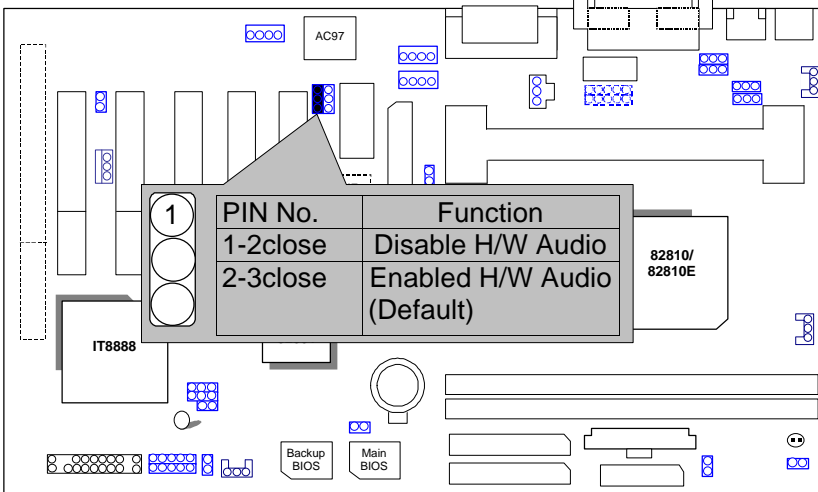
JP9: Top Block Lock



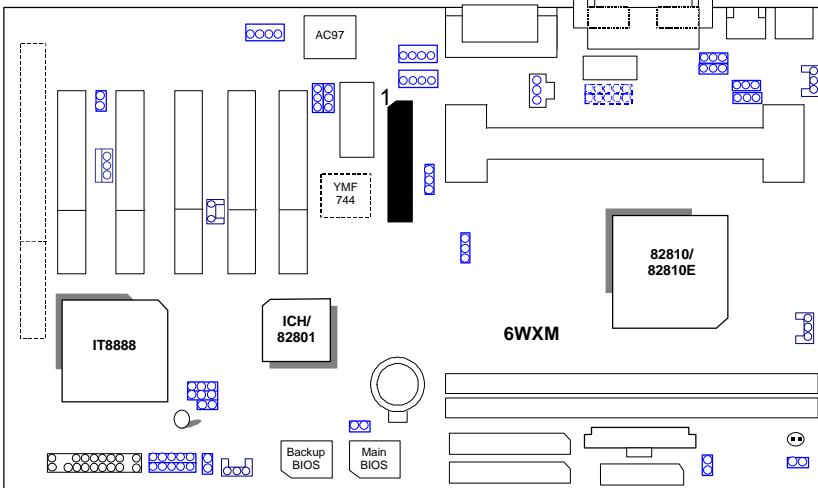
JP16 :Normal / Safe Mode / Recovery



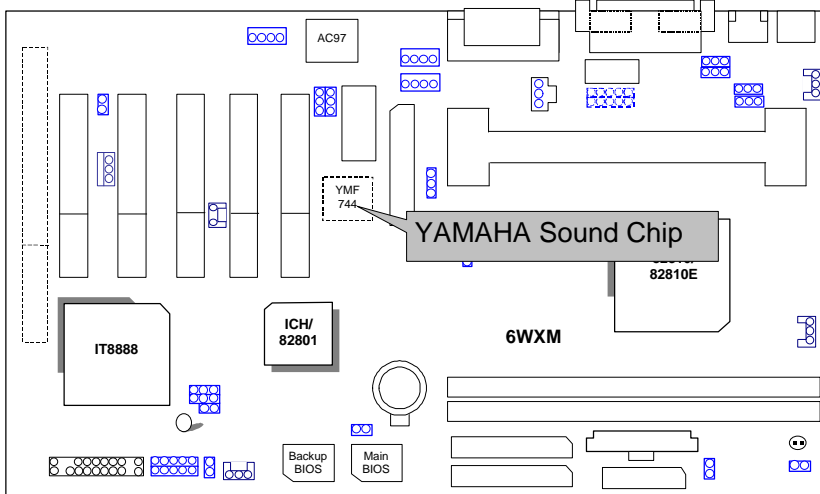
JP7: Onboard H/W Audio Function.



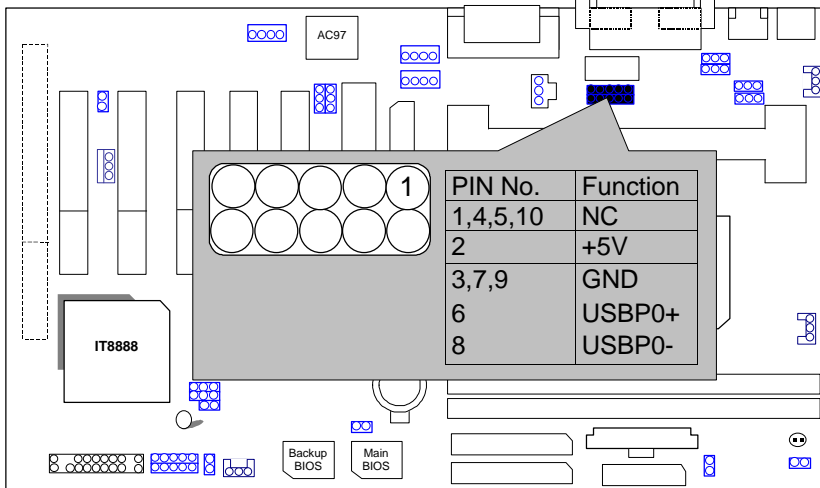
TV/DFP :TV-Out / Digital Flat Panel Daughter card connector.



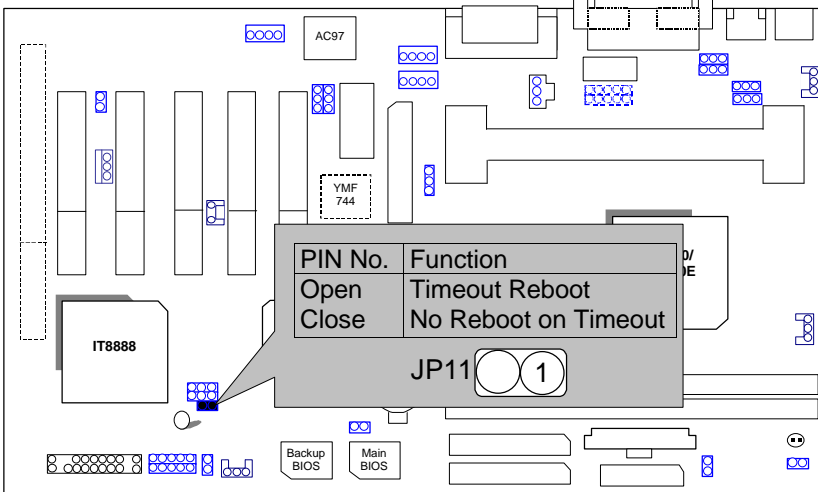
YMF 744 :YAHABA YMF744 (Optional).



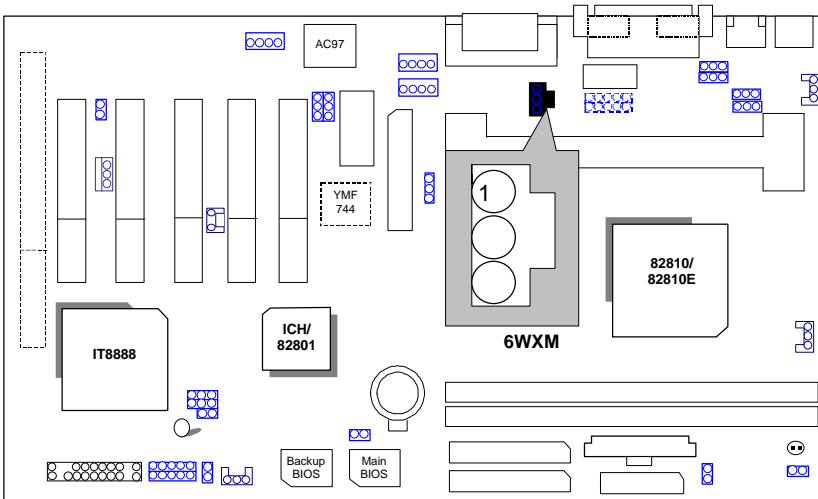
JP10 : Front Panel USB Port (Optional)



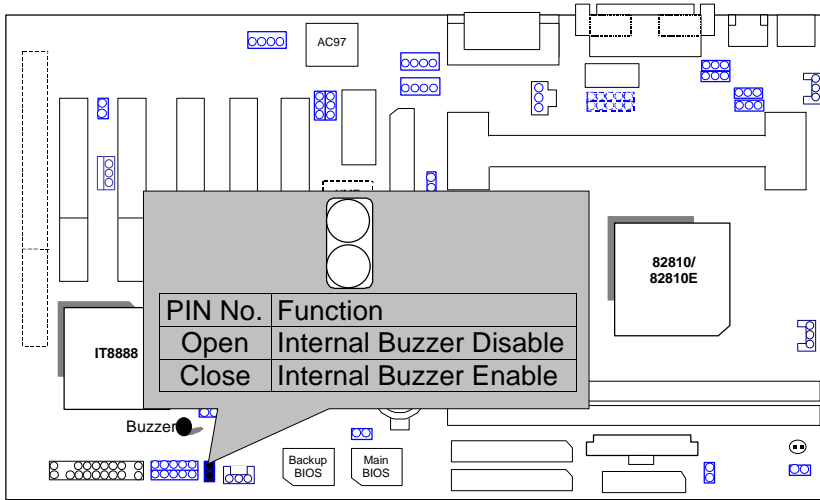
JP11 : Timeout Reboot Function



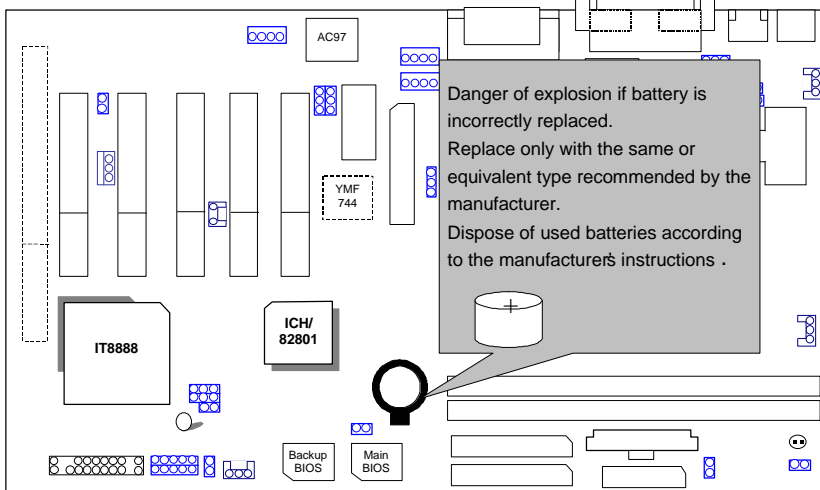
JP24: SPDIF (The SPDIF output is capable of providing digital audio to external speakers or compressed AC3 data to an external Dolby Digital decoder.)



JP14: Buzzer Enable (Optional)



BAT1: For Battery



III. Top Performance Test Setting:

The following performance data list is the testing results of some popular benchmark testing programs.

Users have to modify the value for each item in chipset features as follow For top performance setting.

CMOS Setup Utility-Copyright(C) 1984-1999 Award Software			
Advanced Chipset Features			
		Item Help	
SDRAM CAS Latency Time	2	Menu Level ▶	
SDRAM Cycle Time Tras/Trc	5/7		
SDRAM RAS-to-CAS Delay	2		
SDRAM RAS Precharge Time	2		
DRAM Page Closing Policy	Precharge Bank		
System BIOS Cacheable	Enabled		
Video BIOS Cacheable	Enabled		
Delayed Transaction	Enabled		
On-Chip Video Window Size	64MB		
* Onboard Display Cache Setting *			
Initial Display Cache	Enabled		
Display Cache Timing	Fast		
↑↓→ ← Move Enter:Select +/-/PU/PD:Value F10:Save ESC:Exit F1:General Help F5:Previous Values F6:Fail-Safe Defaults F7:Optimized Defaults			

*The above settings have to modify according to different kinds of CPU, SDRAM, and peripherals for your system to work properly.

These data are just referred by users, and there is no responsibility for different testing data values gotten by users. (The different Hardware & Software configuration will result in different benchmark testing results.)

- CPU Intel® Pentium III 500MHz Processor
- DRAM (128x 1) MB SDRAM
(Winbond 902WB W986408BH-8H)
- CACHE SIZE 512 KB included in CPU
- DISPLAY Onboard i810 chipset
- STORAGE Onboard IDE (IBM DJNA-371800)
- O.S. Windows NT™4.0 SPK4
- DRIVER Display Driver at 1024 x 768 x 16bits colors x 75Hz.

Processor	Intel Pentium® III 500MHz (100x5)
Winbench99	
CPU mark99	36.8
FPU Winmark	2560
Business Graphics	154
Business Disk	3700
Hi-End Disk	6300
Hi-End Graphics	345
Winstone99	
Business	29.9
Hi-End	24.4